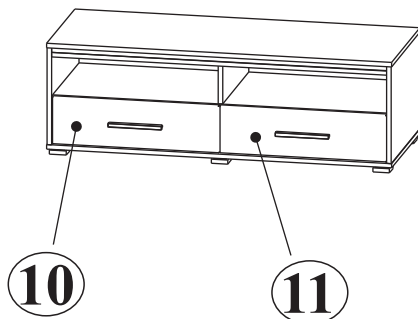
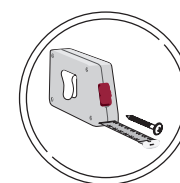
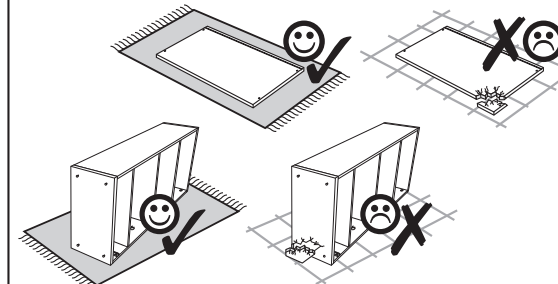
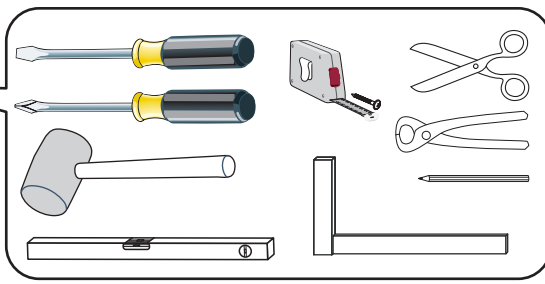
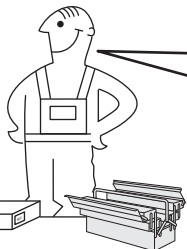
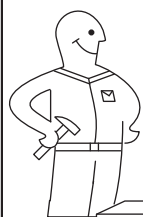
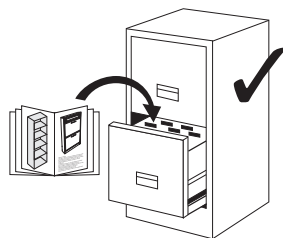
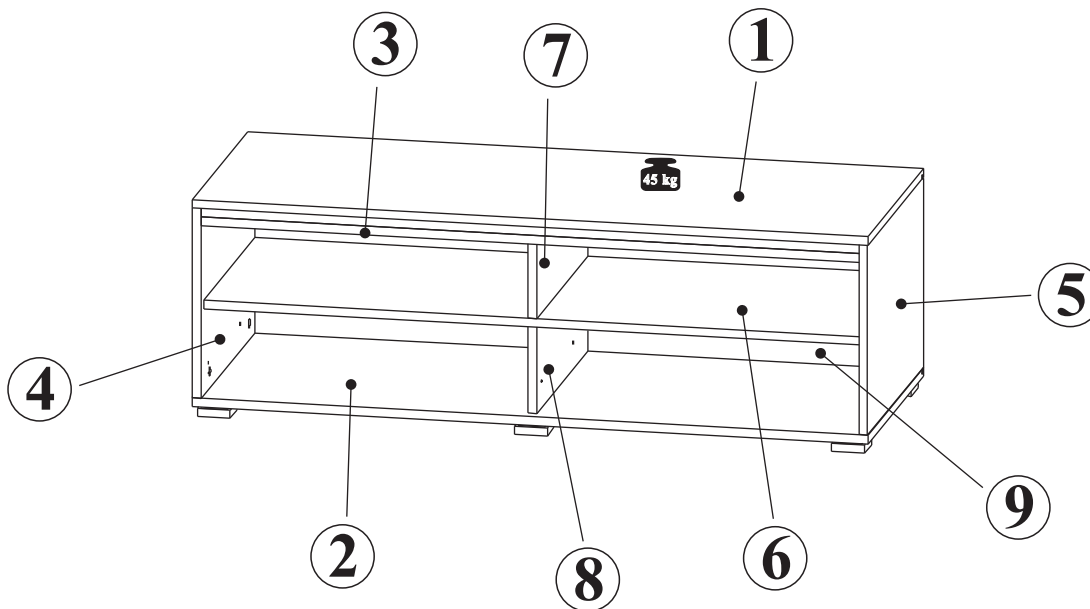
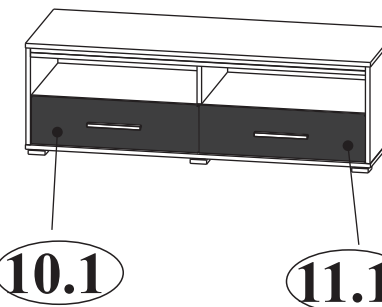


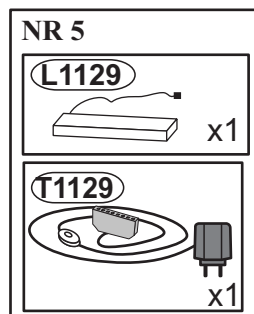
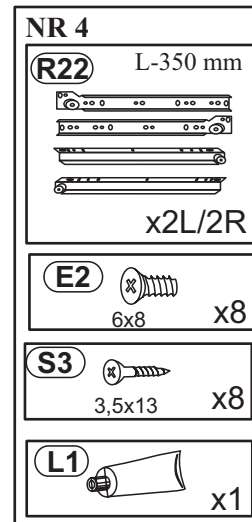
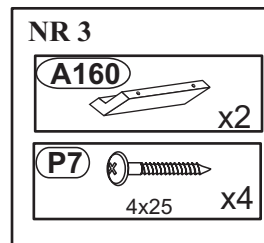
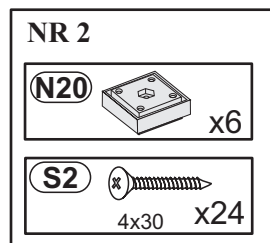
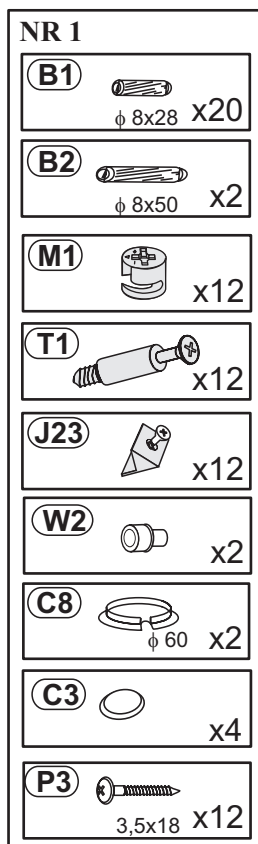


option :A

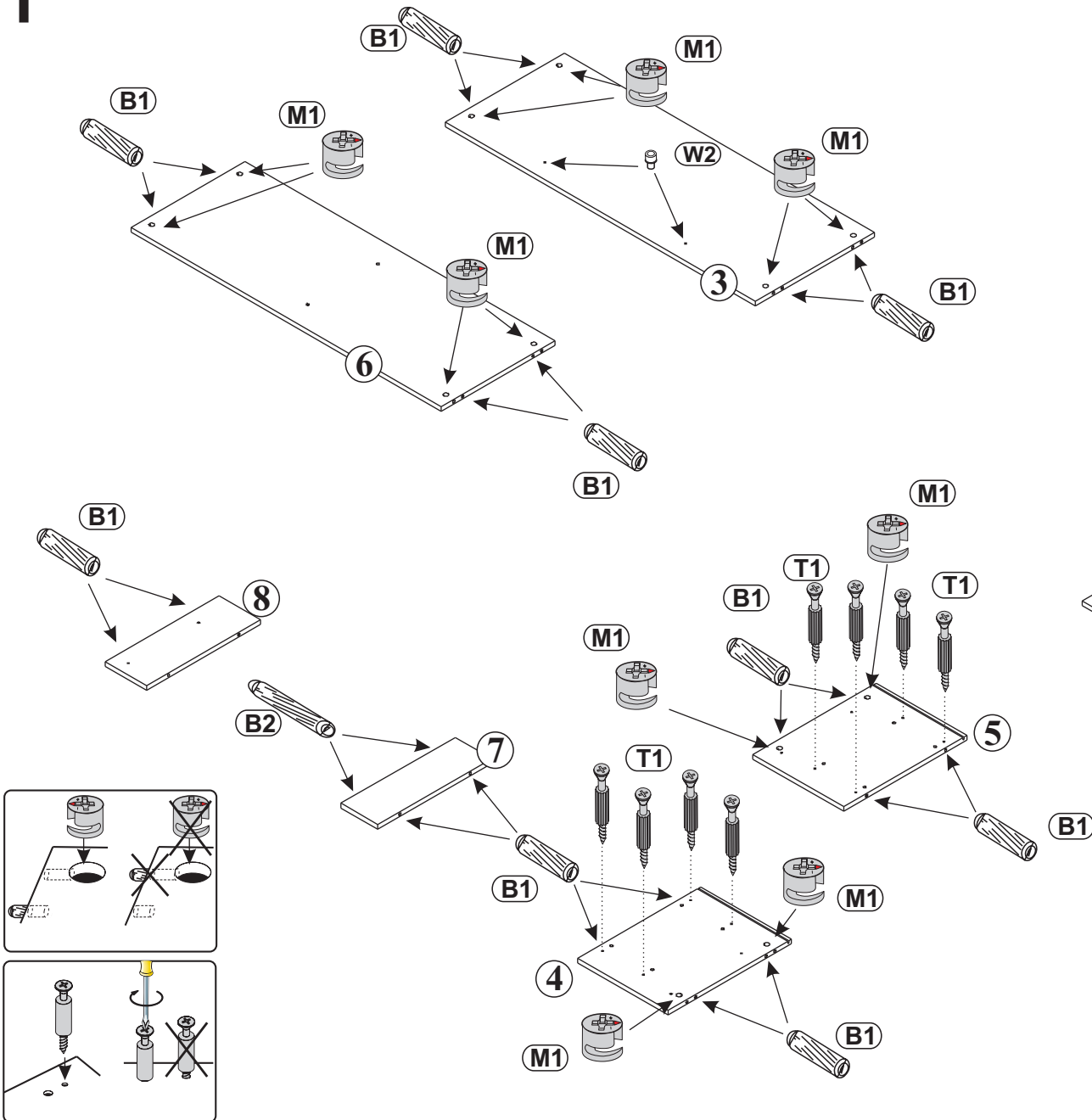


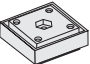

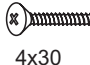
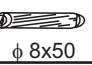



option :B

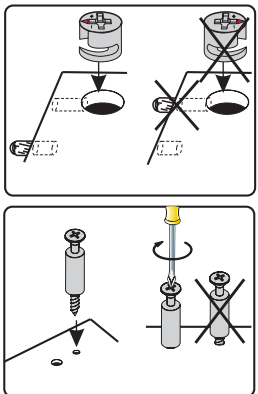
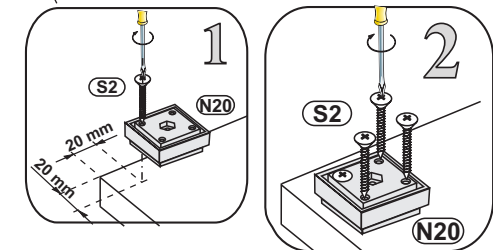
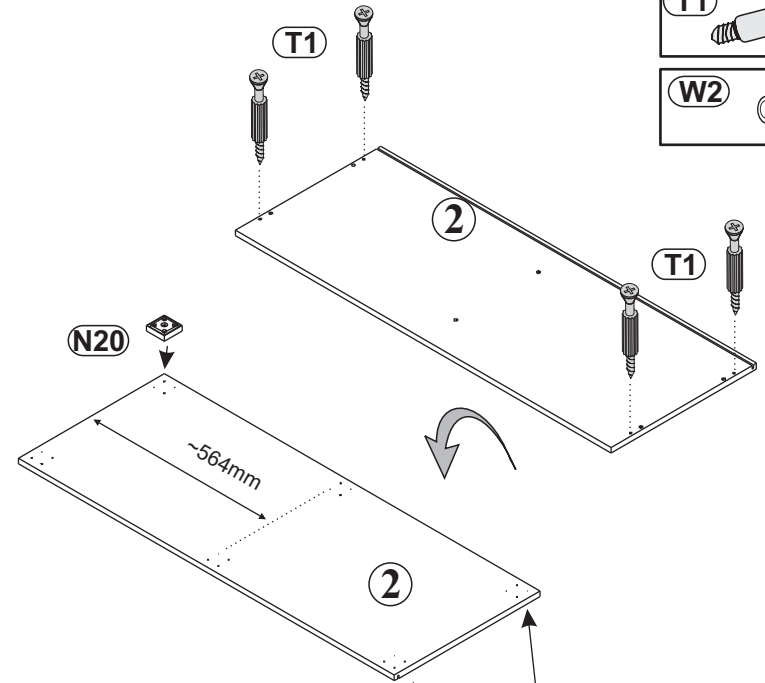




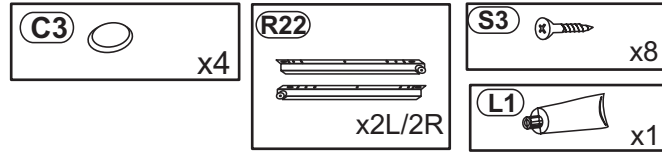
1



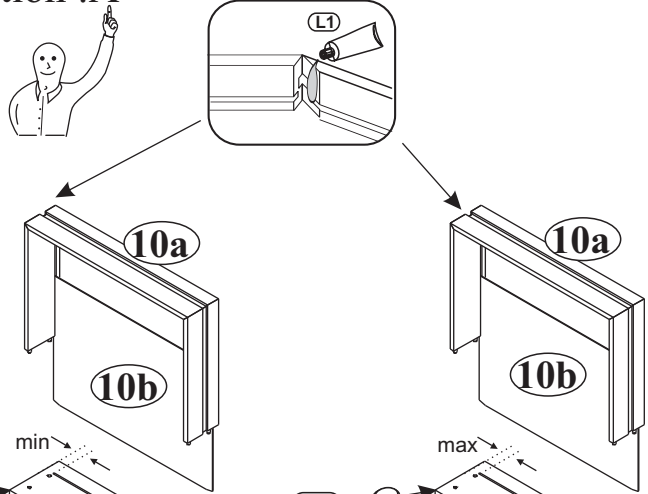
(N20)  x6	(B1)  x20 φ 8x28
(S2)  4x30 x24	(B2)  x2 φ 8x50
(M1)  x12	(T1)  x12
(W2)  x2	



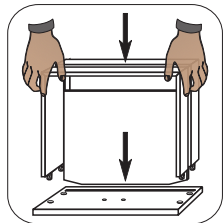
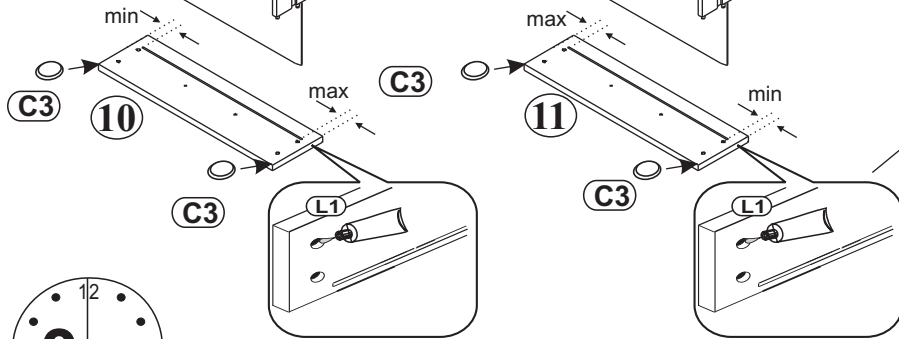
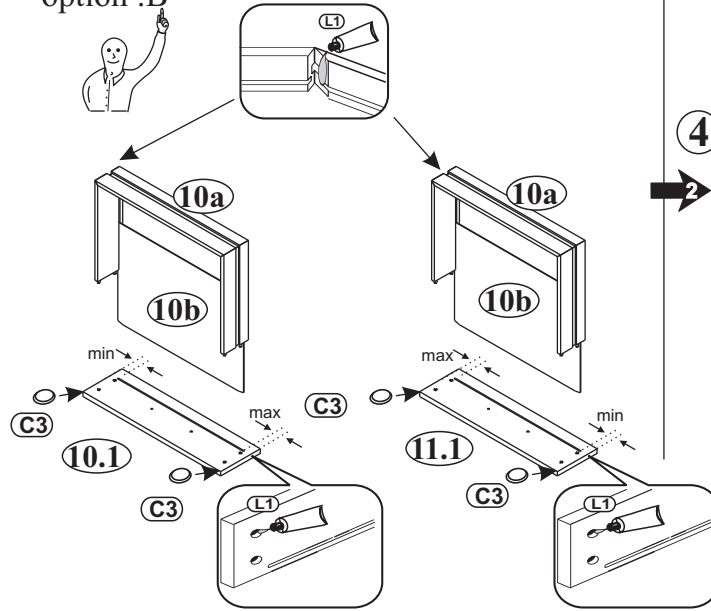
2



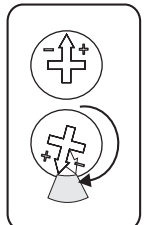
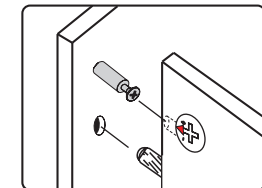
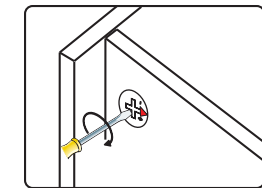
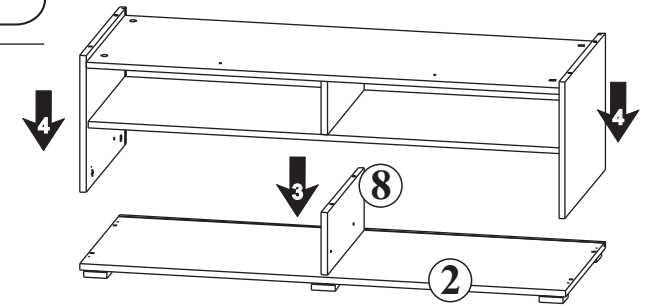
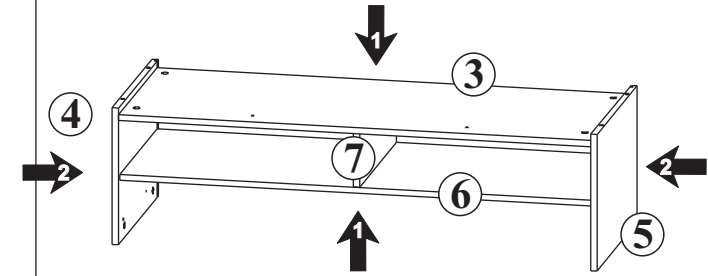
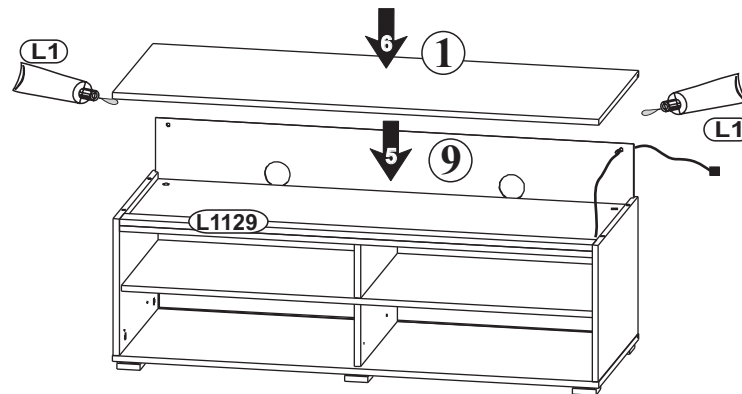
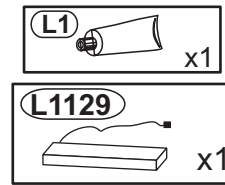
option :A



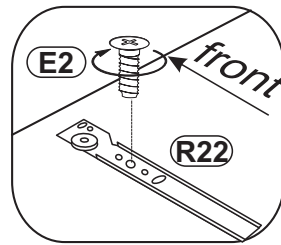
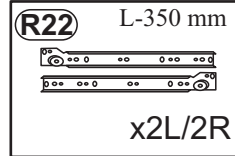
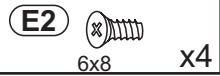
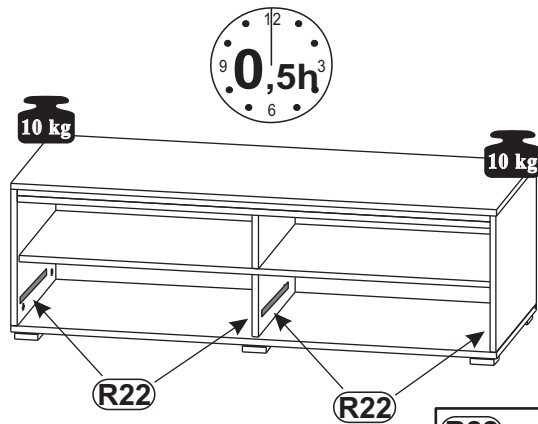
option :B



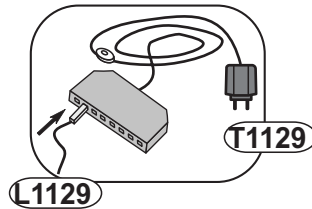
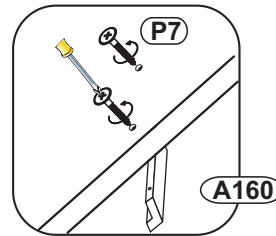
3



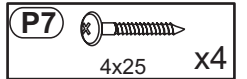
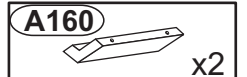
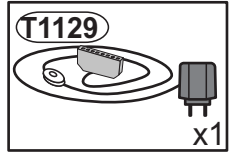
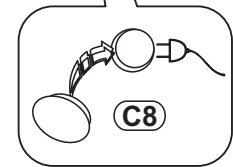
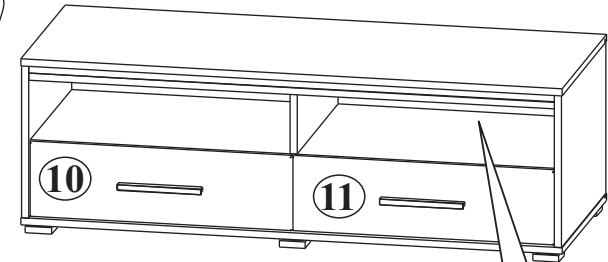
4



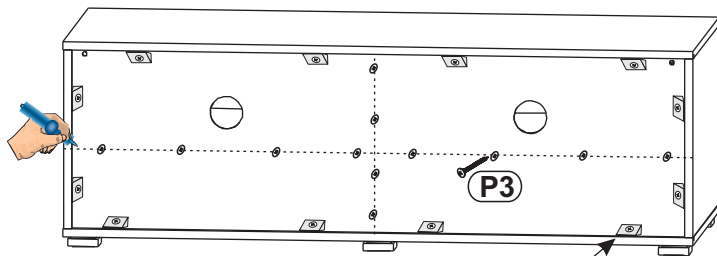
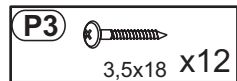
6



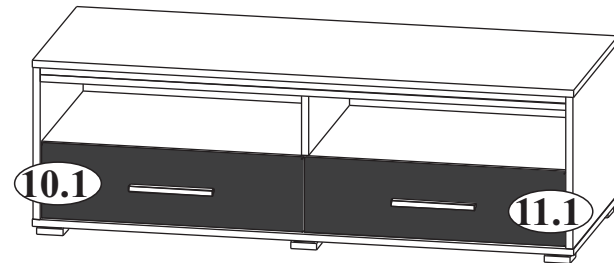
option :A



5



option :B



Uwaga!!
Achtung!!

