

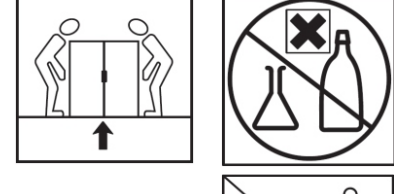
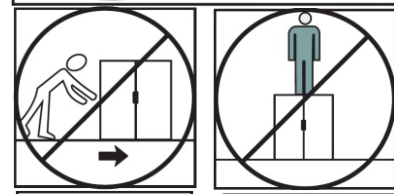
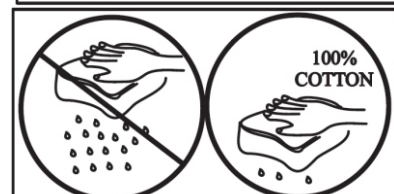
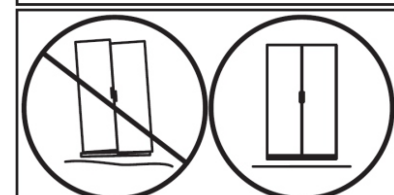
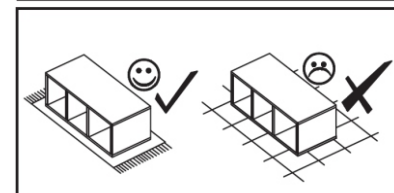
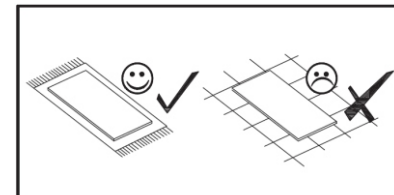
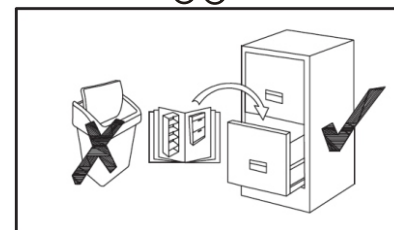
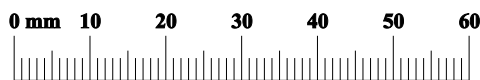
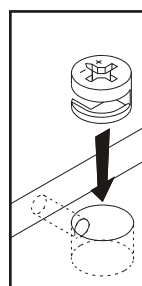
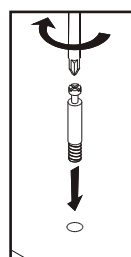
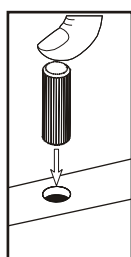
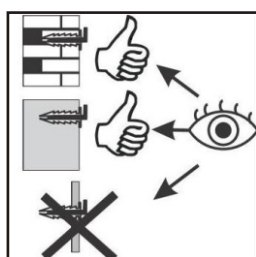
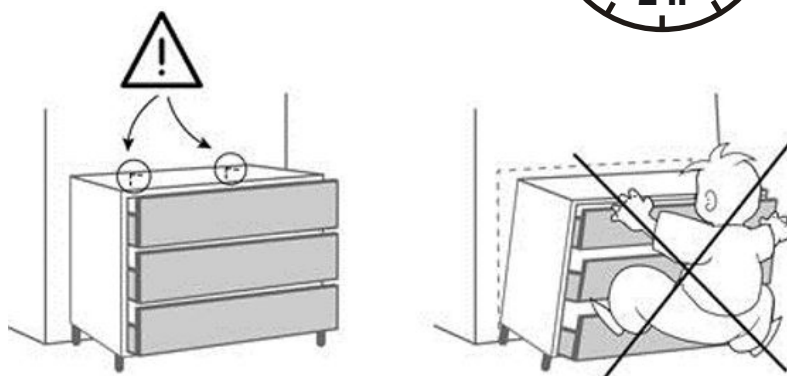
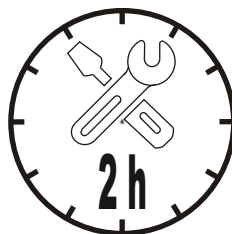
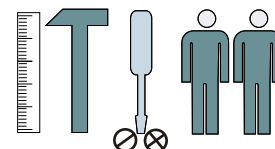
# MOUNTAIN KOMMODE 1

1/9

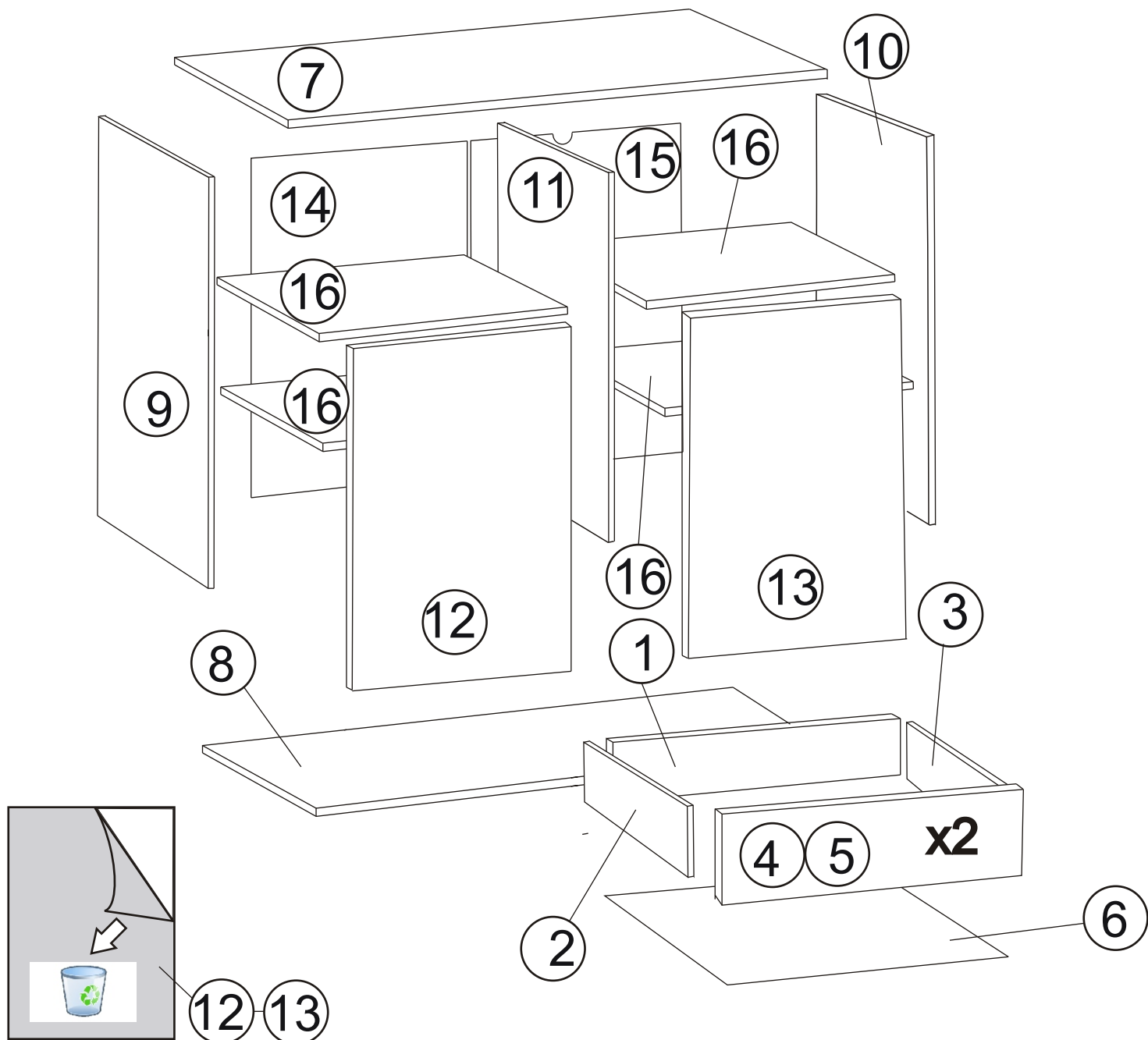


**meble Lokmed**

wyprodukowano dla / made for / produziert für  
**BEGA GRUPPE**  
 producent: **MEBLE OKMED** POLAND



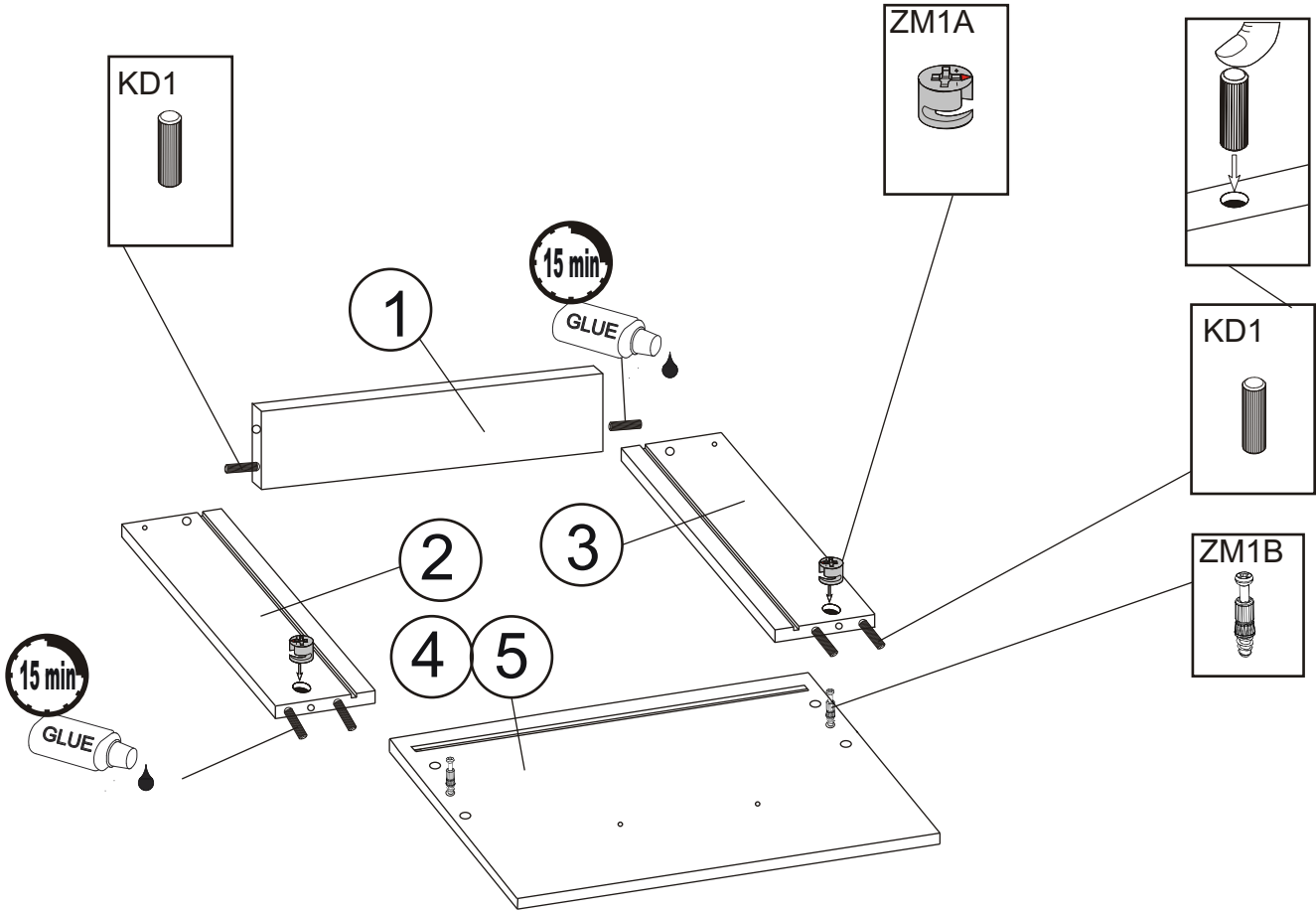
KRW1W11 x1	ZM1 Ø16 x4	KD1 x24	ZM1A x10	ZM1B x10	K1 x10	W1 ø3x16 x13	PL1 x7	
KS1 x1	PQ1/PQ2 x2	PP x16	KK1 x1	SS6 x5	S1 x10	Z1P x4	Z1 x4	
						W4 4x13 x8	U47 x4	U26A 3,5x27 x8



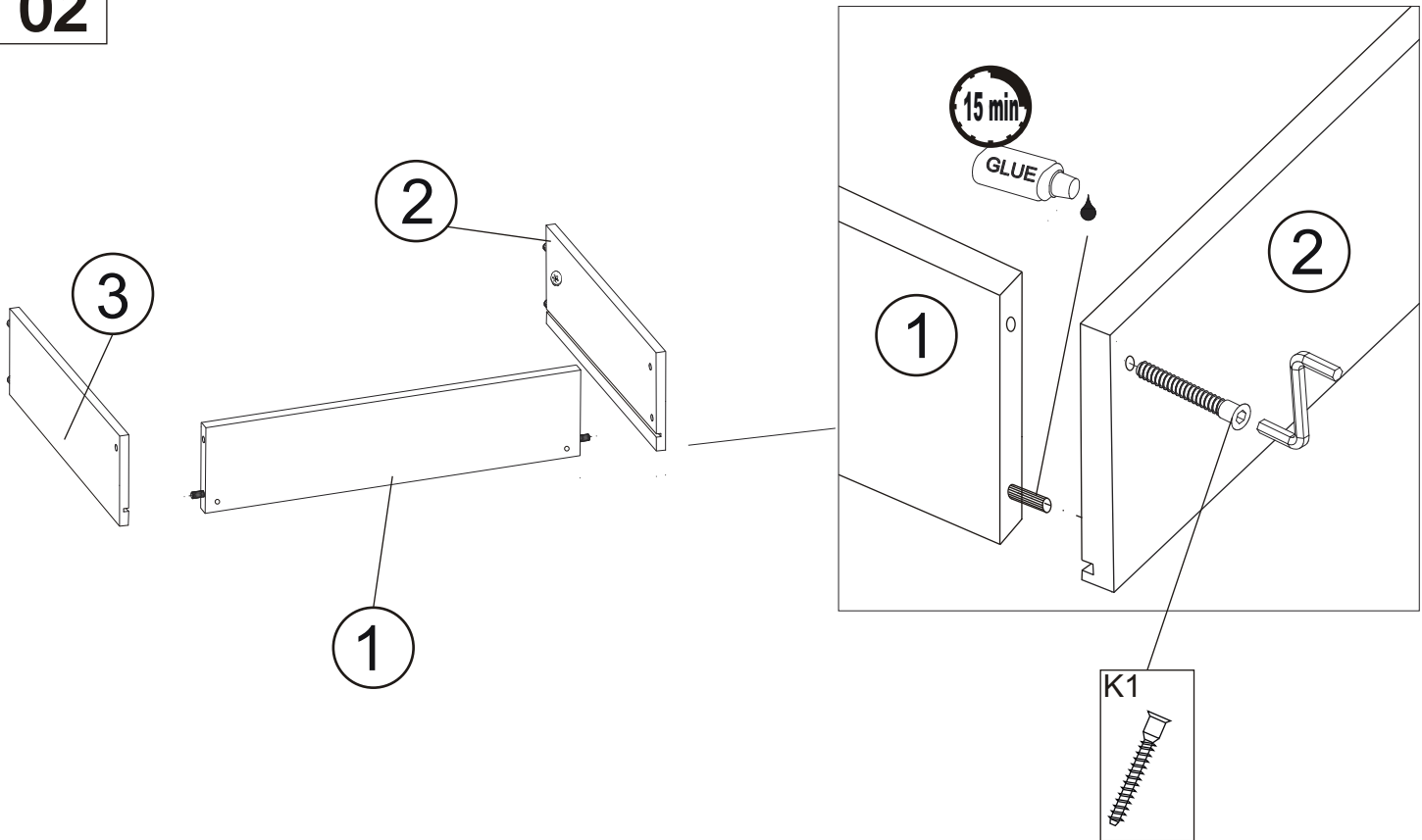
1/2	7	22x370x850	x1
	8	22x370x850	x1
	9	22x369x1081	x1
	10	22x369x1081	x1
	2	16x180x310	x2
	3	16x180x310	x2

2/2	4	16x398x266	x1
	5	16x398x266	x1
	11	16x333x1081	x1
	1	16x167x355	x2
	16	16x318x394	x4
	13	16x398x804	x1
	12	16x398x804	x1
	14	3x411x1097	x1
	15	3x411x1097	x1
6	3x315x369	x2	

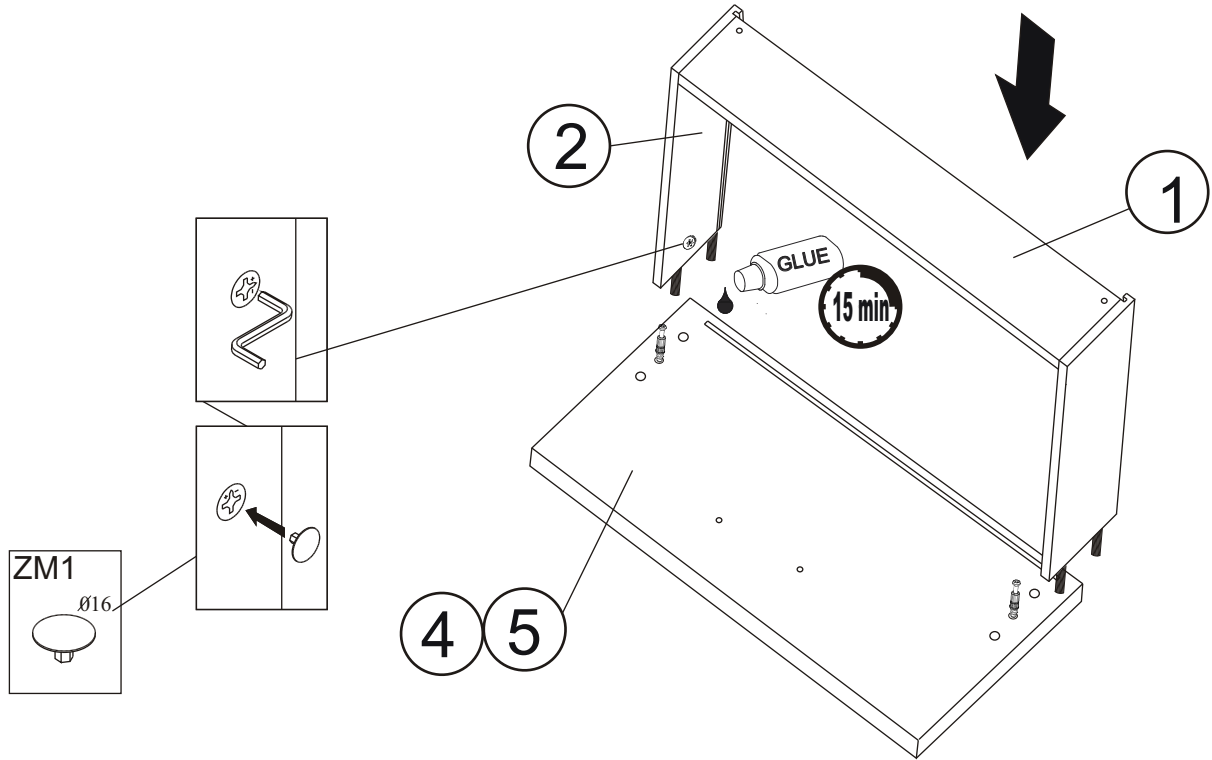
## 01



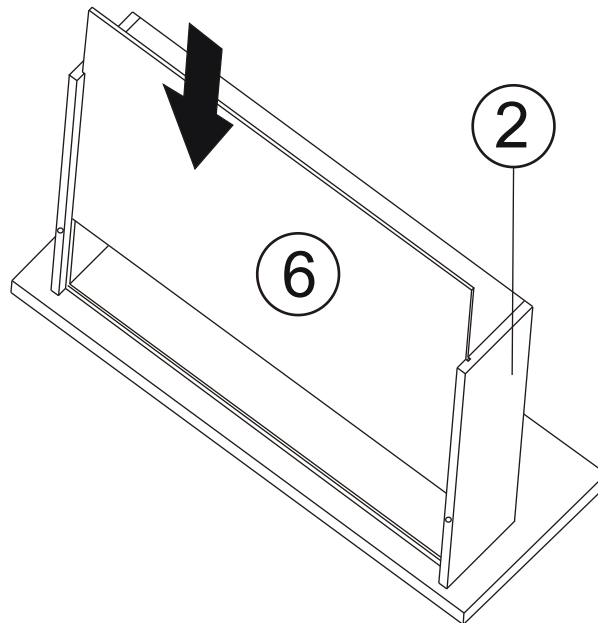
## 02



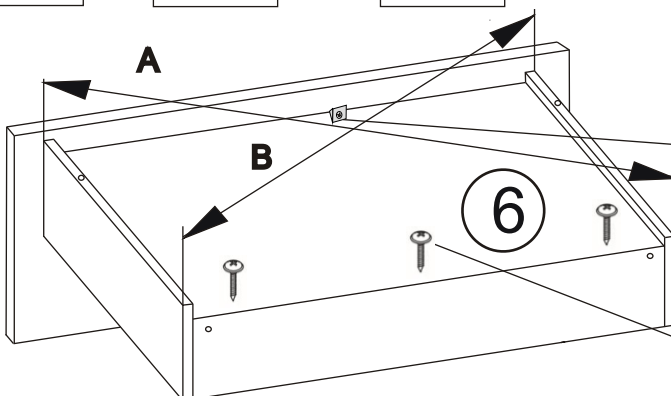
03



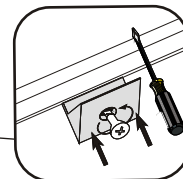
04



05 → 05a → 05b

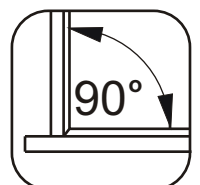
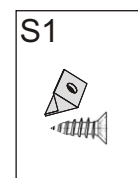
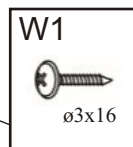


05b

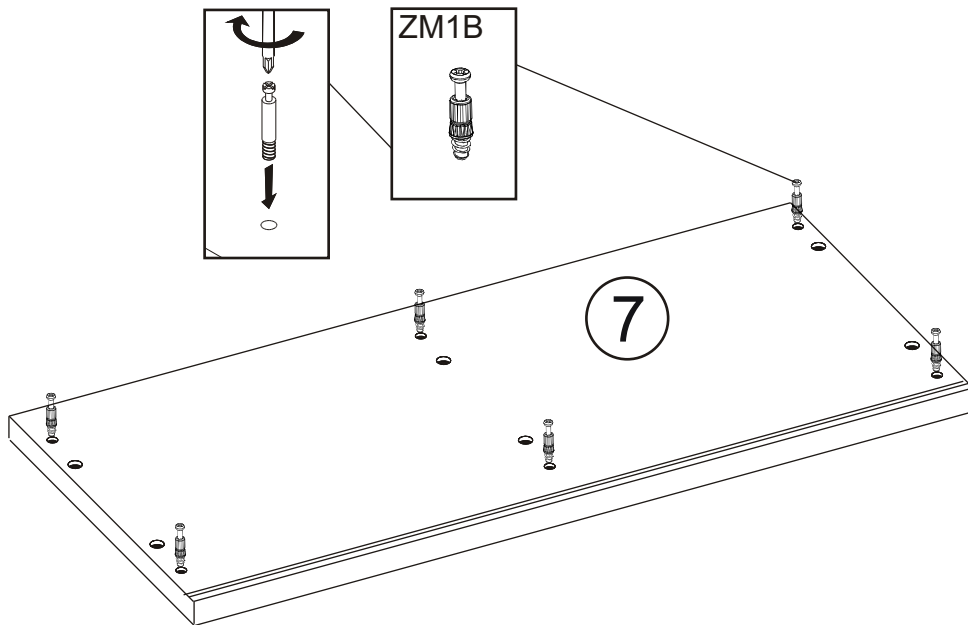


A=B

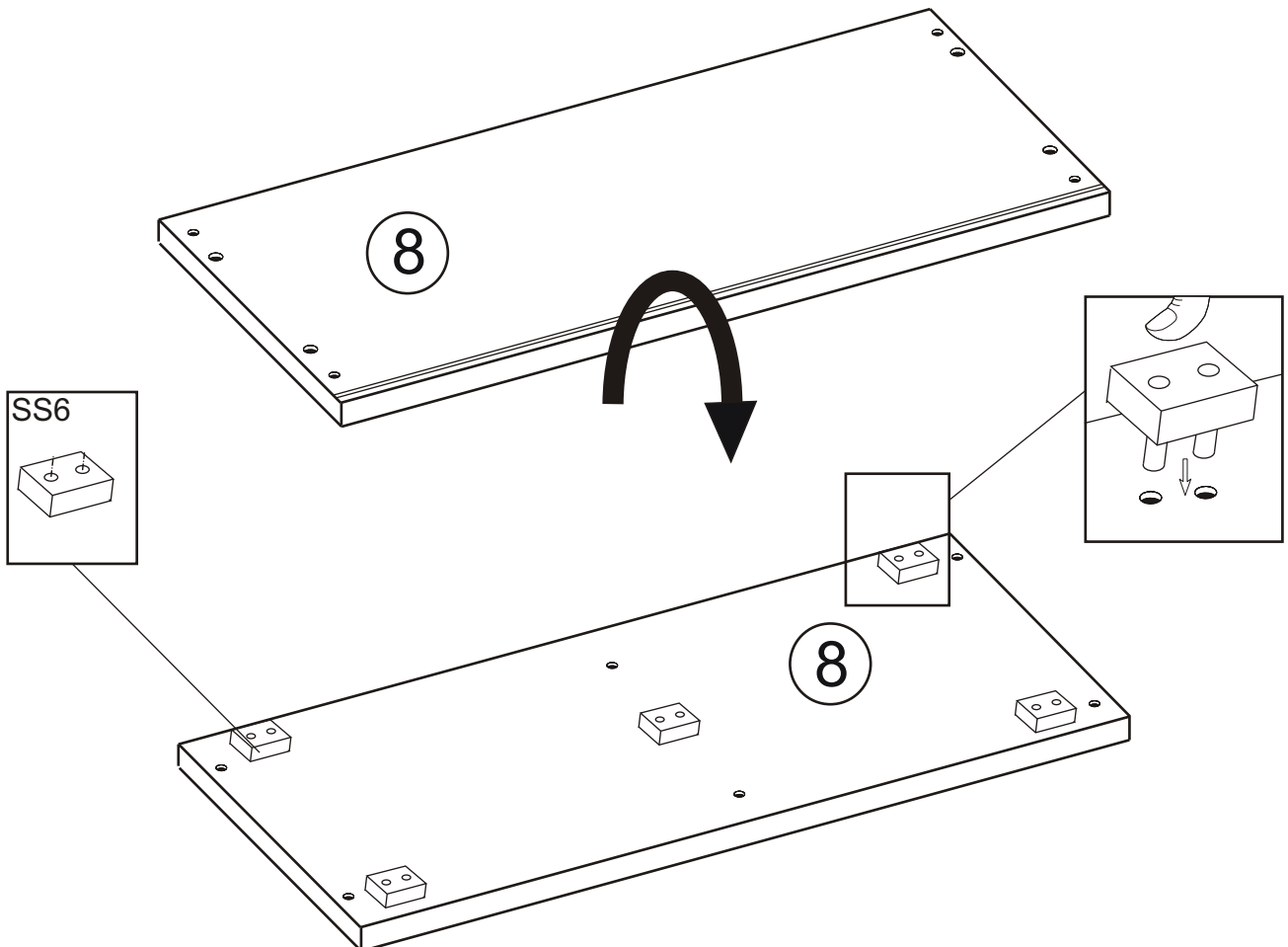
05a



06

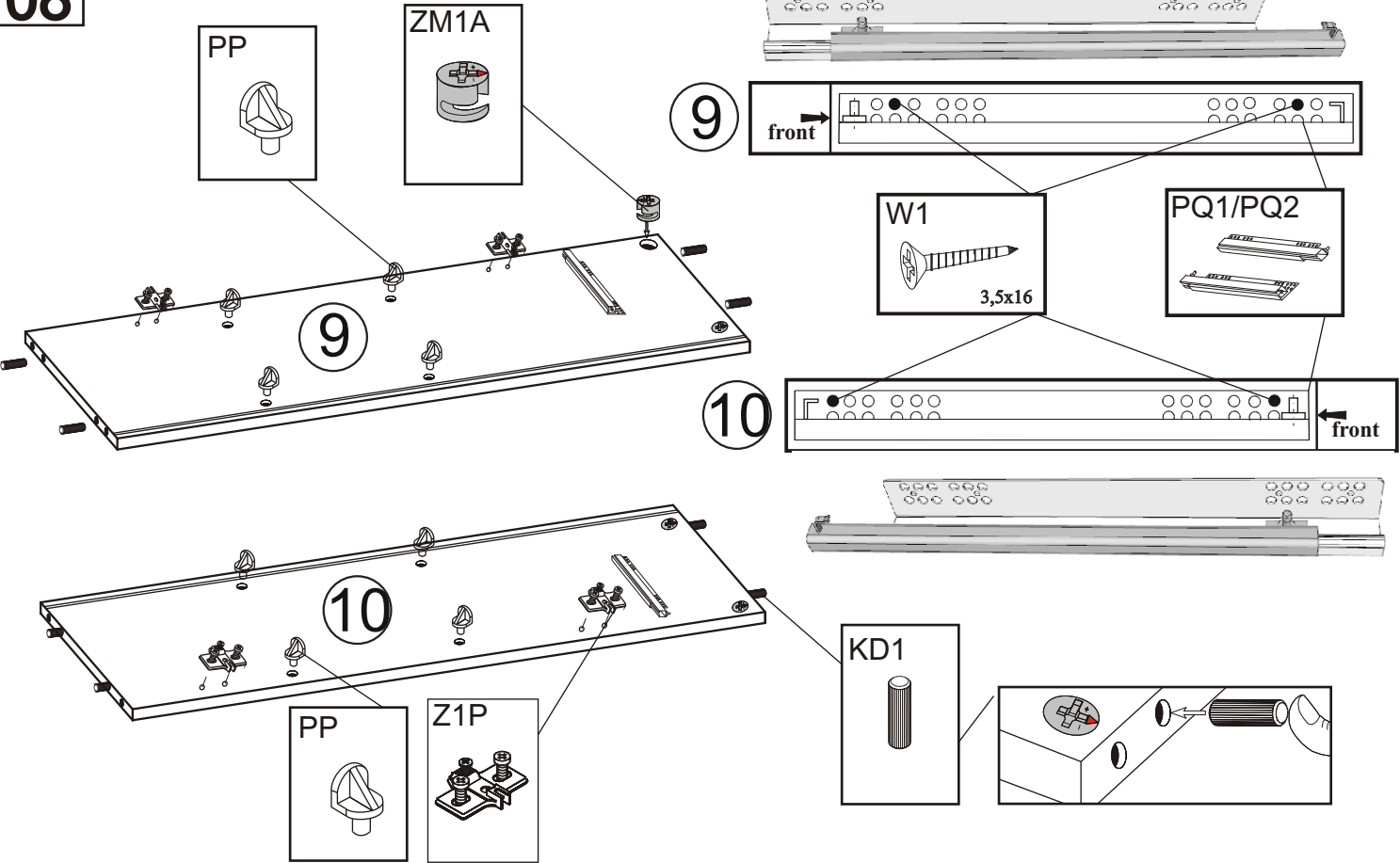


07

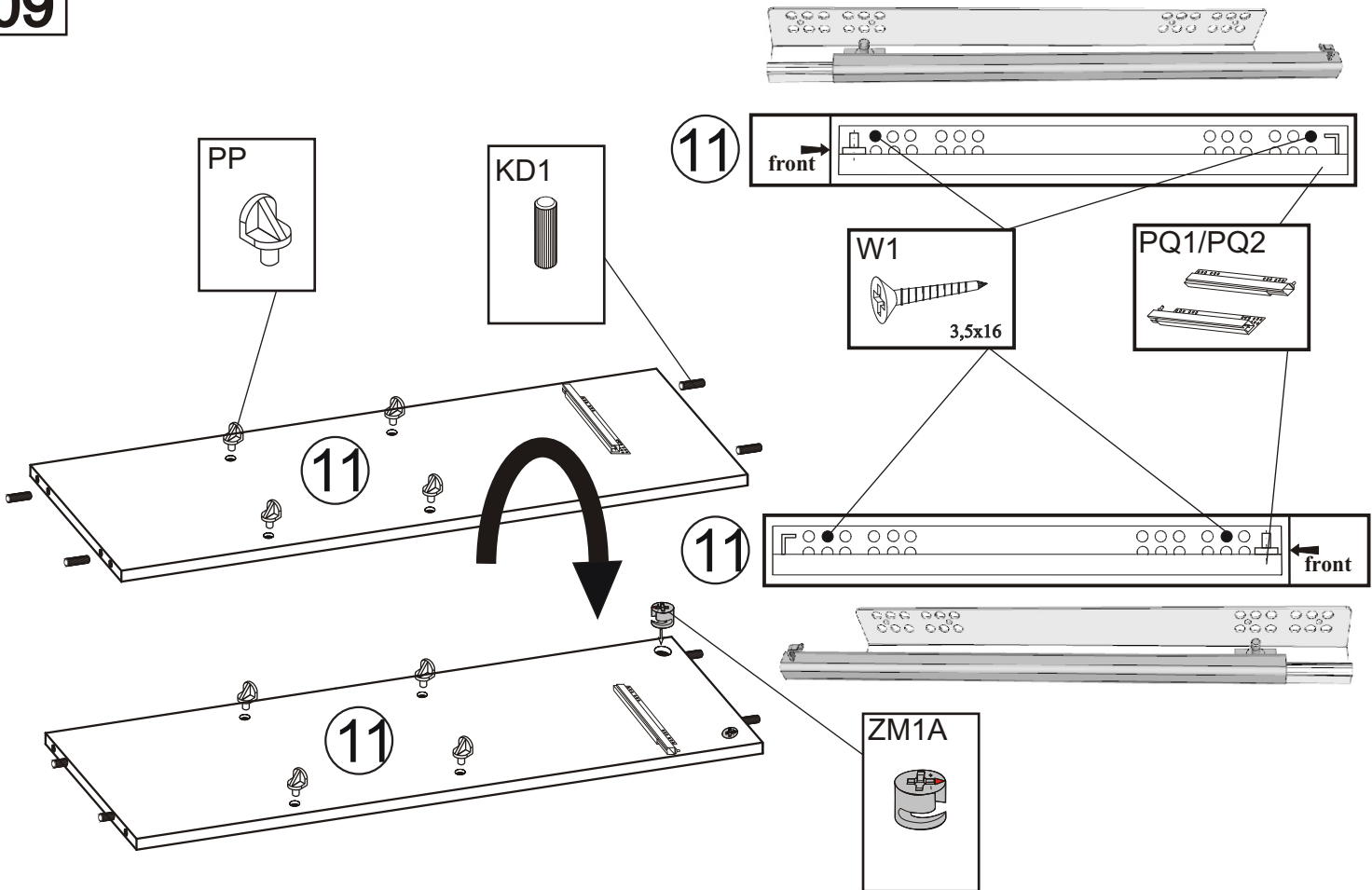


# MOUNTAIN KOMMODE 1

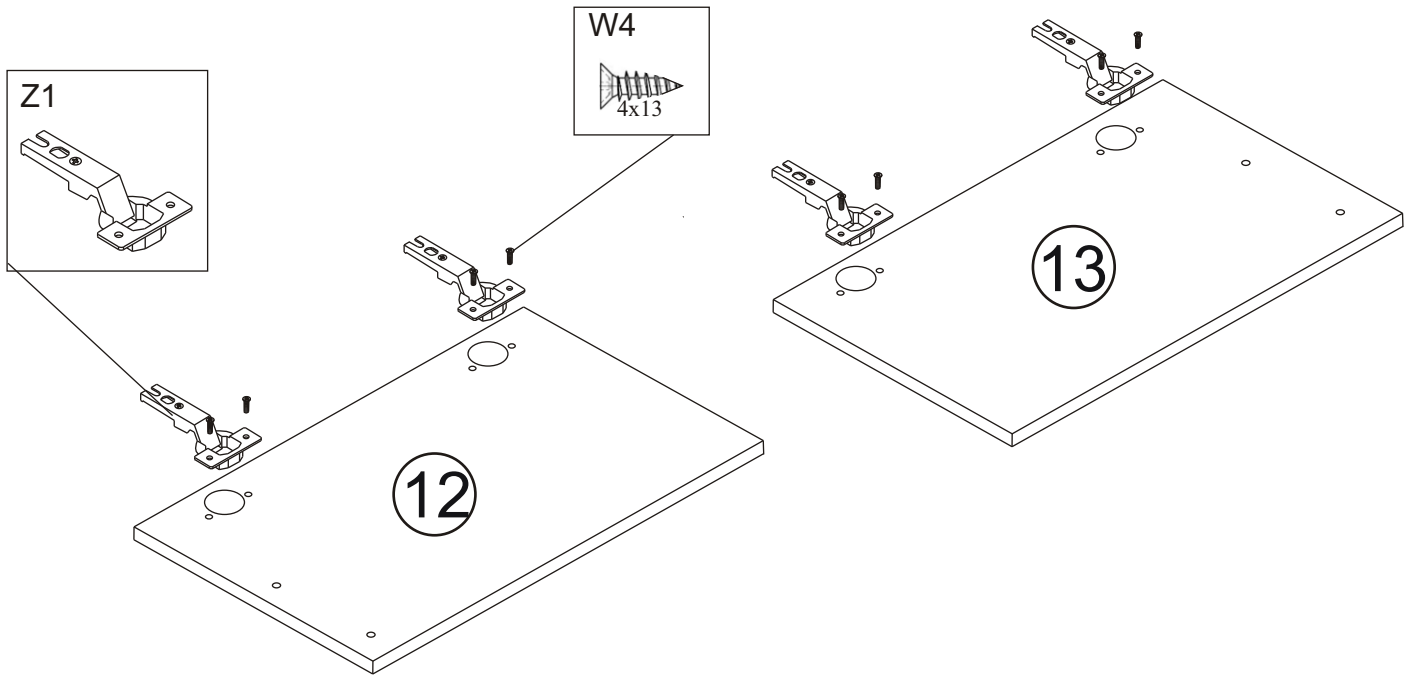
08



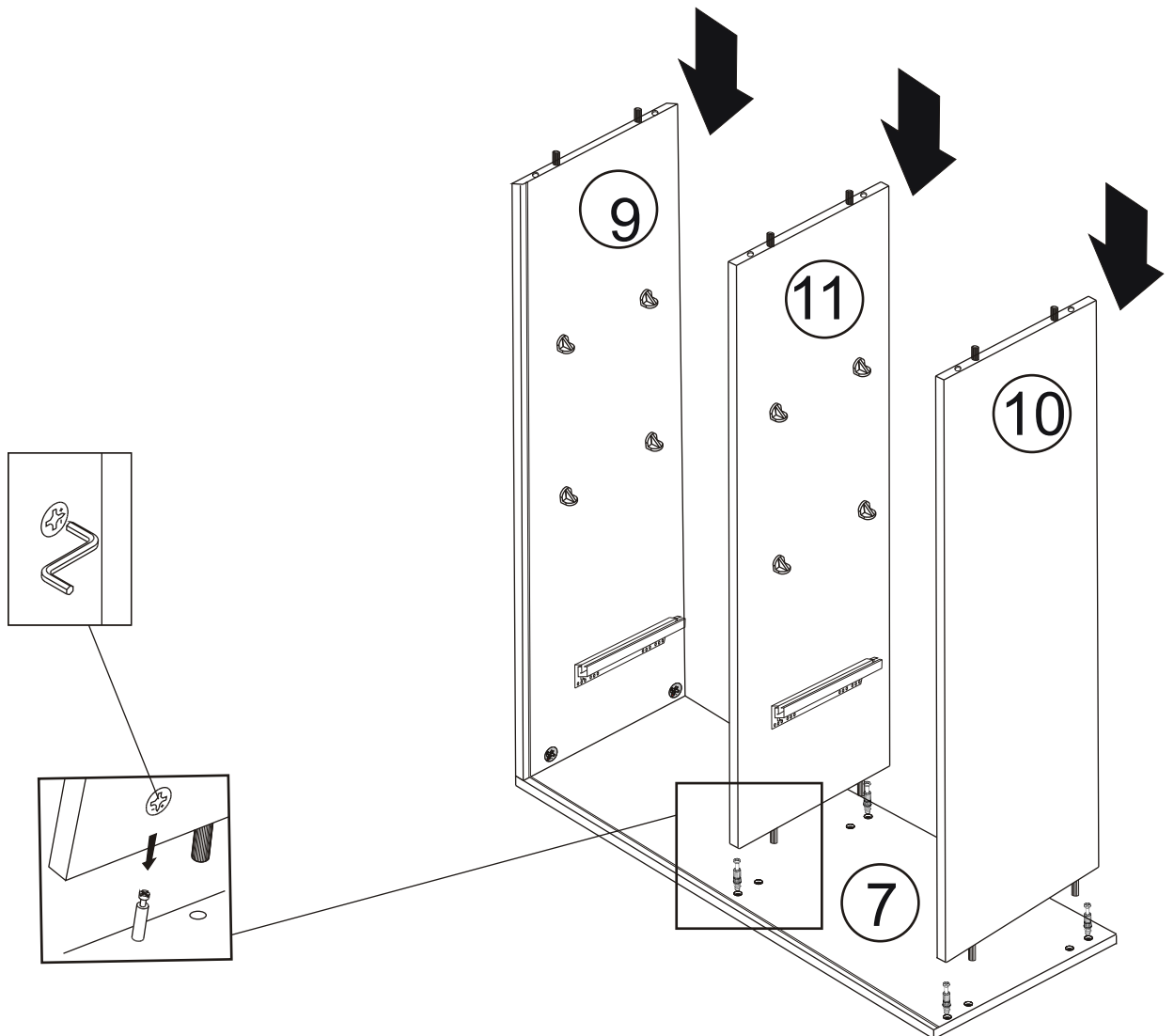
09



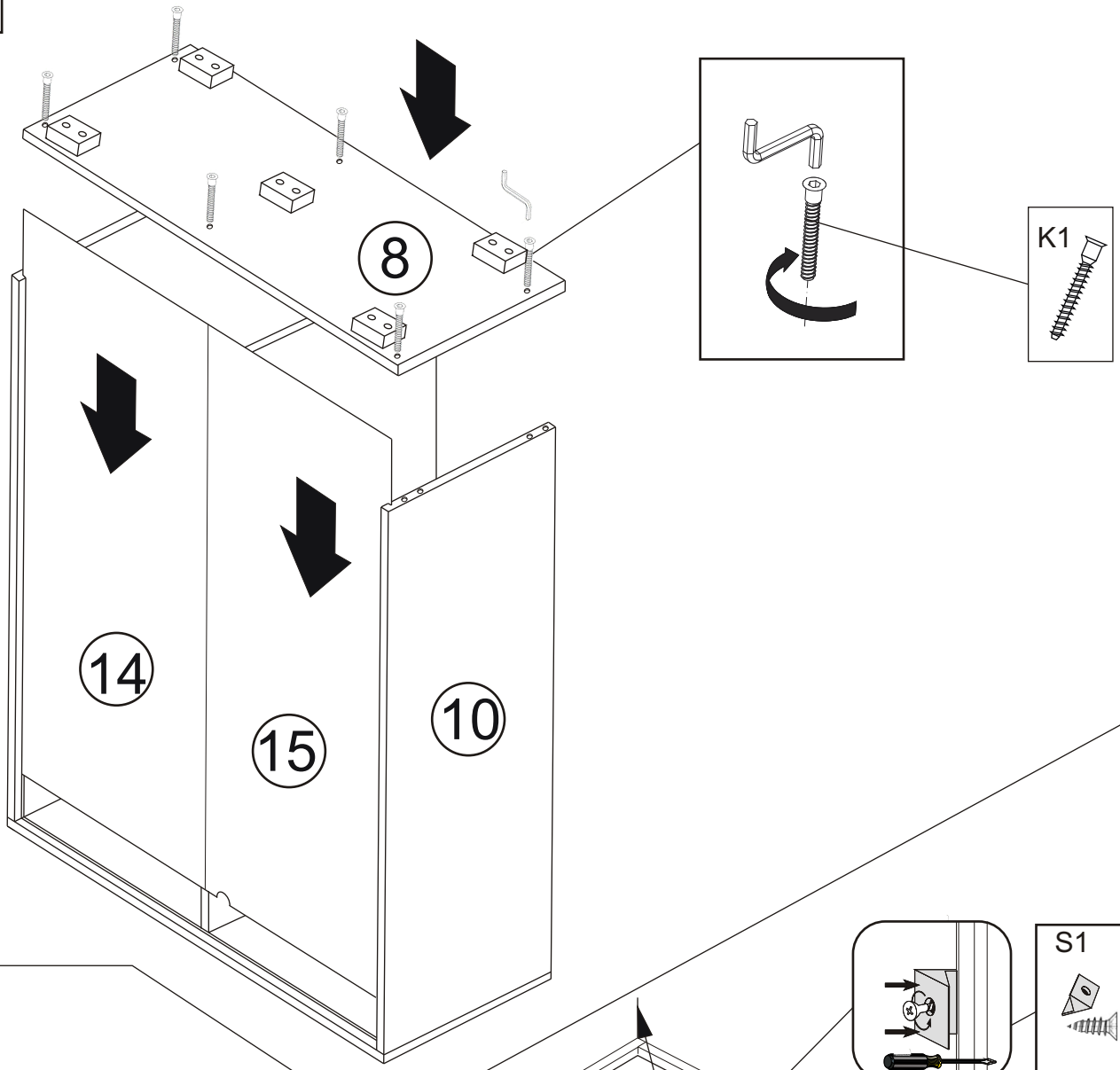
10



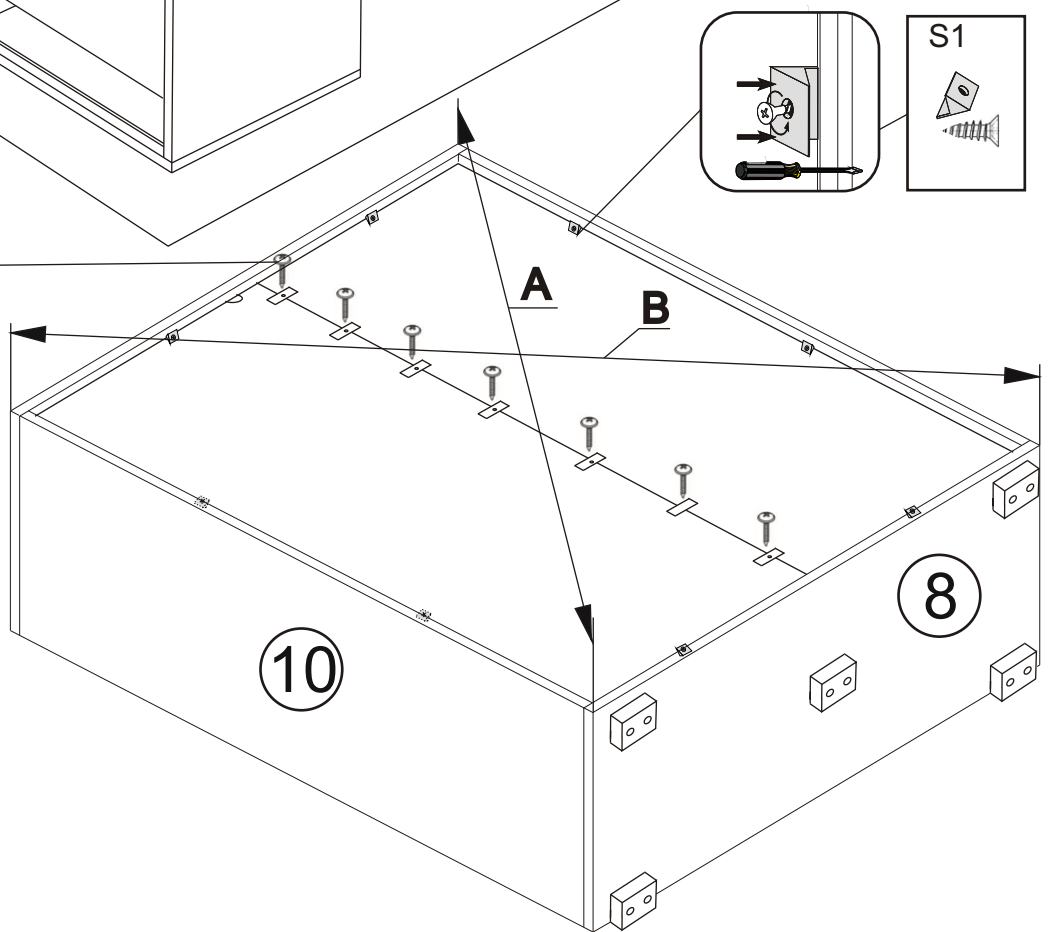
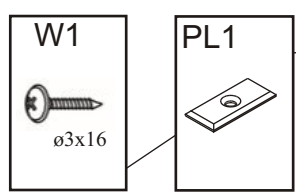
11



12



13



A=B



