

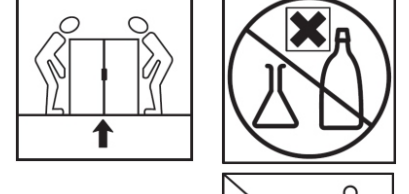
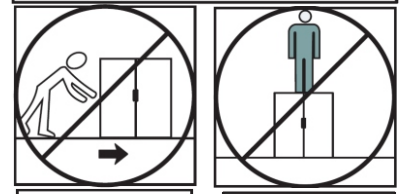
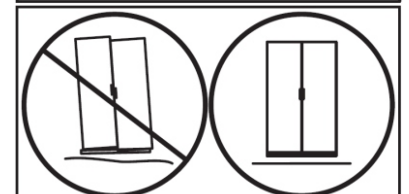
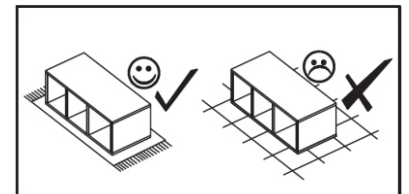
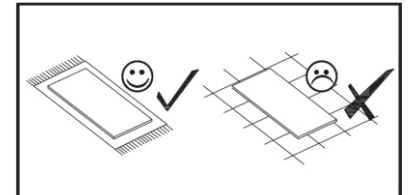
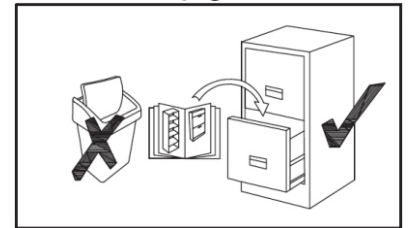
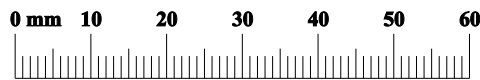
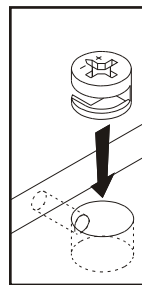
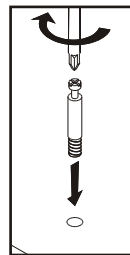
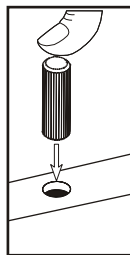
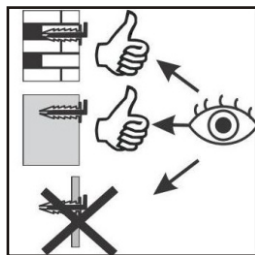
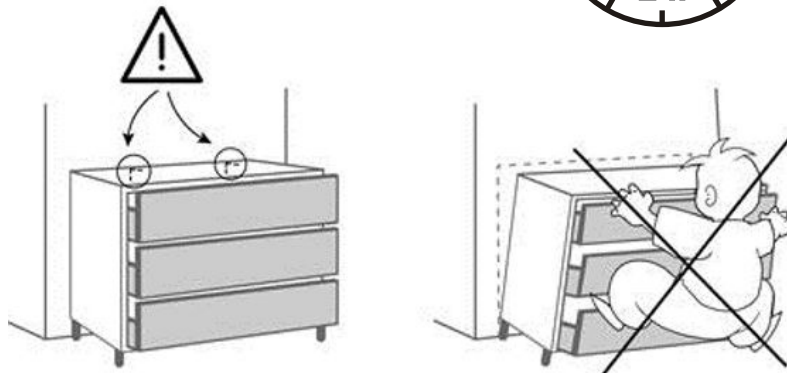
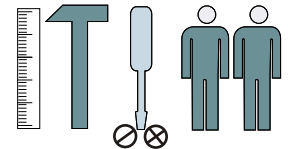


MOUNTAIN KOMMODE 2

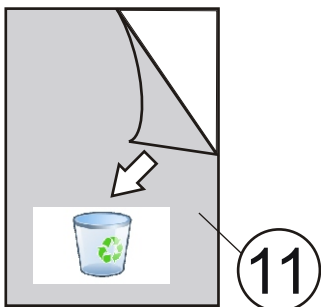
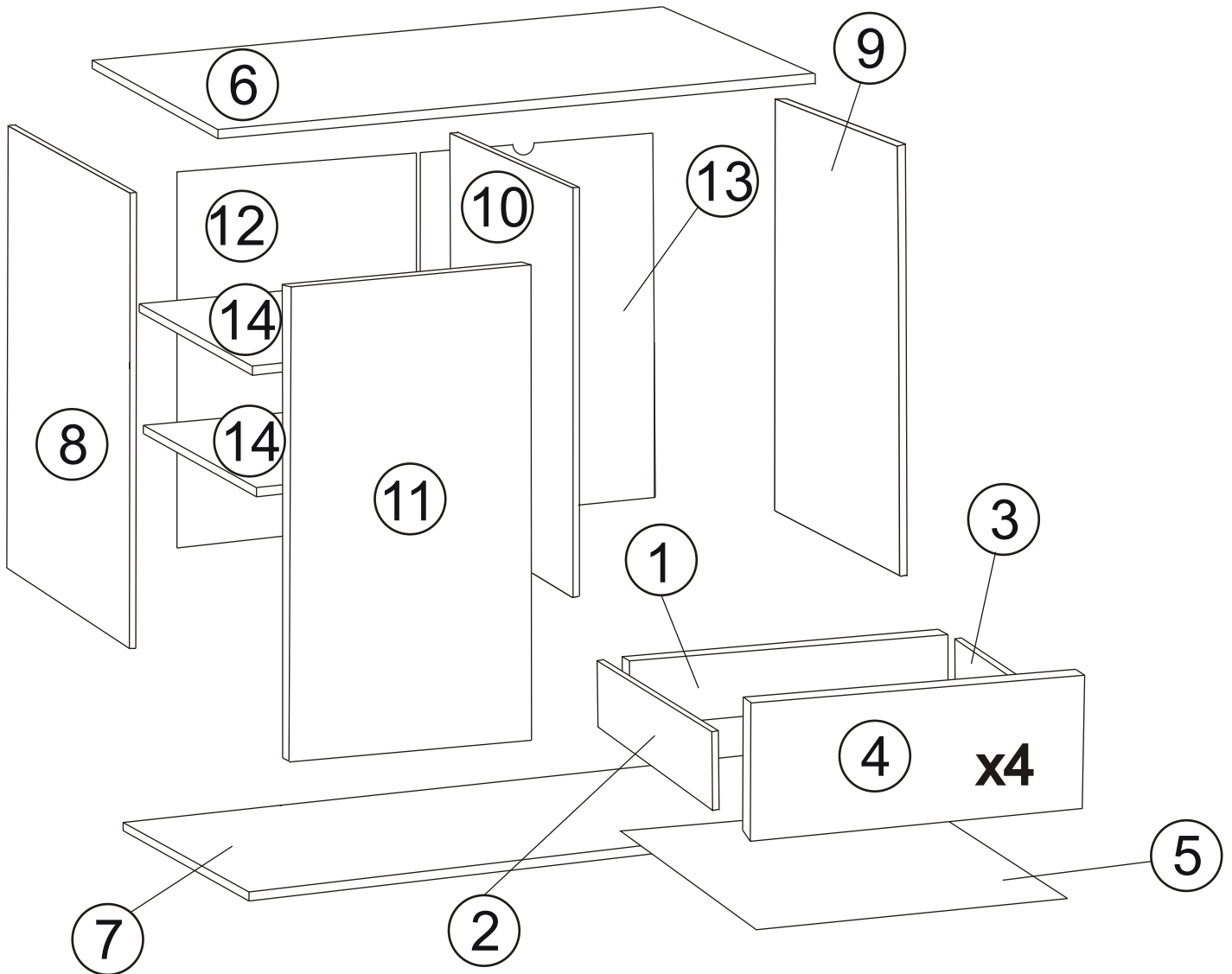
1/9

meble
okmed

wyprodukowano dla / made for / produziert für
BEGA GRUPPE
producent: **MEBLE OKMED** POLAND



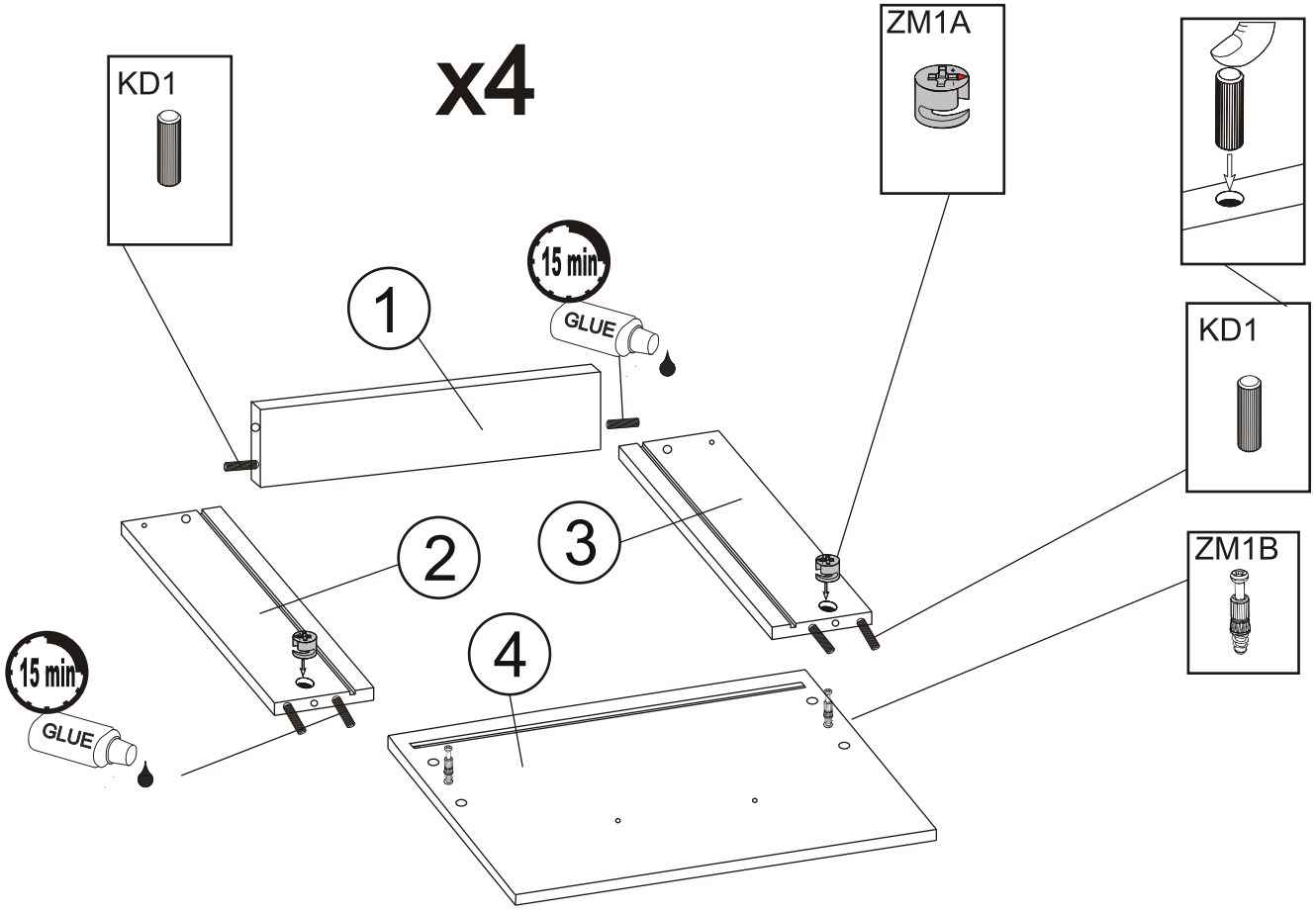
KRW1W11 x1	ZM1 Ø16 Ø16 x10	KD1 x36	ZM1A x14	ZM1B x14	K1 x14	W1 3x16 x24	PL1 x8			
KS1 x1	3,5x16 x18									
KSK1 x1	PQ1/PQ2 x4	PP x8	KK1 x1	SS6 x5	S1 x12	Z1P x3	Z1 x3	W4 4x13 x6	U47 x5	U26A 3,5x27 x10



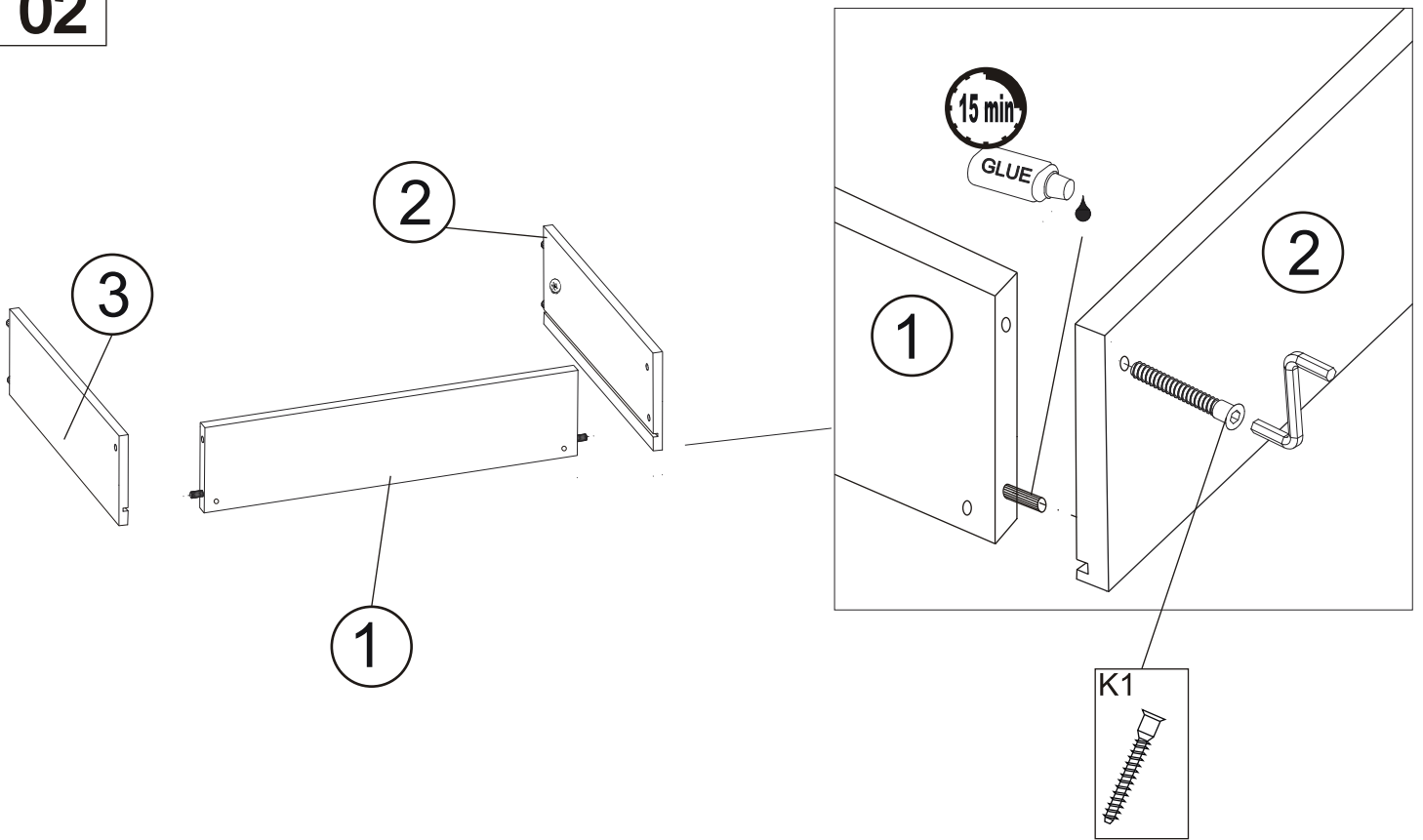
1/2	8	EL-MOU-KOM-2-BOK-L-BE	22x369x1081	x1
	9	EL-MOU-KOM-2-BOK-P-BE	22x369x1081	x1
	6	EL-MOU-KOM-2-DACH-G-BE	22x370x850	x1
	7	EL-MOU-KOM-2-DACH-D-BE	22x370x850	x1

2/2	4	EL-MOU-KOM-2-FRO-SZ-BE	16x398x266	x4
	11	EL-MOU-KOM-2-FRO-P-BI_SQ	16x398x1073	x1
	10	EL-MOU-KOM-2-PRZEG-BI	16x333x1081	x1
	3	EL-MOU-KOM-2-BOCZ-SZ-P-BI	16x180x310	x4
	2	EL-MOU-KOM-2-BOCZ-SZ-L-BI	16x180x310	x4
	14	EL-MOU-KOM-2-POŁKA-BI	16x318x394	x2
	1	EL-MOU-KOM-2-TYLNIAK-SZ-BI	16x167x355	x4
	5	EL-MOU-KOM-2-DNO-SZ-HDF-BI	3x315x369	x4
	12	EL-MOU-KOM-2-PLECY-HDF-L-BI	3x411x1097	x1
13	EL-MOU-KOM-2-PLECY-HDF-P-BI	3x411x1097	x1	

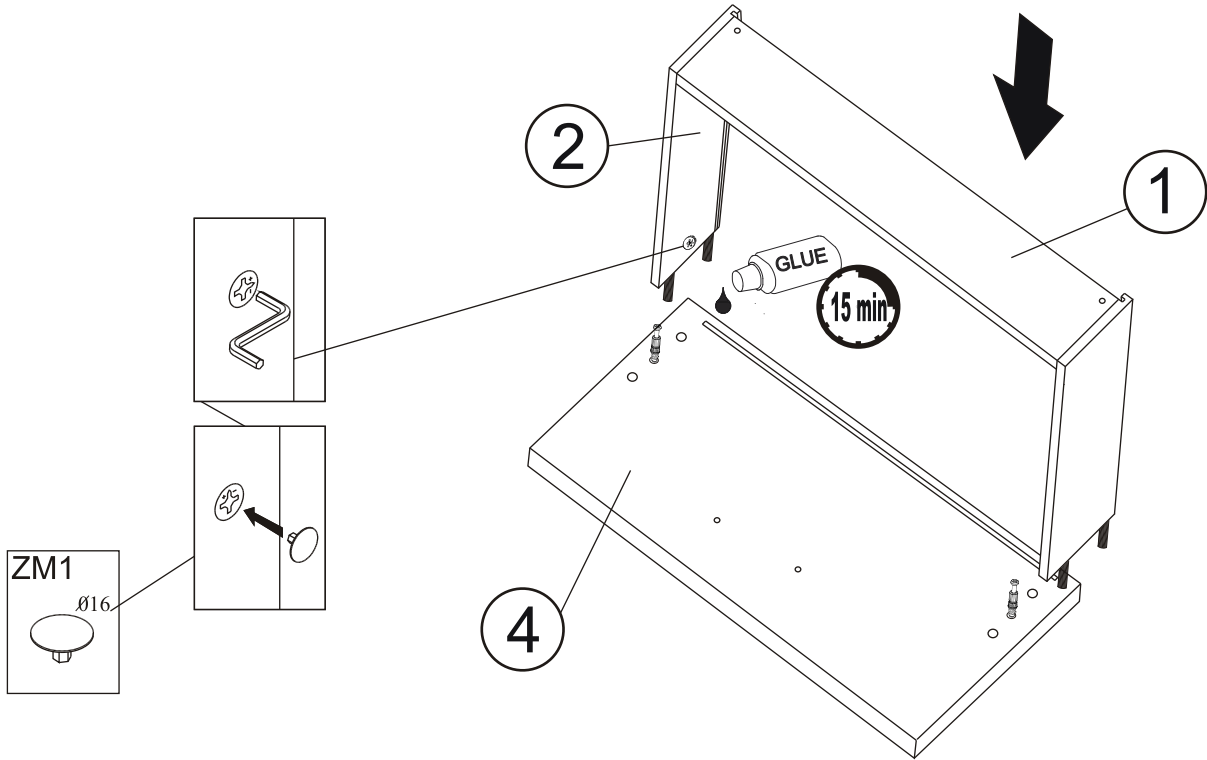
01



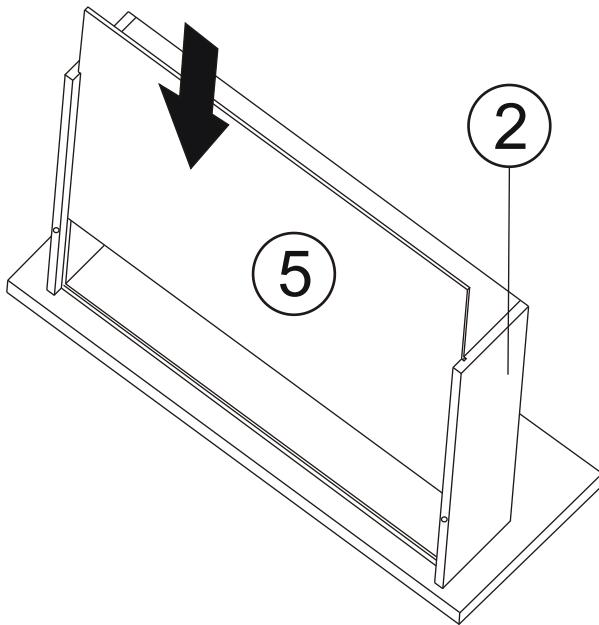
02



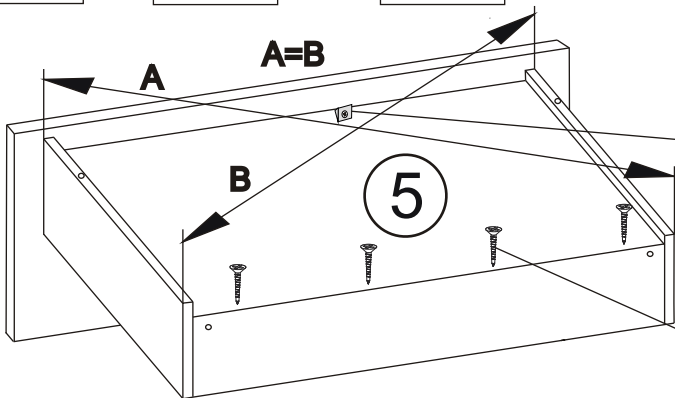
03



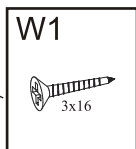
04



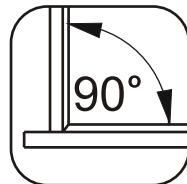
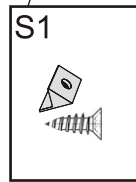
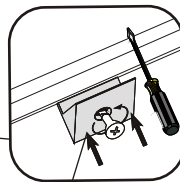
05 → 05a → 05b



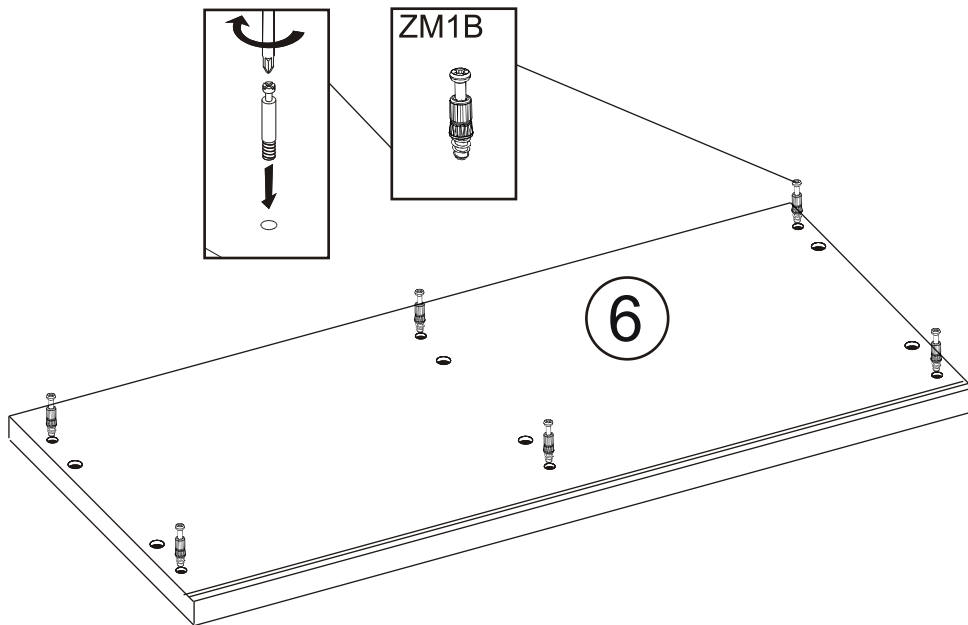
05a



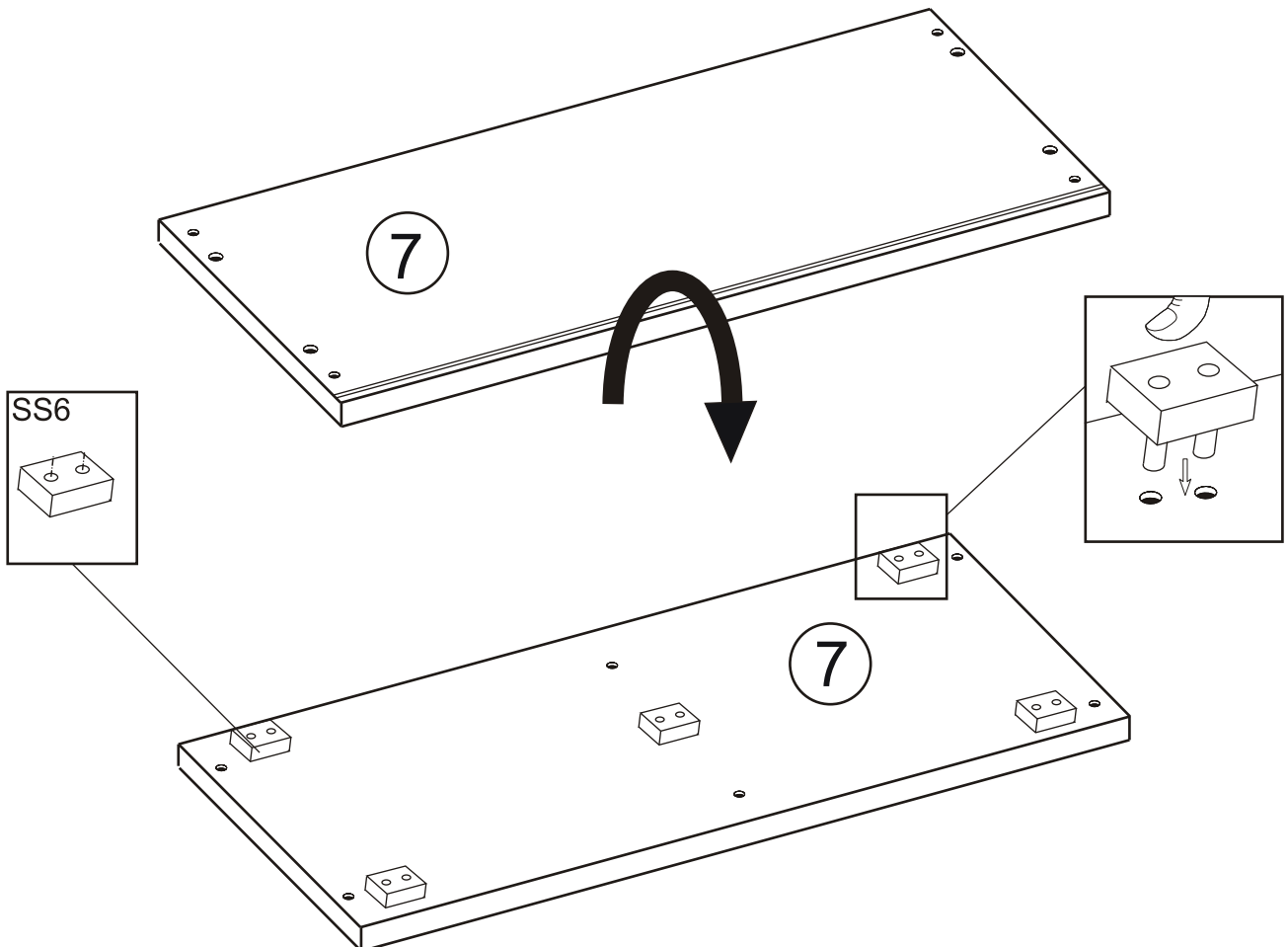
05b



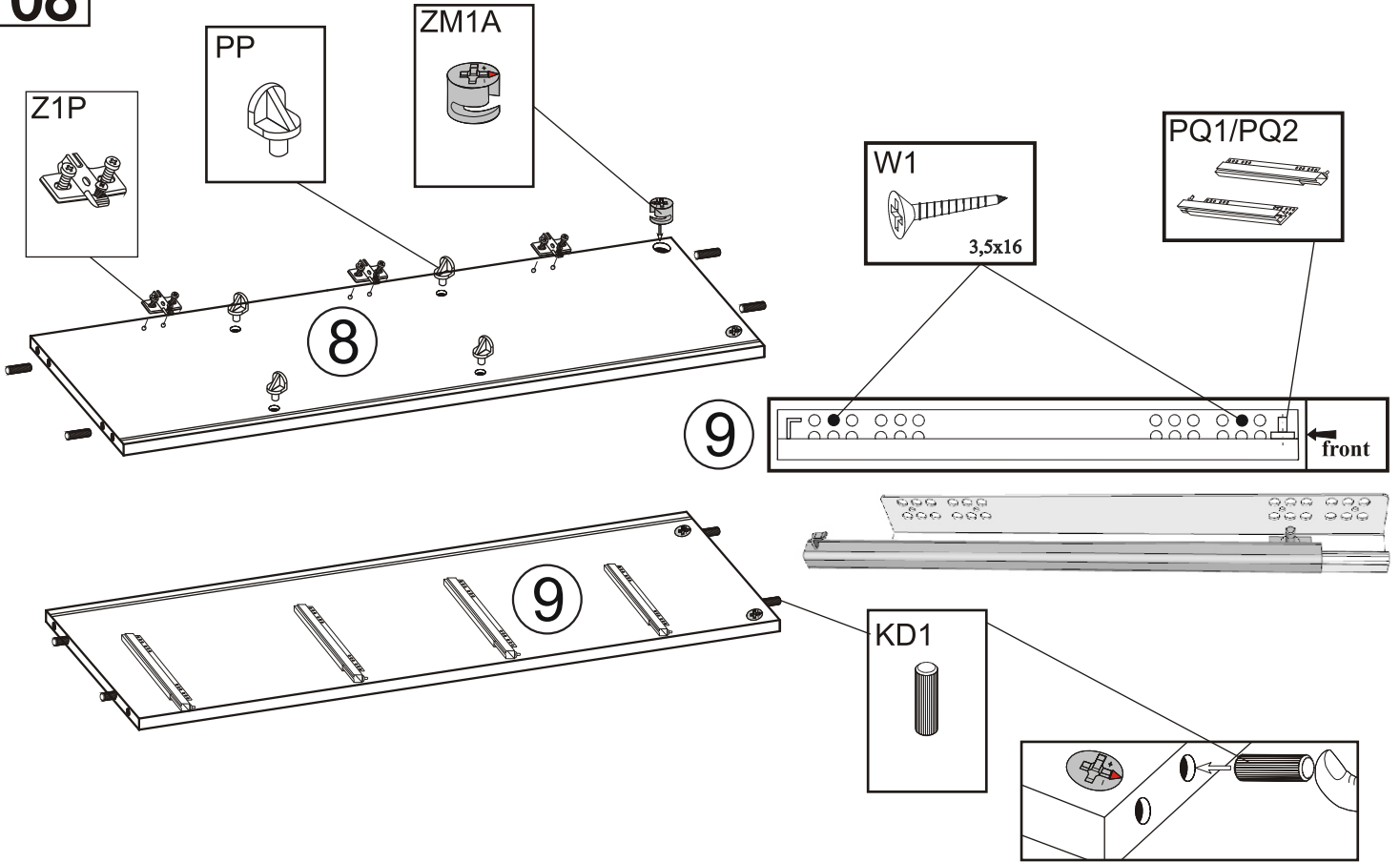
06



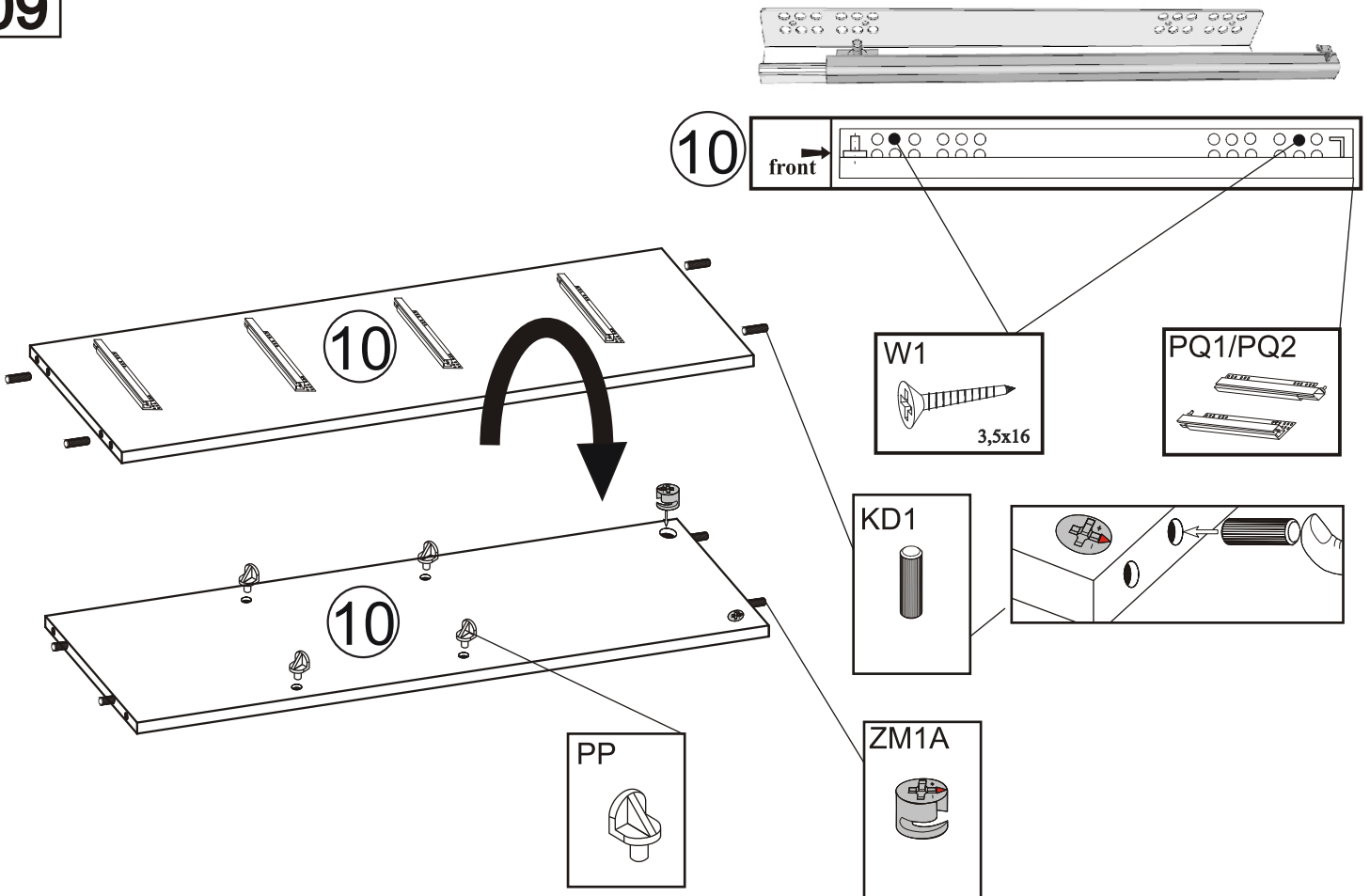
07



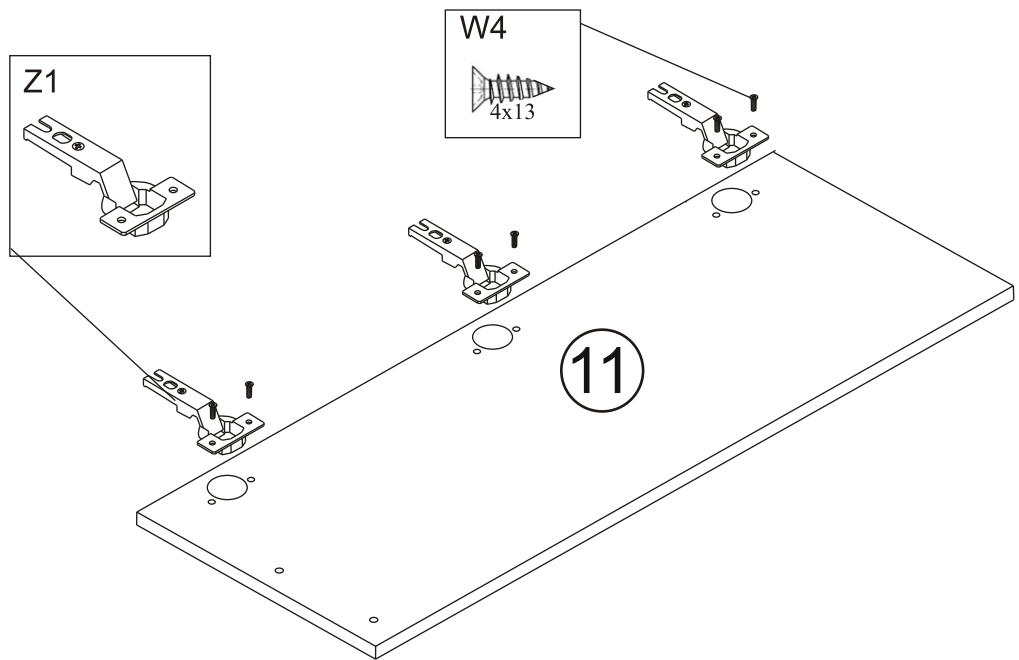
08



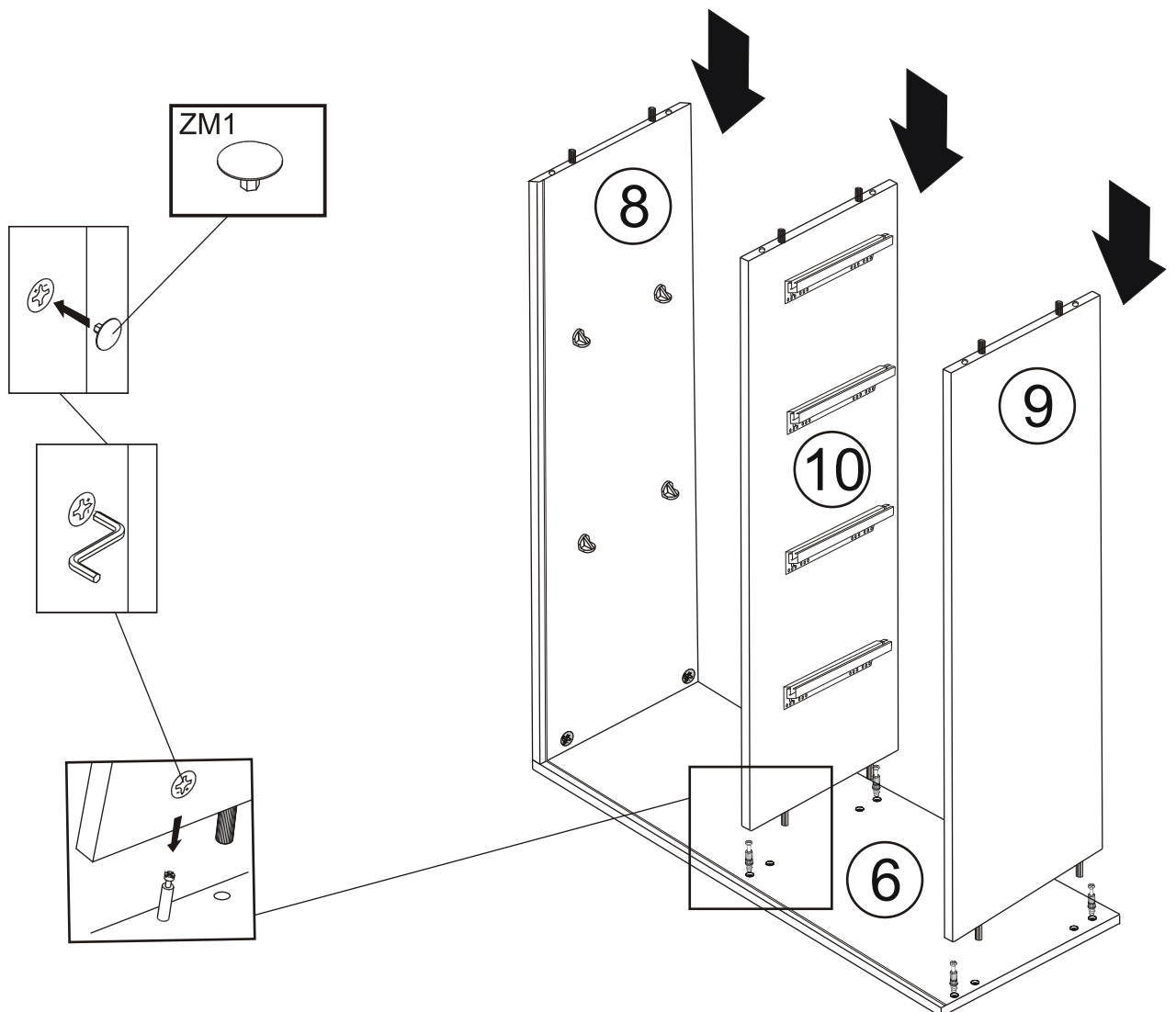
09



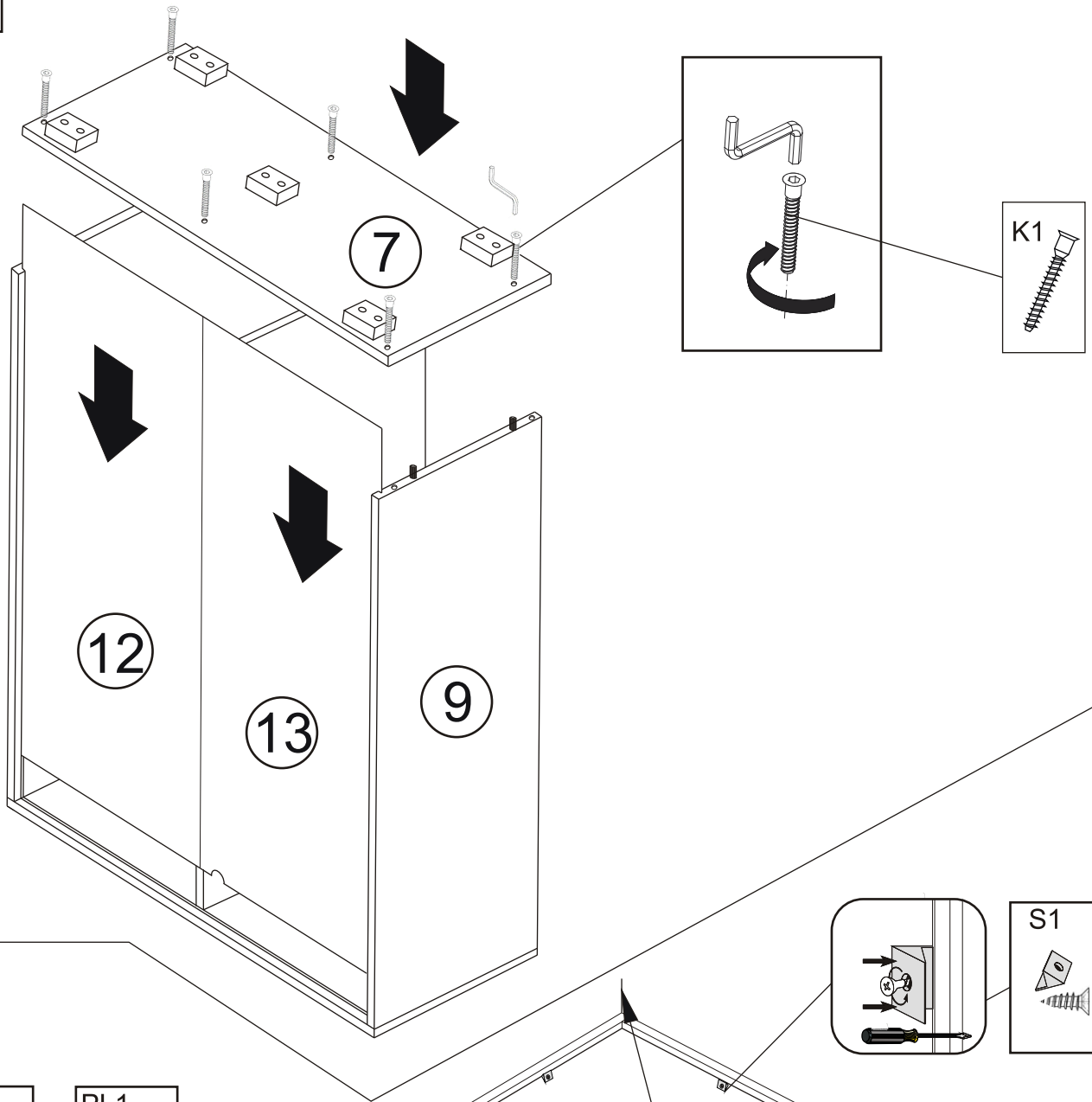
10



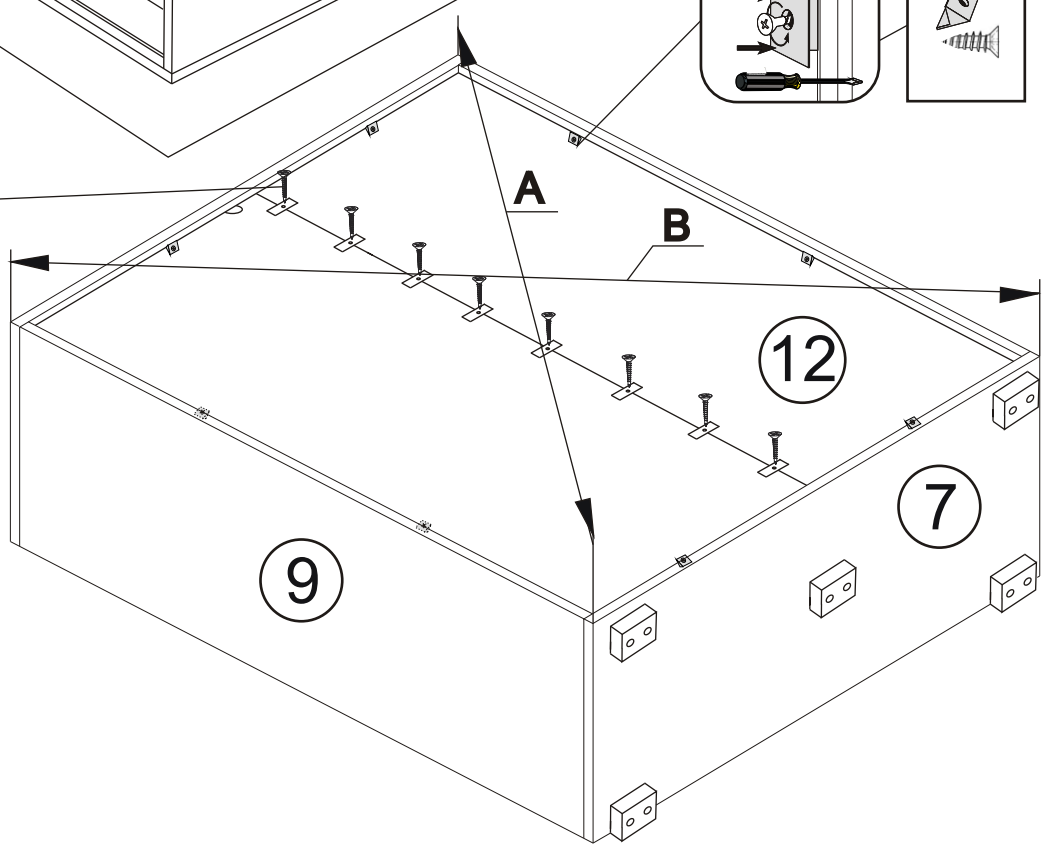
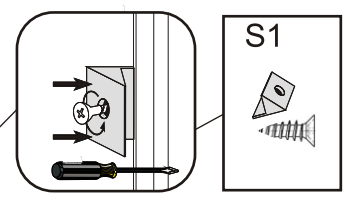
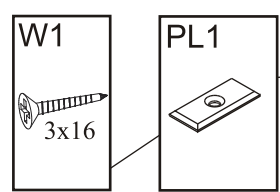
11



12

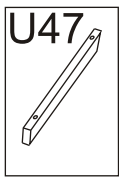
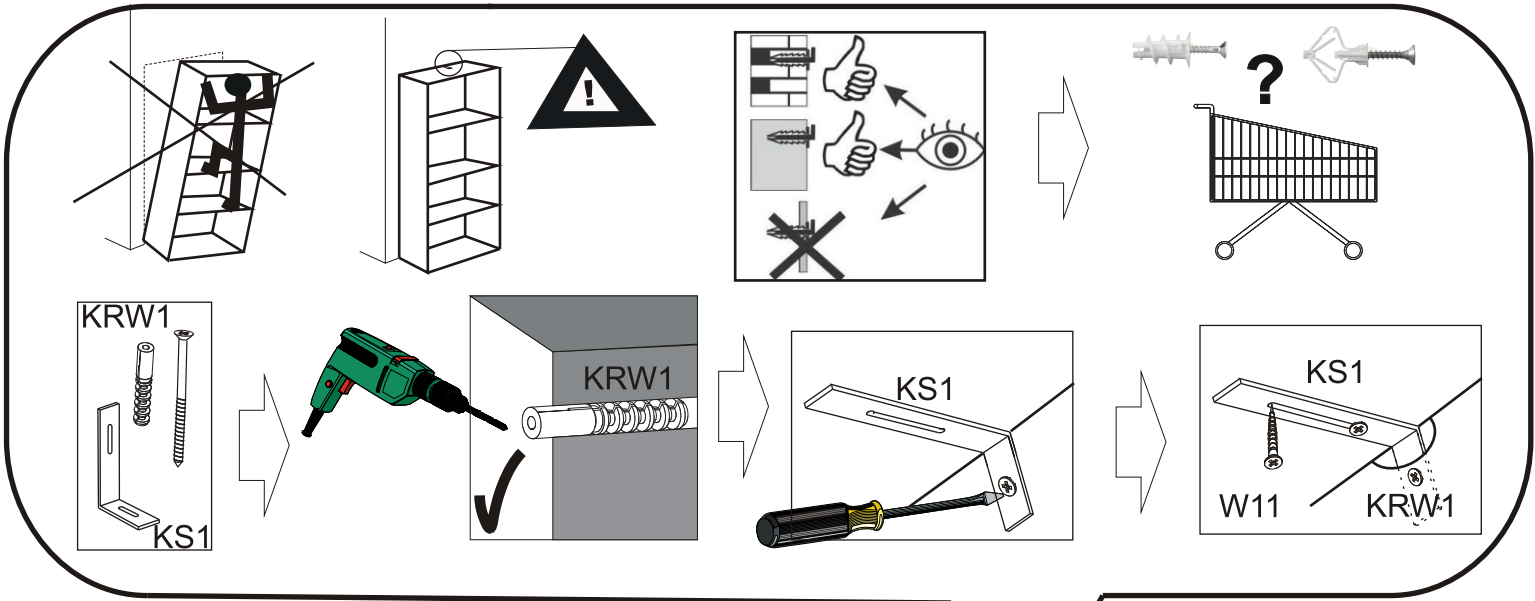


13



A=B

14



14

