



# MOUNTAIN KOMMODE 5

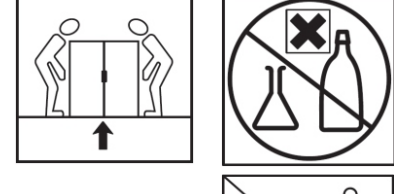
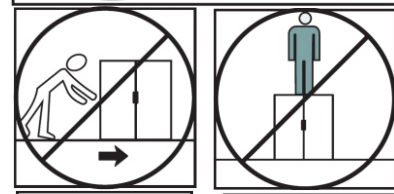
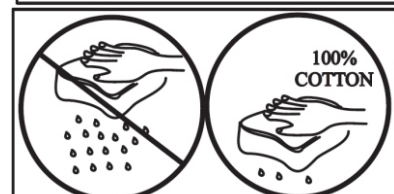
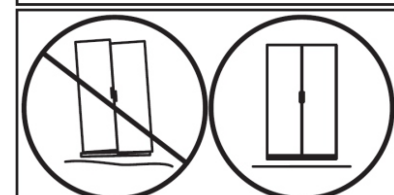
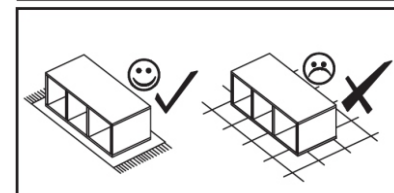
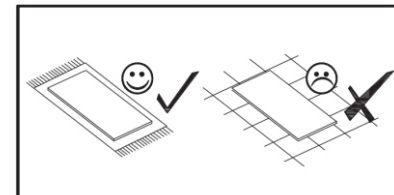
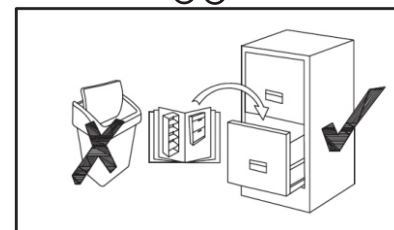
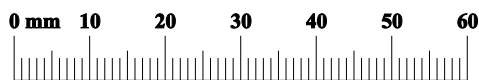
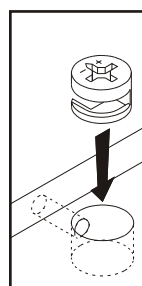
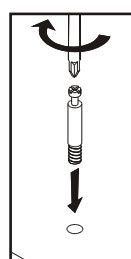
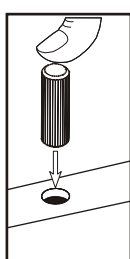
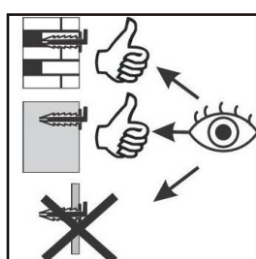
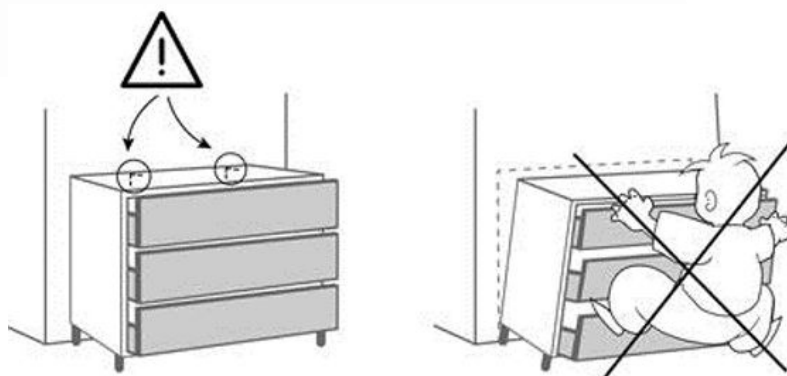
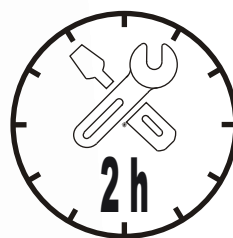
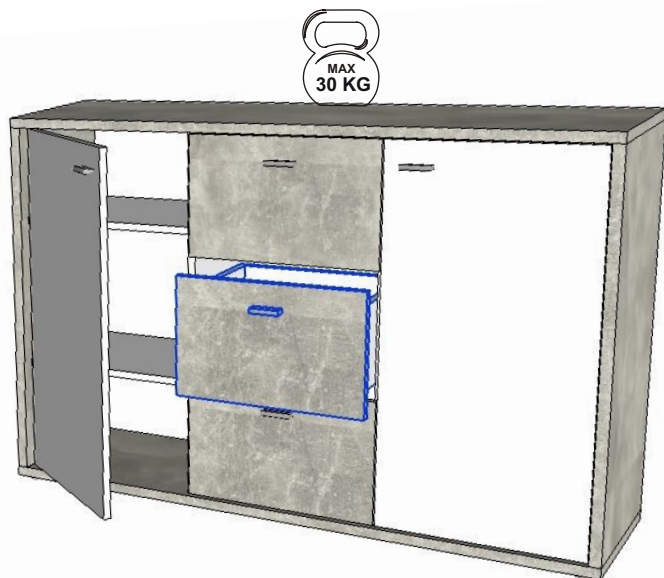
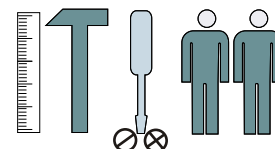
1/9

**meble**  
**okmed**

wyprodukowano dla / made for / produziert für  
**BEGA GRUPPE**

producent: **MEBLE OKMED** POLAND

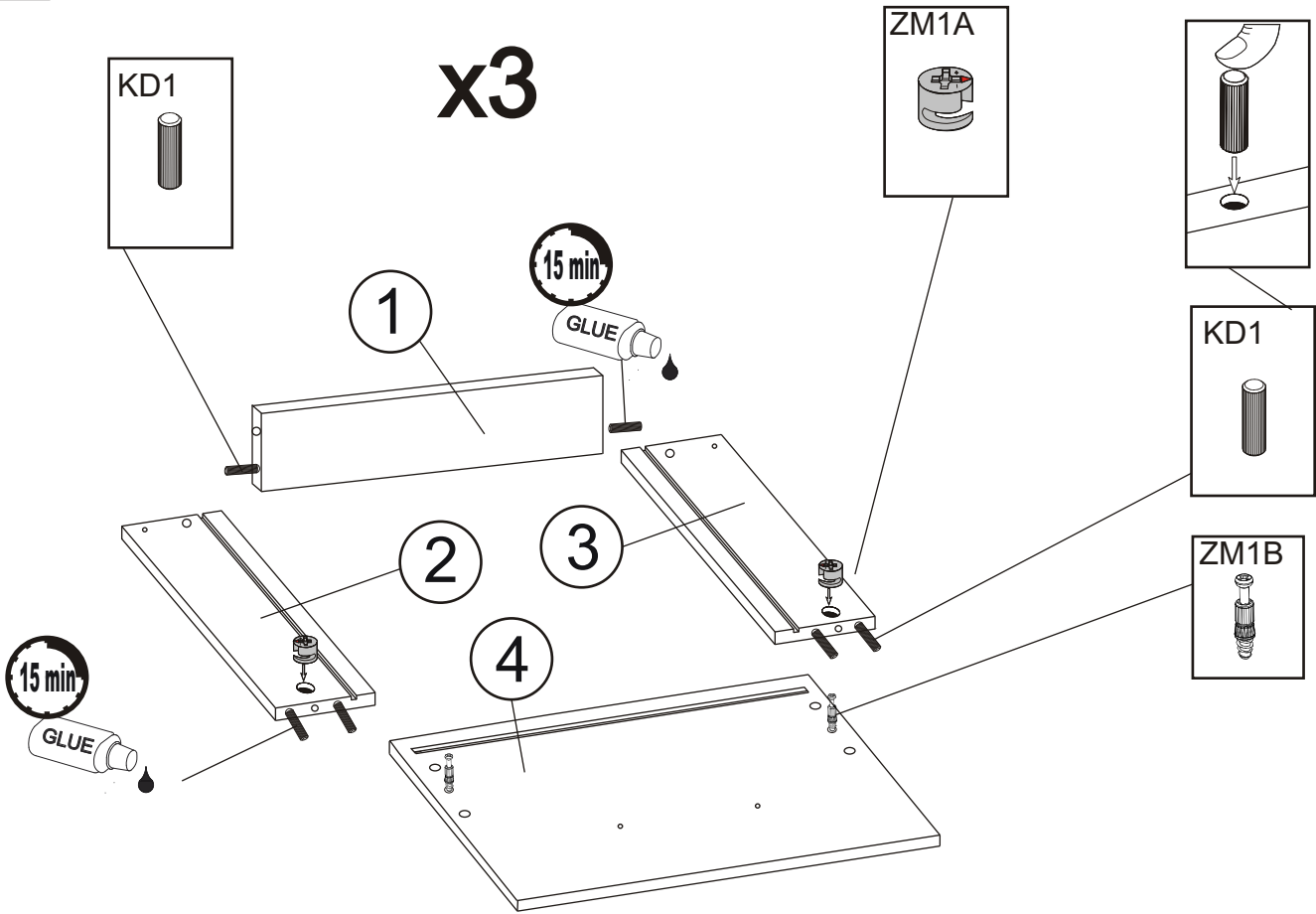
**BEGA**  
GRUPPE



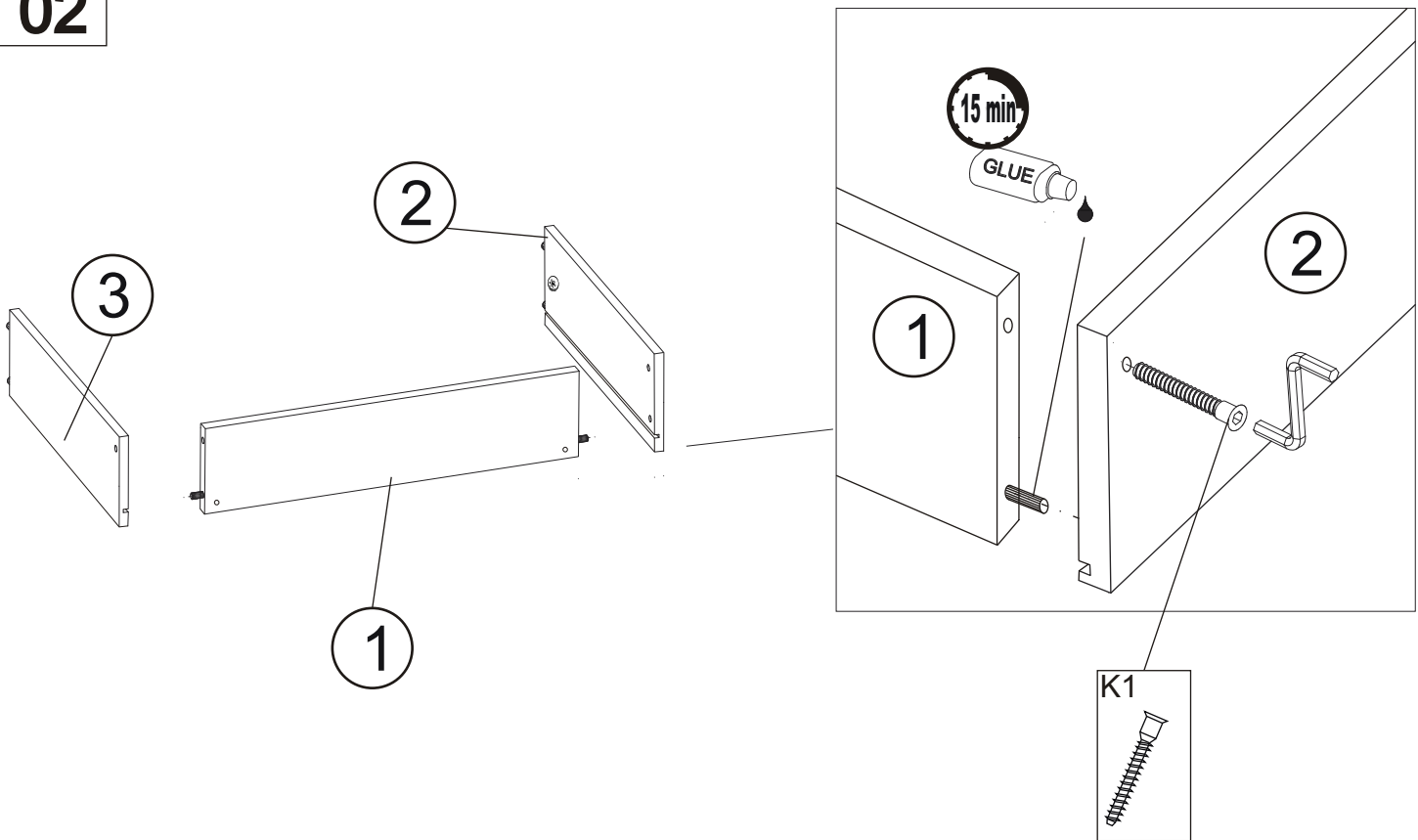
KRW1W11 x2	ZM1 Ø16 x14	KD1 x34	ZM1A x14	ZM1B x14	K1 x14	W1 3x16 x22	PL1 x10
---------------	-------------------	------------	-------------	-------------	-----------	-------------------	------------

KSK1 Glue x1	PQ1/PQ2 x3	PP x16	KK1 x1	SS6 x6	S1 x13	Z1P x4	ZDR1 x4	W4 4x13 x8	U47 x5	U26A 3,5x27 x10
--------------------	---------------	-----------	-----------	-----------	-----------	-----------	------------	------------------	-----------	-----------------------

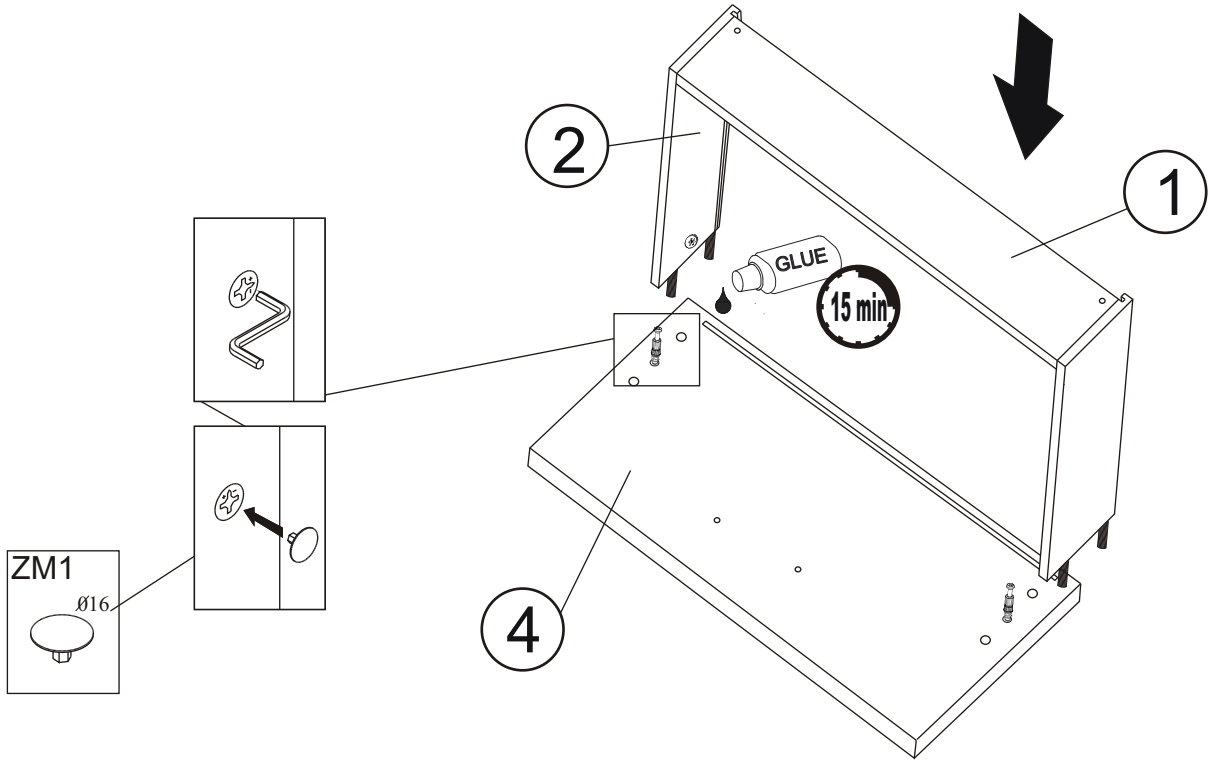
## 01



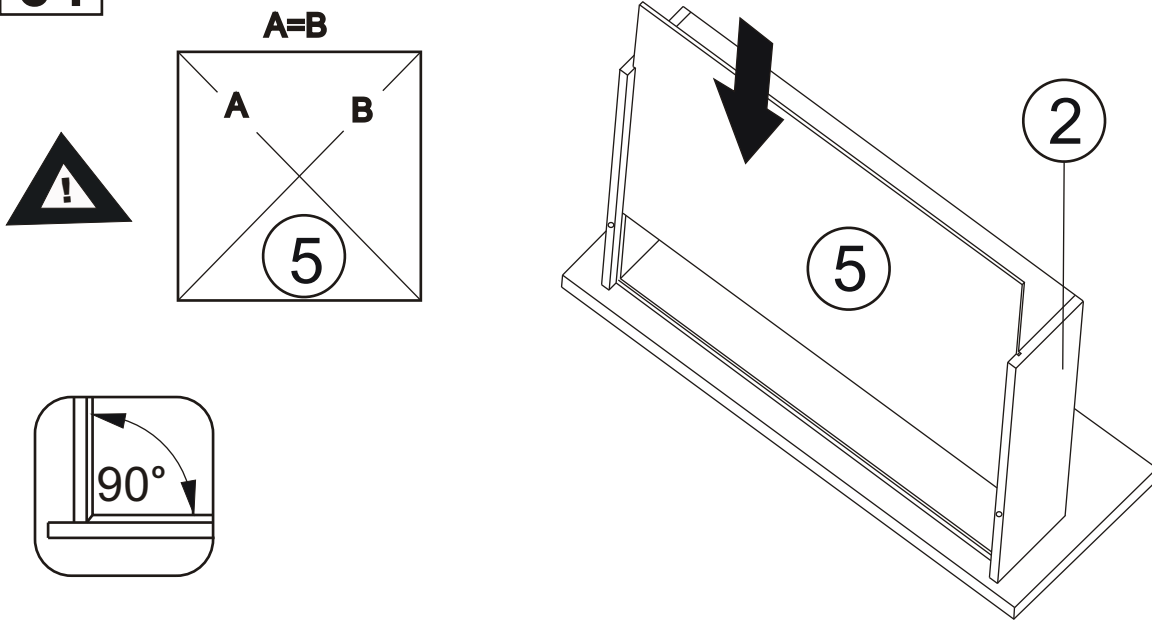
## 02



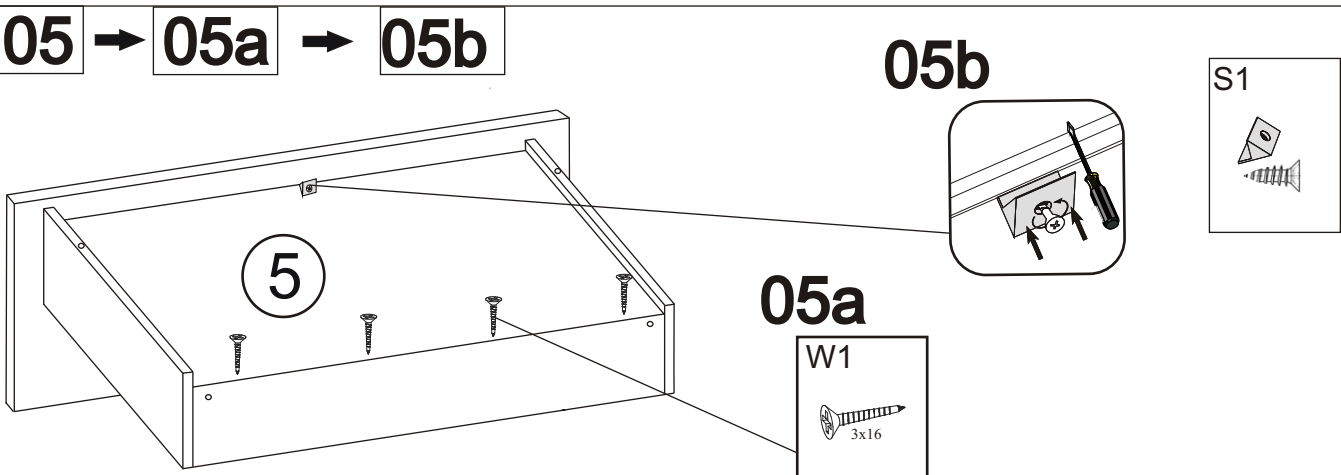
03



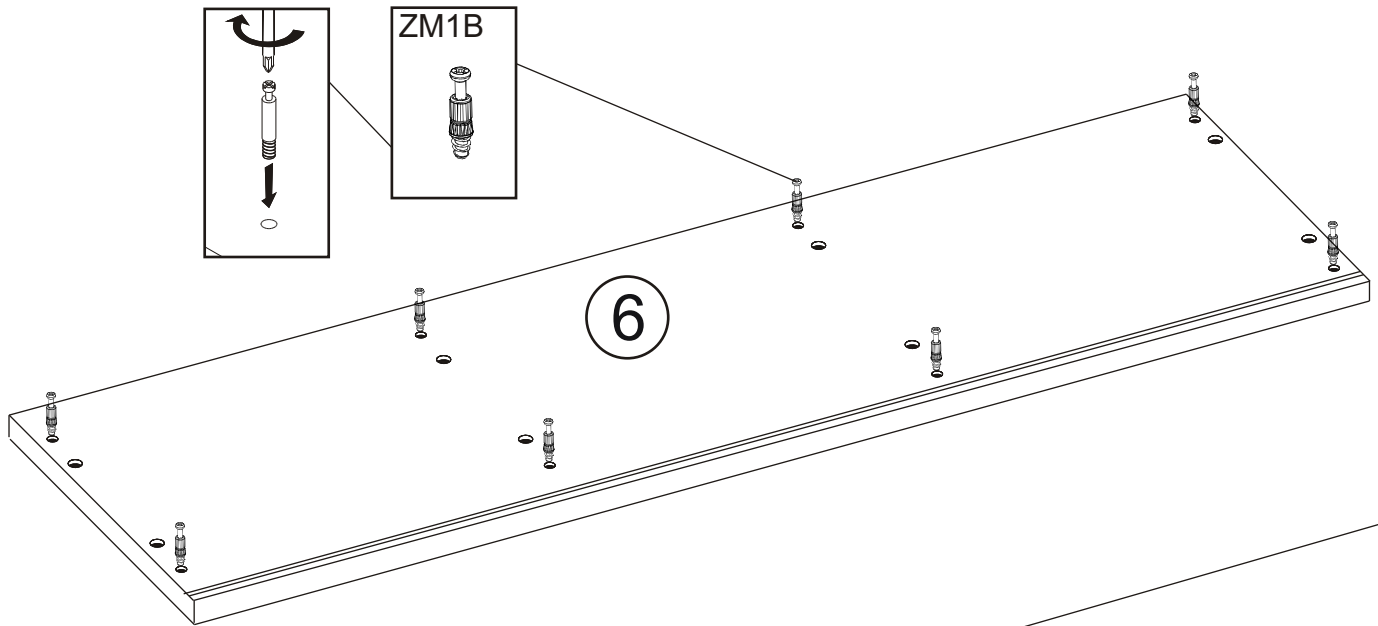
04



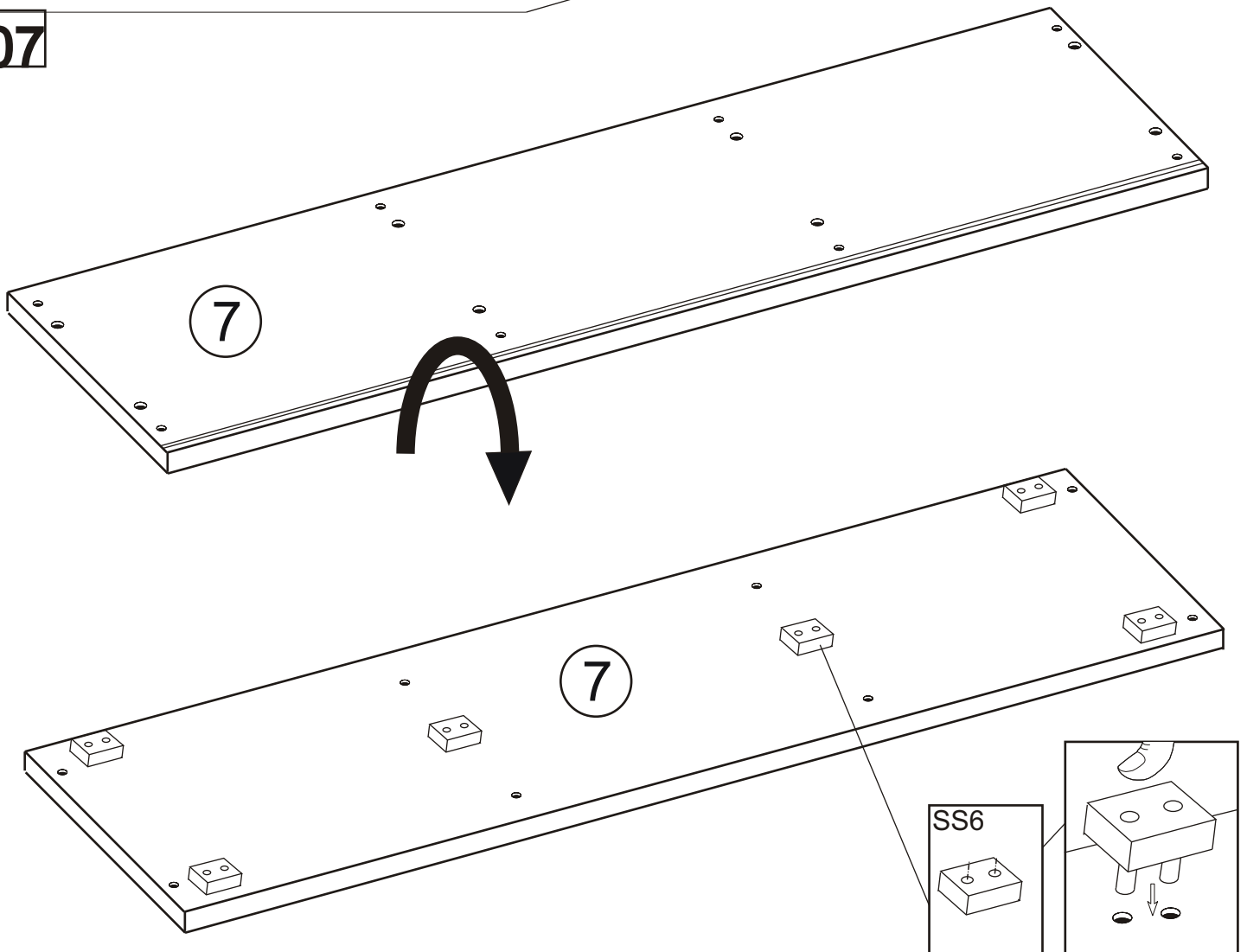
05 → 05a → 05b



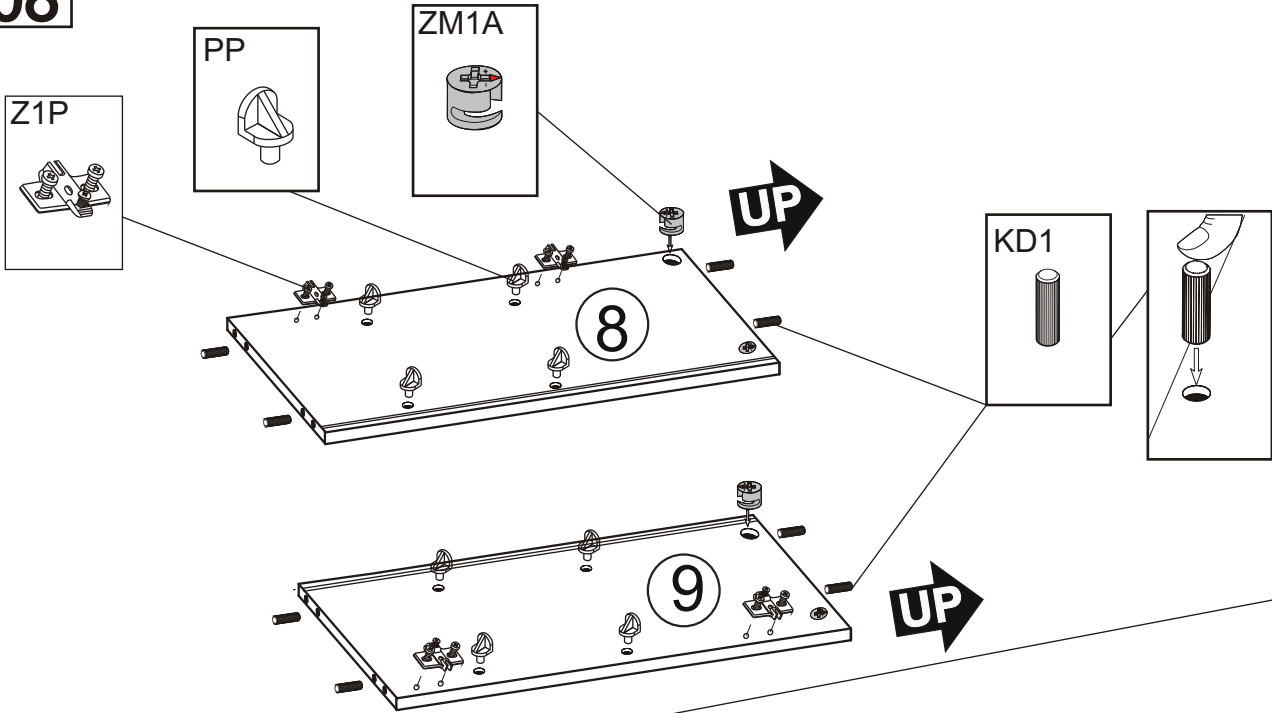
06



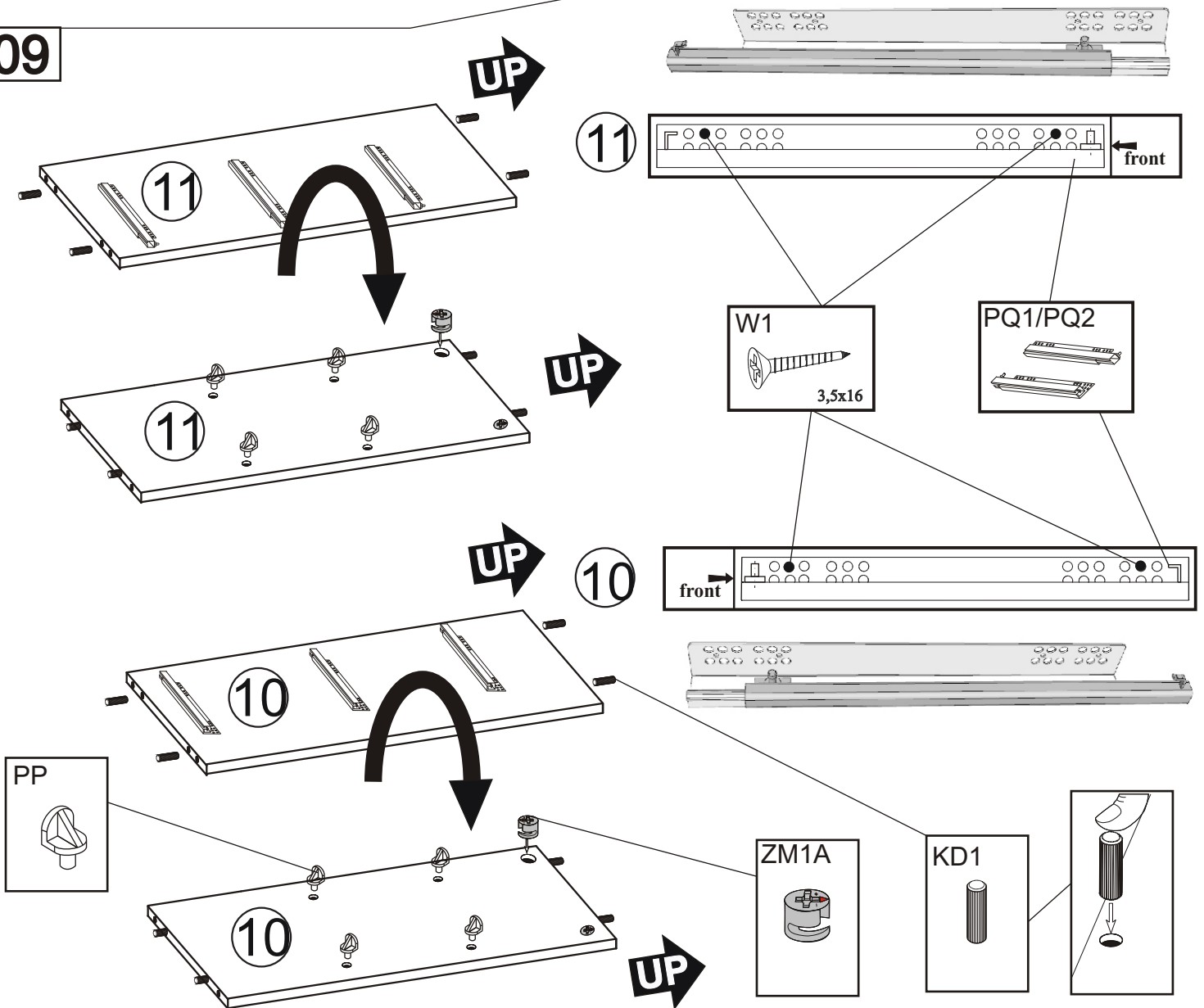
07



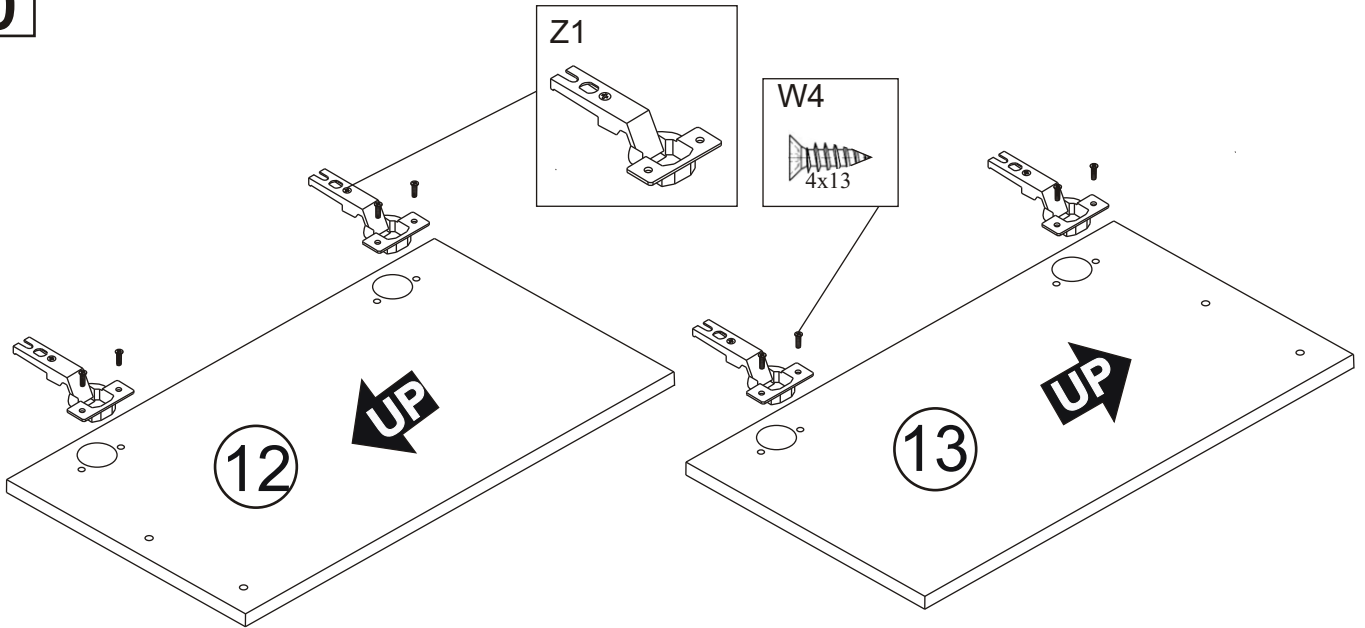
08



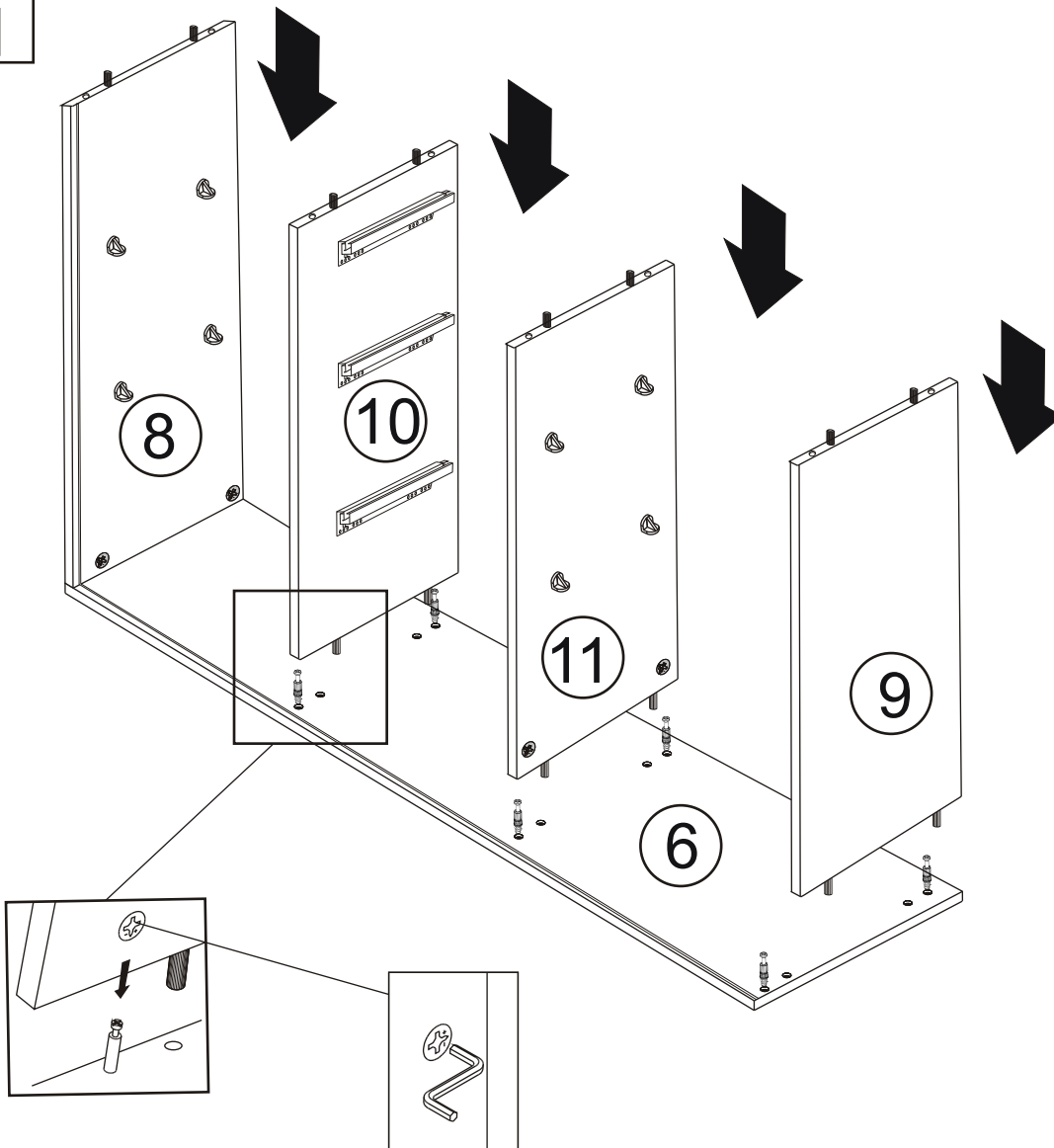
09



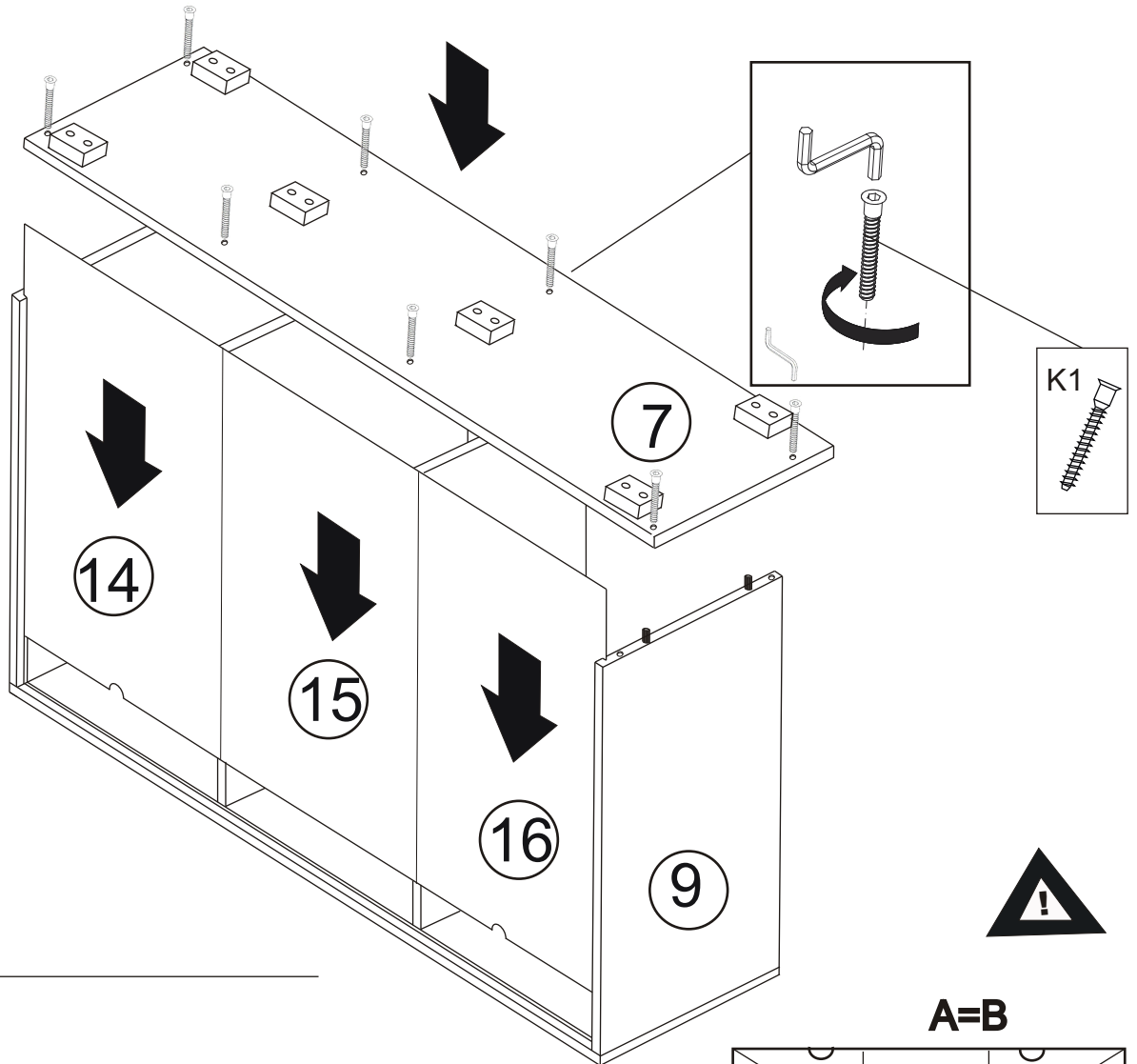
10



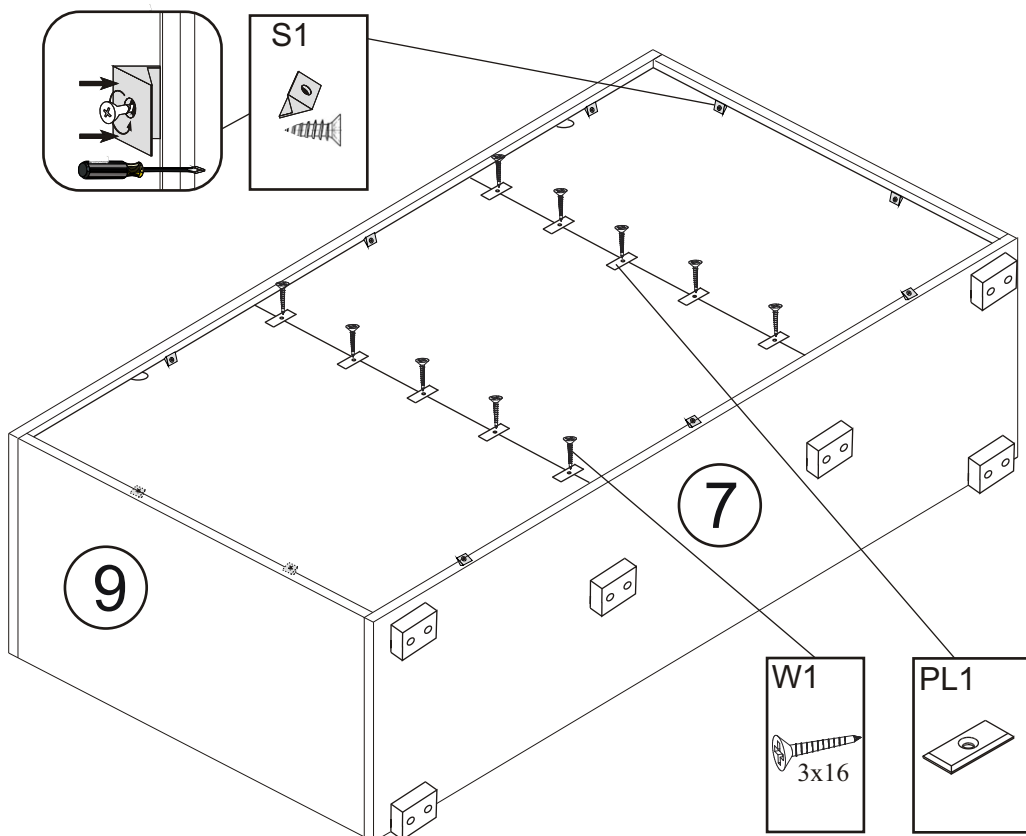
11



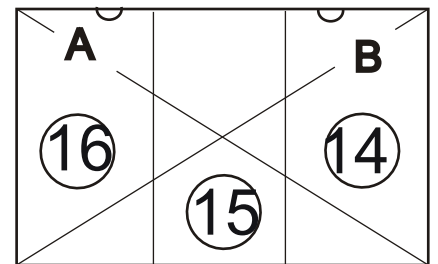
12



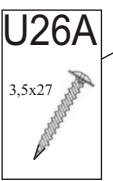
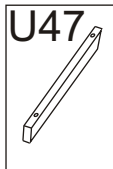
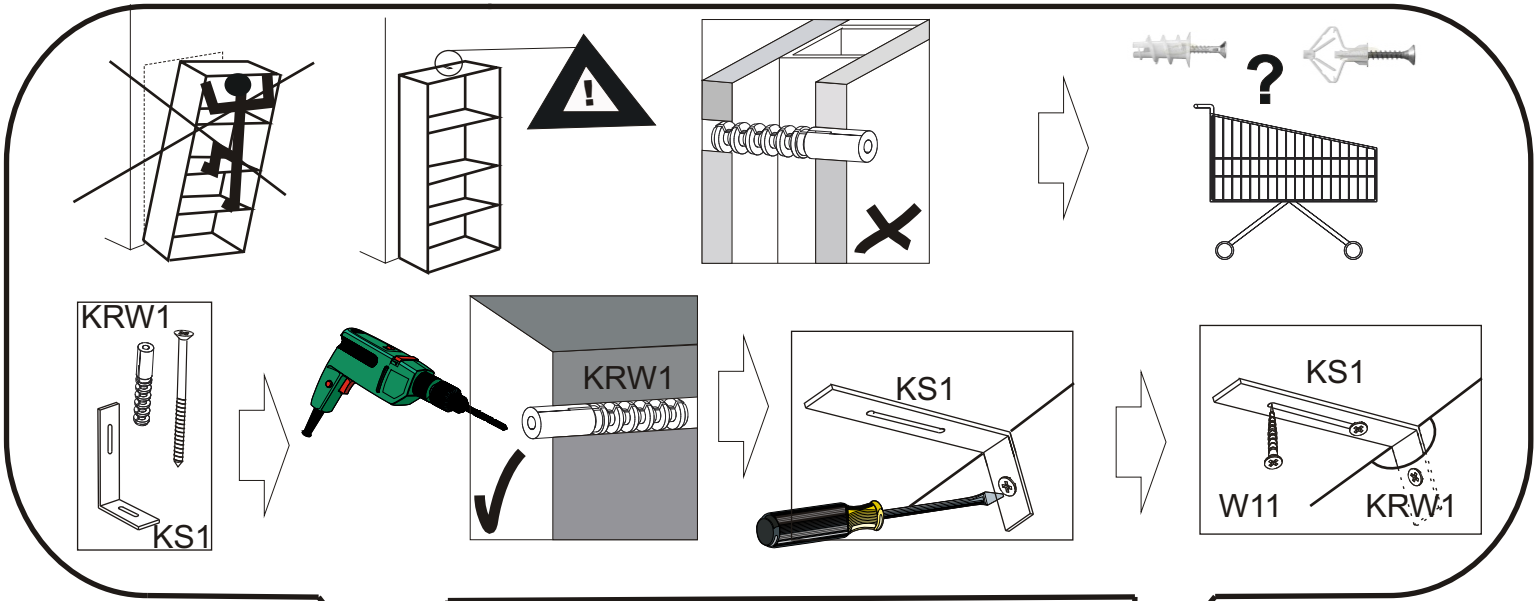
13



A=B

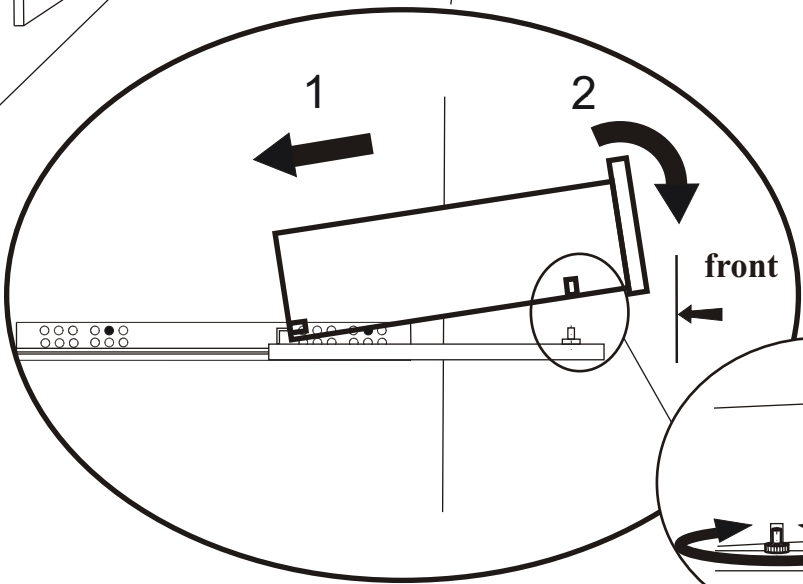
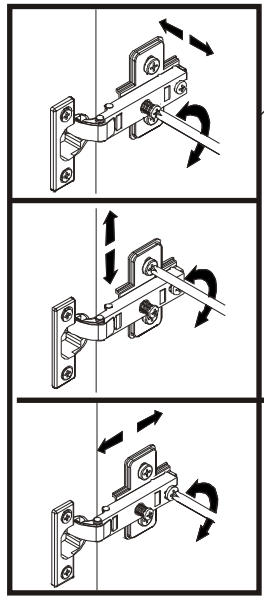
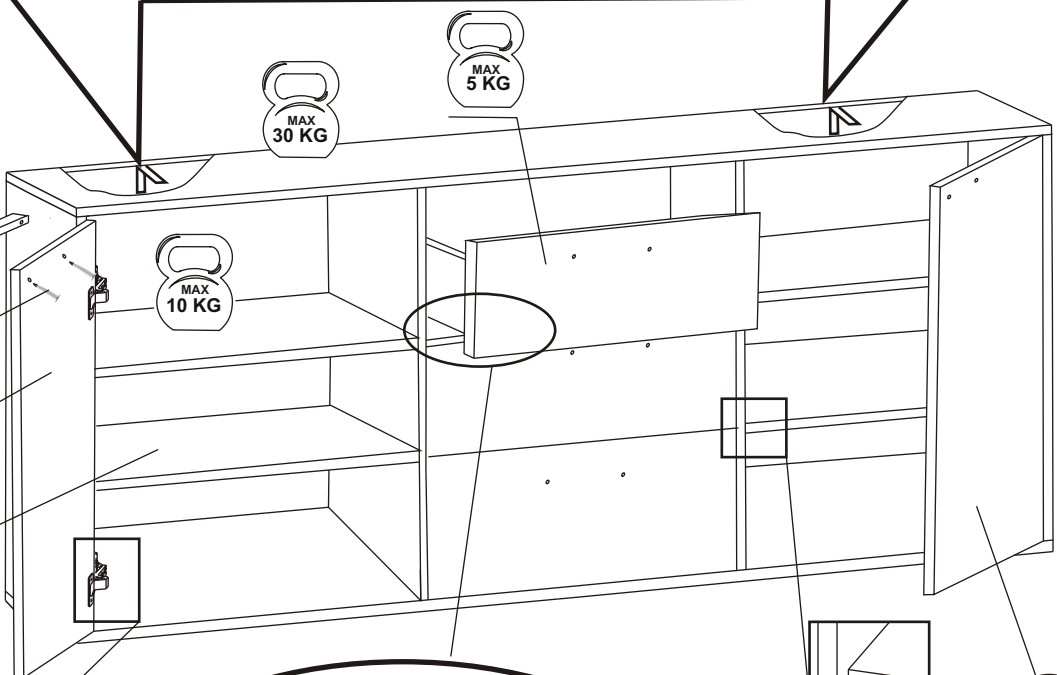


14



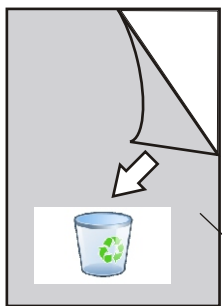
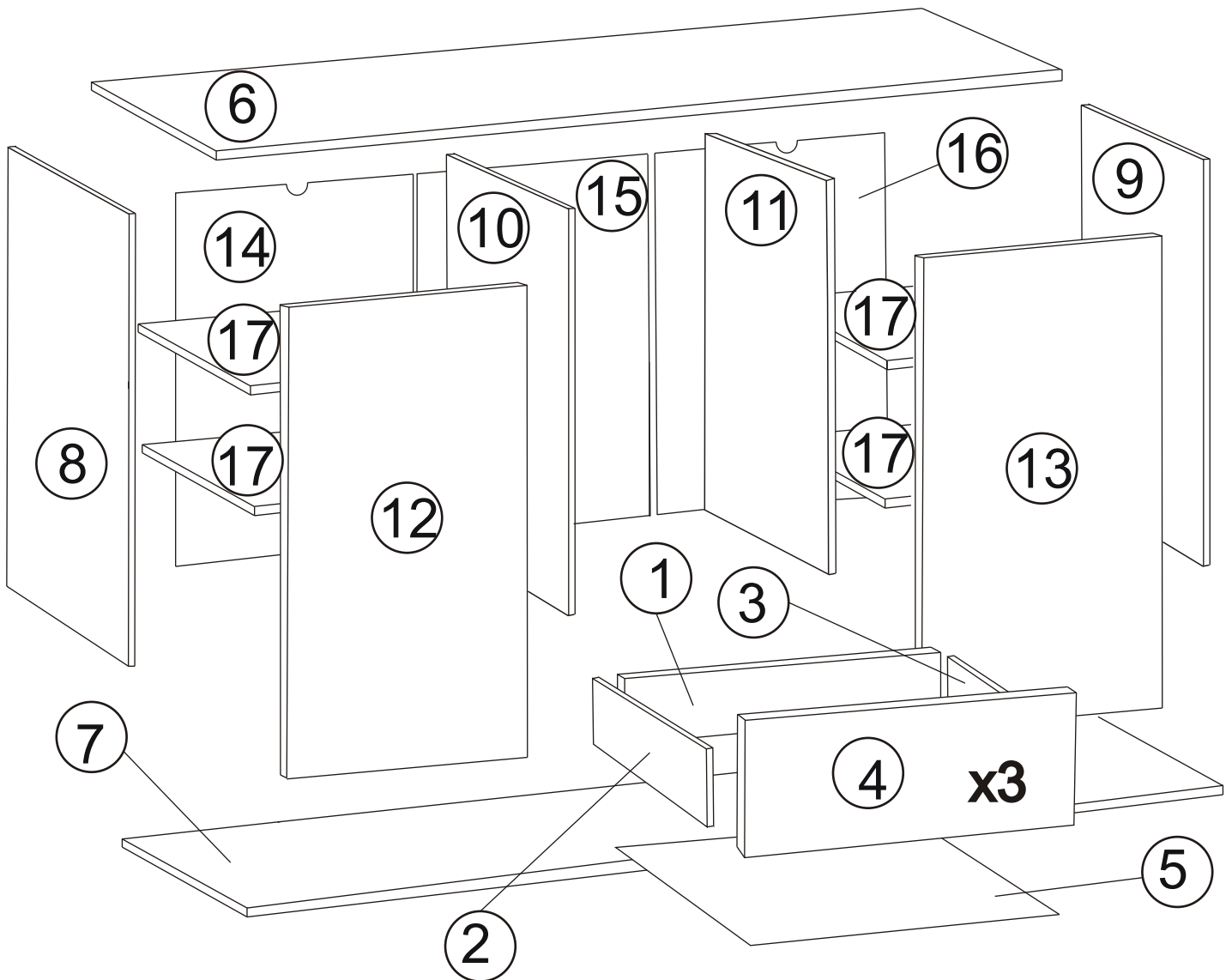
12

17



13





12

13

1/2	8	EL-MOU-KOM-5-BOK-L-BE	22x369x812	x1
	9	EL-MOU-KOM-5-BOK-P-BE	22x369x812	x1
	7	EL-MOU-KOM-5-DACH-D-BE	22x370x1250	x1
	6	EL-MOU-KOM-5-DACH-G-BE	22x370x1250	x1
	2	EL-MOU-KOM-5-BOCZ-SZ-L-BI	16x180x310	x3
	3	EL-MOU-KOM-5-BOCZ-SZ-P-BI	16x180x310	x3
	5	EL-MOU-KOM-5-DNO-SZ-HDF-BI	3x315x359	x3

2/2	4	EL-MOU-KOM-5-FRO-SZ-BE	16x398x266	x3
	17	EL-MOU-KOM-5-PÓŁKA-BI	16x318x394	x4
	1	EL-MOU-KOM-5-TYLNIAK-SZ-BI	16x167x345	x3
	10	EL-MOU-KOM-5-PRZEG-L-BI	16x333x812	x1
	11	EL-MOU-KOM-5-PRZEG-P-BI	16x333x812	x1
	12	EL-MOU-KOM-5-FRO-L-BI SQ	16x398x804	x1
	13	EL-MOU-KOM-5-FRO-P-BI SQ	16x398x804	x1
	14	EL-MOU-KOM-5-PLECY-HDF-L-BI	3x411x828	x1
	16	EL-MOU-KOM-5-PLECY-HDF-P-BI	3x411x828	x1
	15	EL-MOU-KOM-5-PLECY-HDF-S-BI	3x401x828	x1