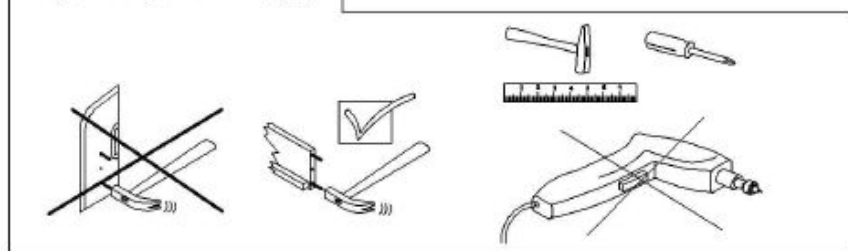
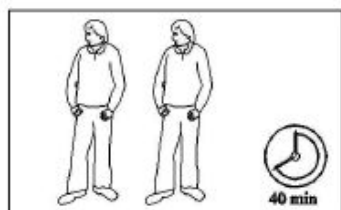
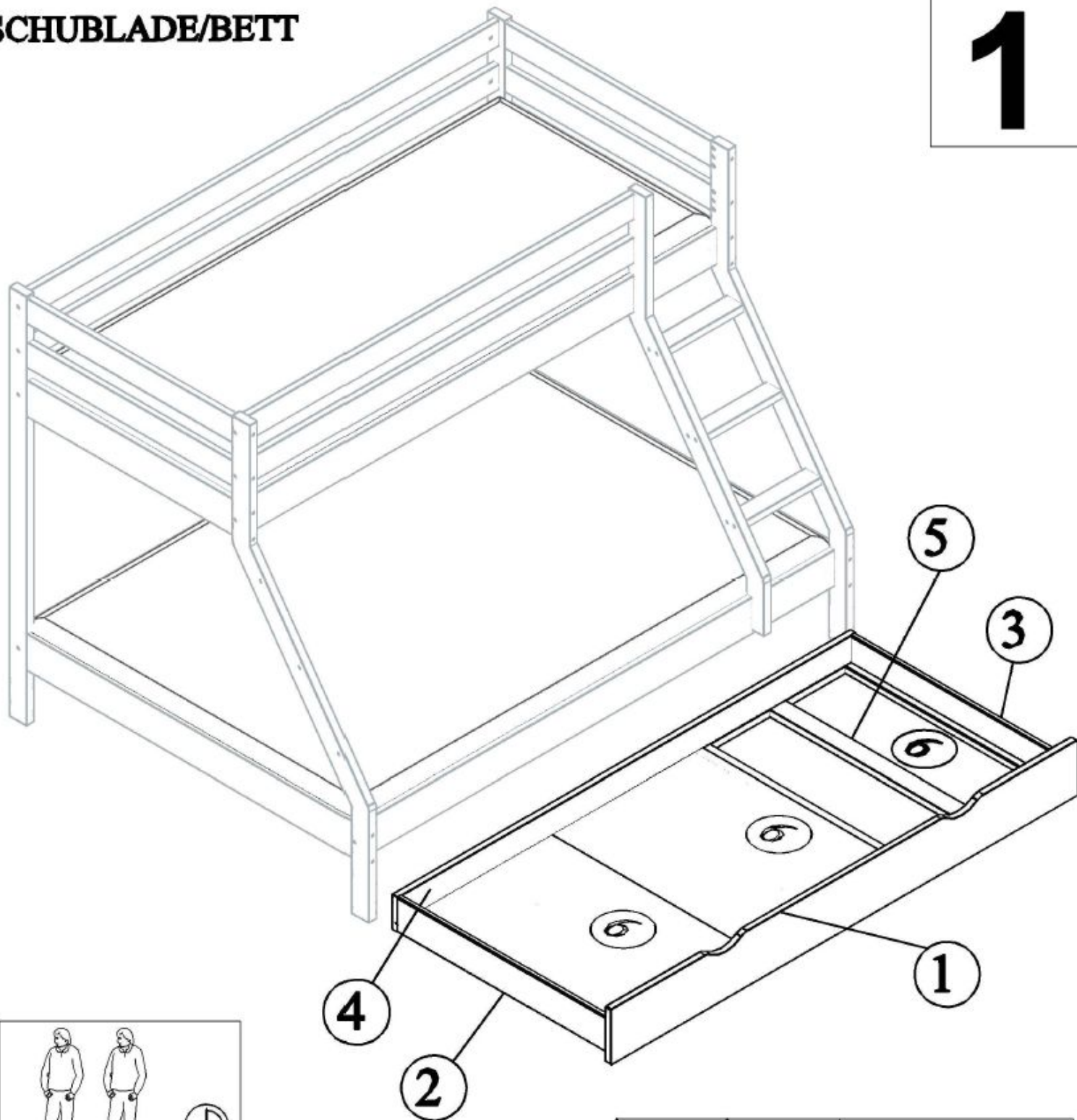


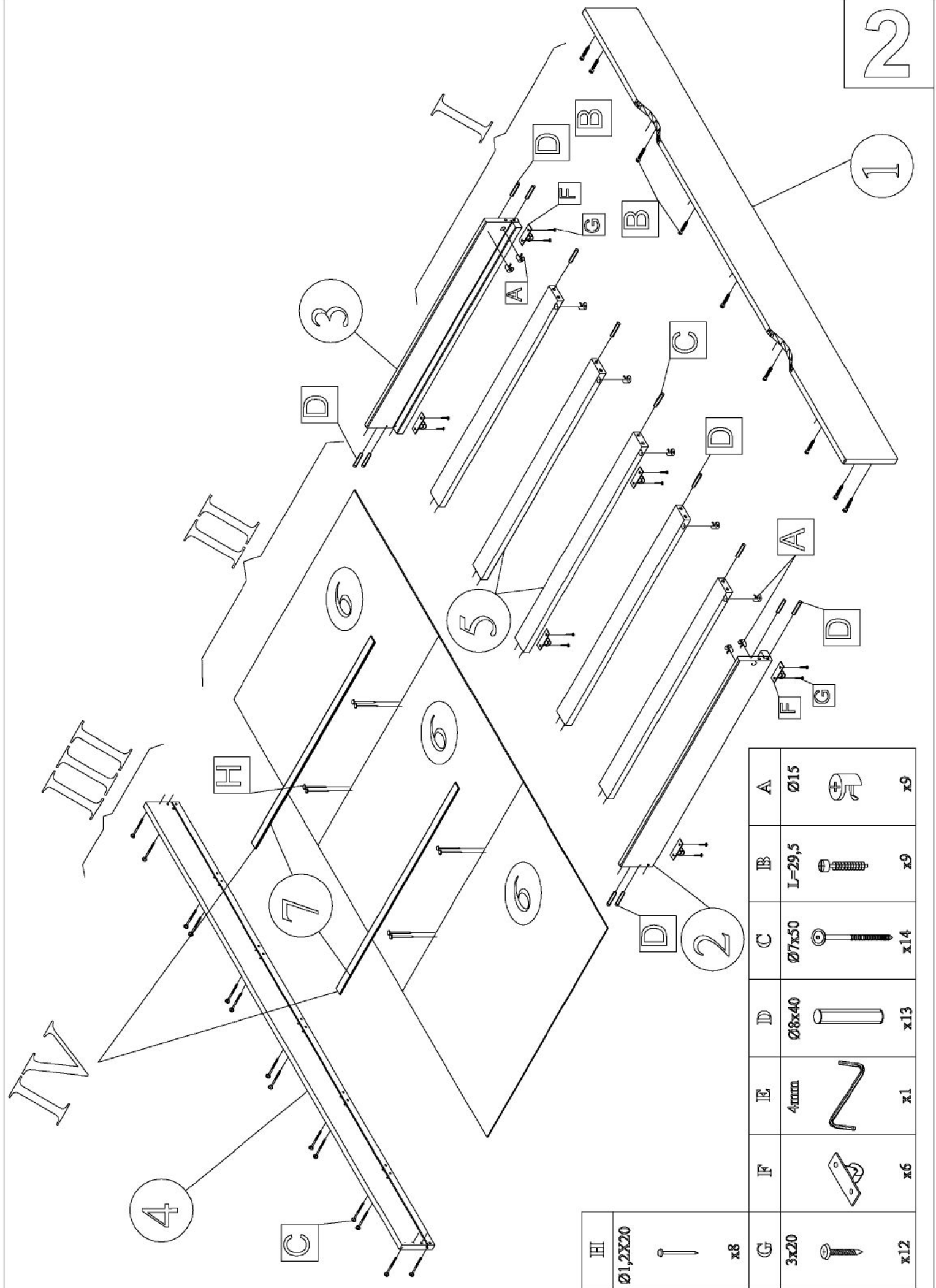
SCHUBLADE/BETT

1



A	B	C	D	E	F	G
Ø15	L=29,5	Ø7x50	Ø8x35	4mm		3,5x16
x9	x9	x14	x13	x1	x6	x20

TEILE -NR	ANZAHL	MASS H X B X T(MM)
①	1	1974 X 200 X 20
②	1	900 X 125 X 18
③	1	900 X 125 X 18
④	1	1936 X 125 X 18
⑤	5	900 X 65 X 25
⑥	3	913 X 638 X 3



III	Ø1,2X20		x8
G	3x20		x12

F		x6	
E	4mm		x1
ID	Ø8x40		x13
C	Ø7x50		x14
B	L=29,5		x9
A	Ø15		x9

2

1

2

5

3

7

4

6

6

6

6

6

III

III

IV

H

A

F

B

B

D

C

D

A

F

G

D

D

D

C