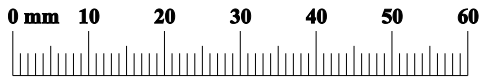
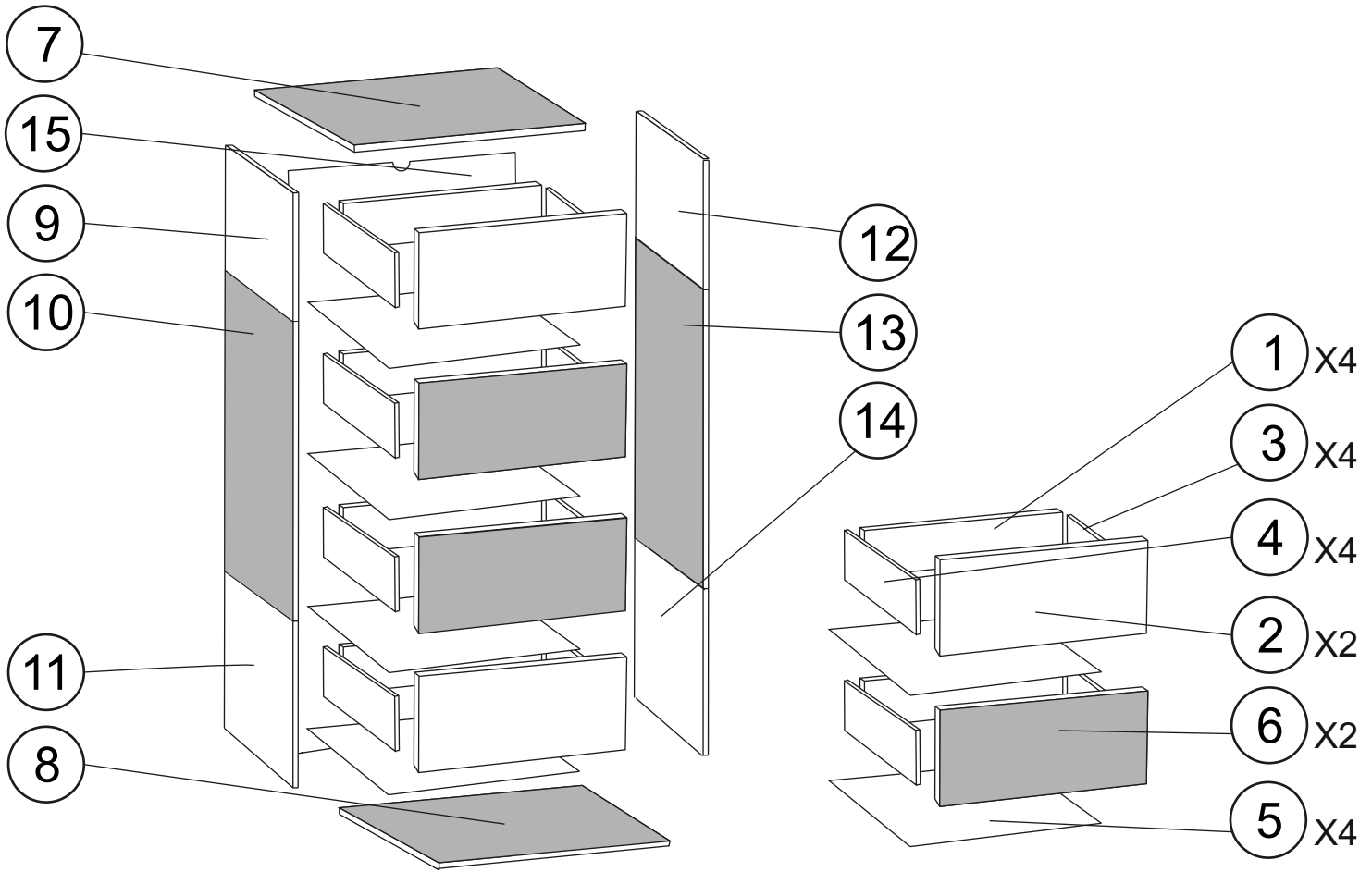


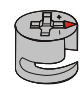

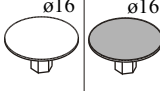

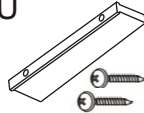

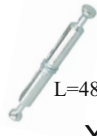






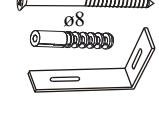
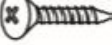


HUGO KOMMODE 4

2/10



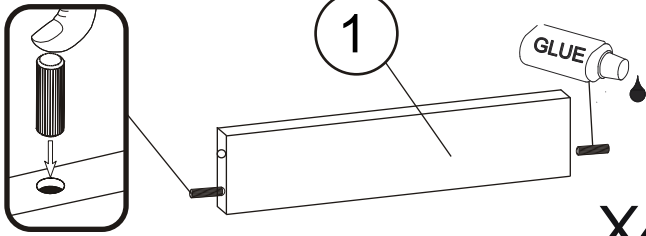
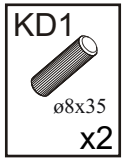
K1  ø7x50 X12	ZM1B  X12	ZM1A  X28	SS3  X4	ZM1  ø16 ø16 X8 X8
PQ1/PQ2  X4	U  ø3,5x27 X4	S1  X10	TPP1  L=48mm X8	
W1  ø3x16 X12	W11  ø3,5x16 X18	KD1  ø8x35 X32	KD2  ø7,8x60 X12	
KSK1  X1	KK1  X1	KRW1  ø8 X1	W6  ø4x20 X4	

1/1	11	16x202x461	x1
	14	16x202x461	x1
	9	16x202x461	x1
	12	16x202x461	x1
	10	16x395x461	x1
	13	16x395x461	x1
	2	16x495x196	x2
	6	16x495x196	x2
	3	16x140x350	x4
	4	16x140x350	x4
	1	16x127x427	x4
	8	22x500x480	x1
	7	22x500x480	x1
	5	3x441x355	x4
15	3x484x815	x1	

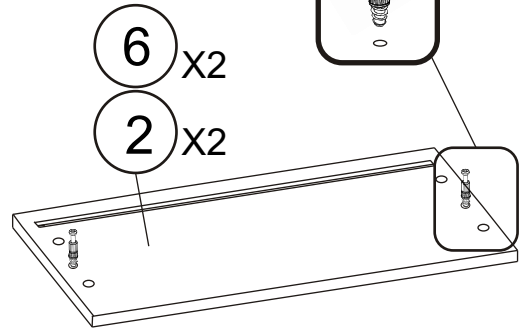
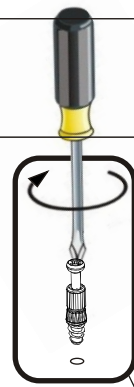
HUGO KOMMODE 4

3/10

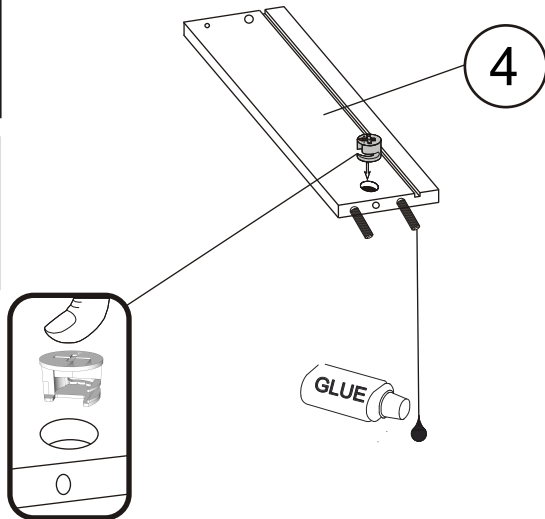
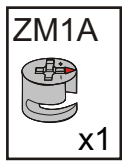
01



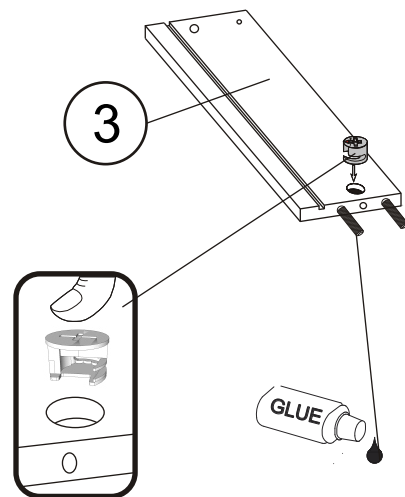
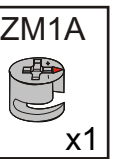
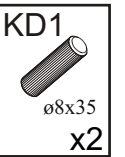
02



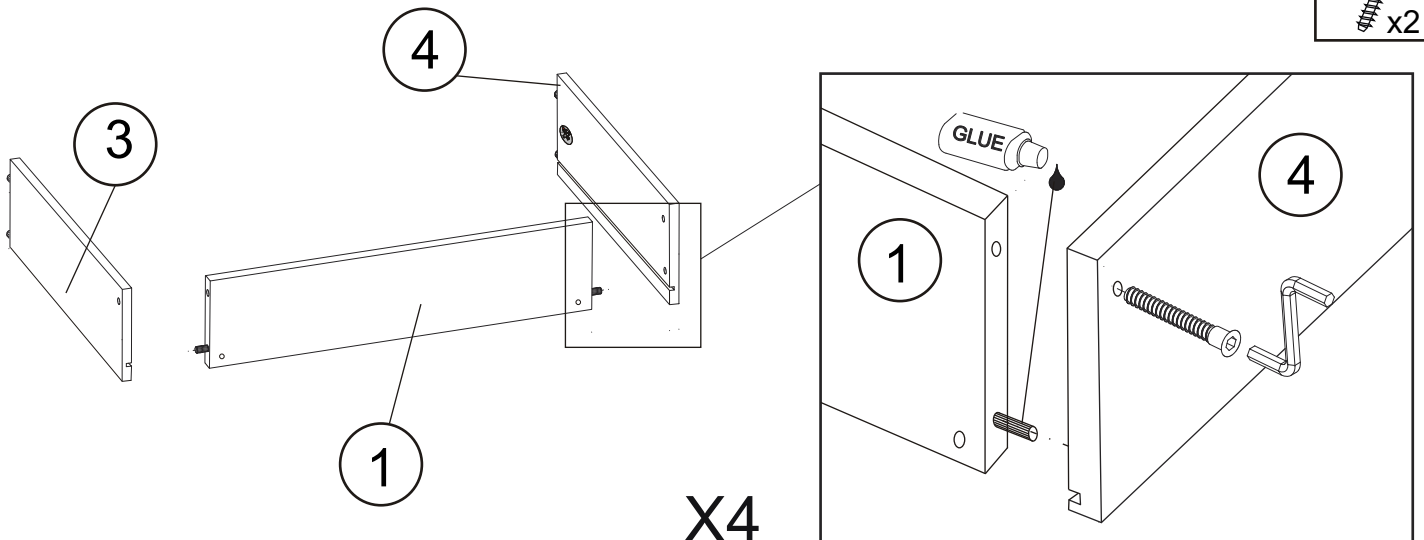
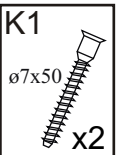
03



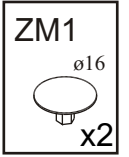
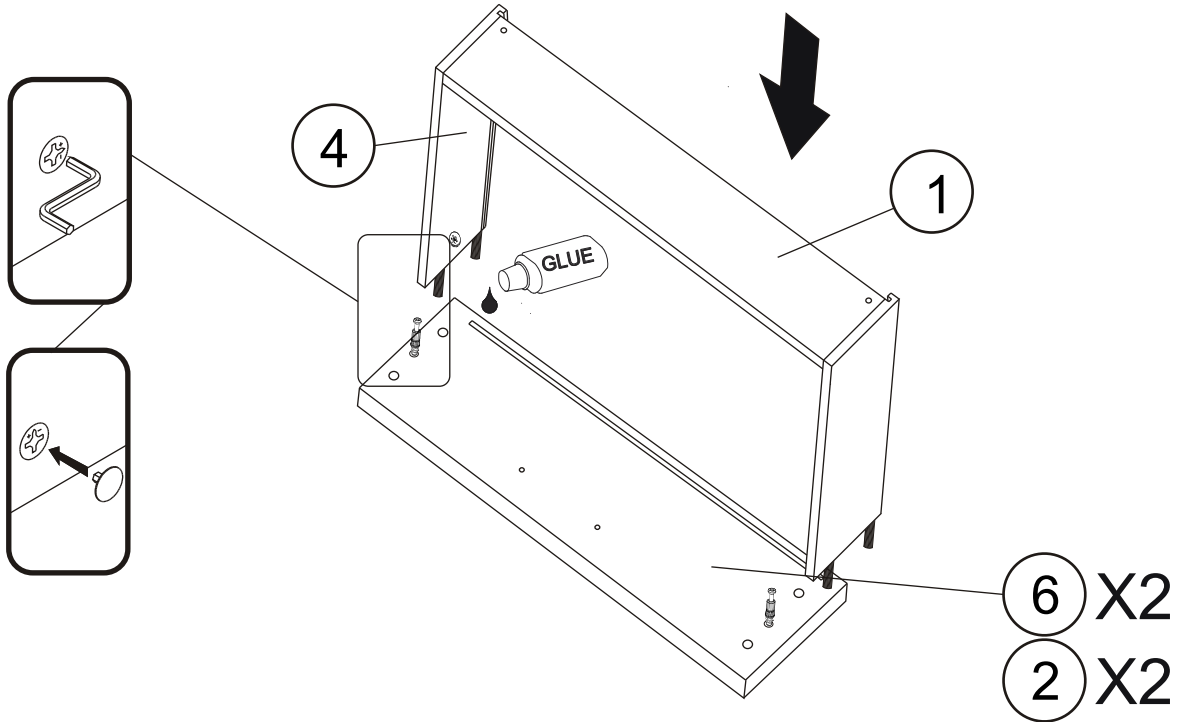
04



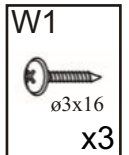
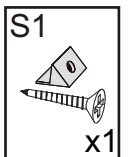
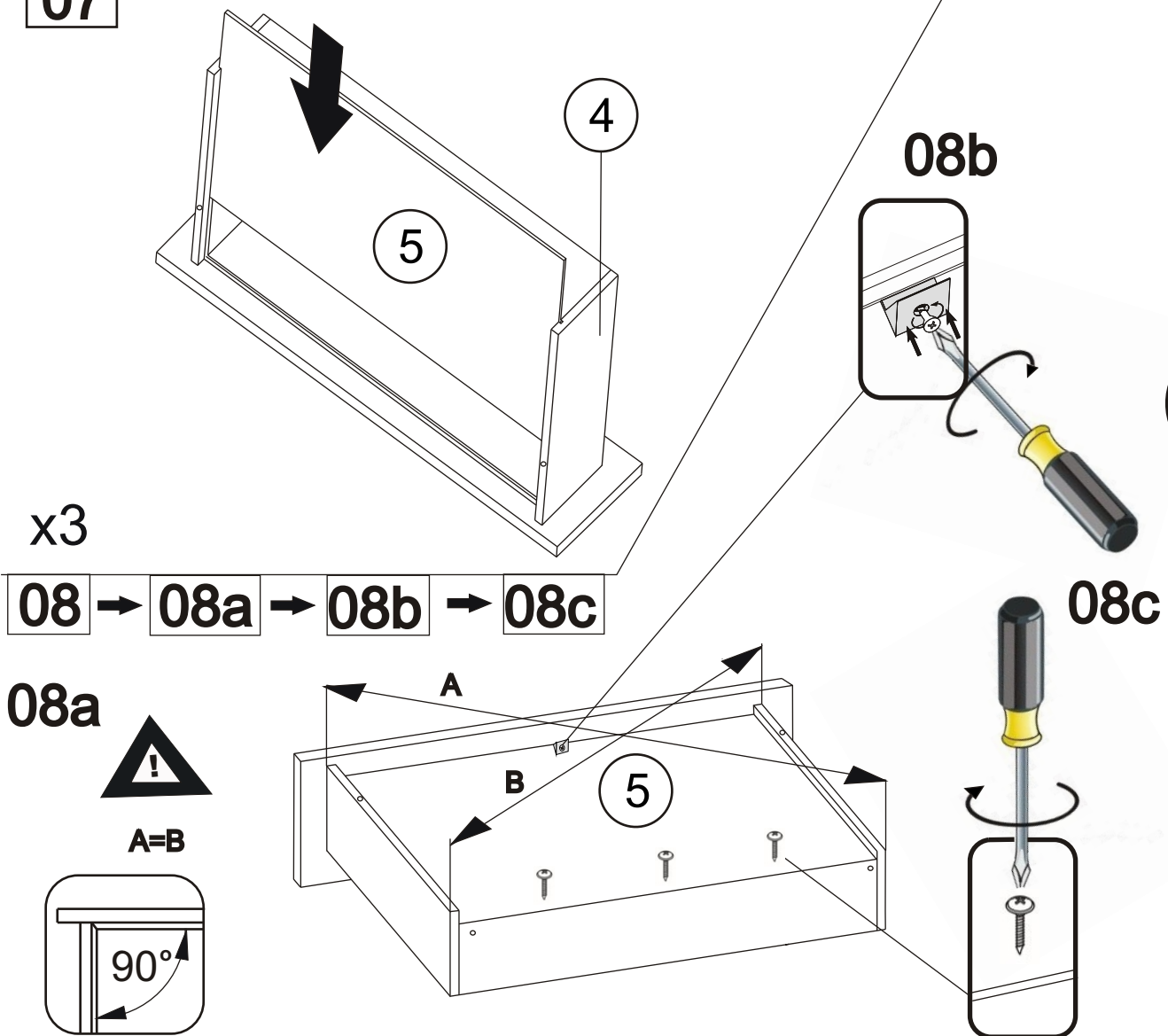
05



06



07

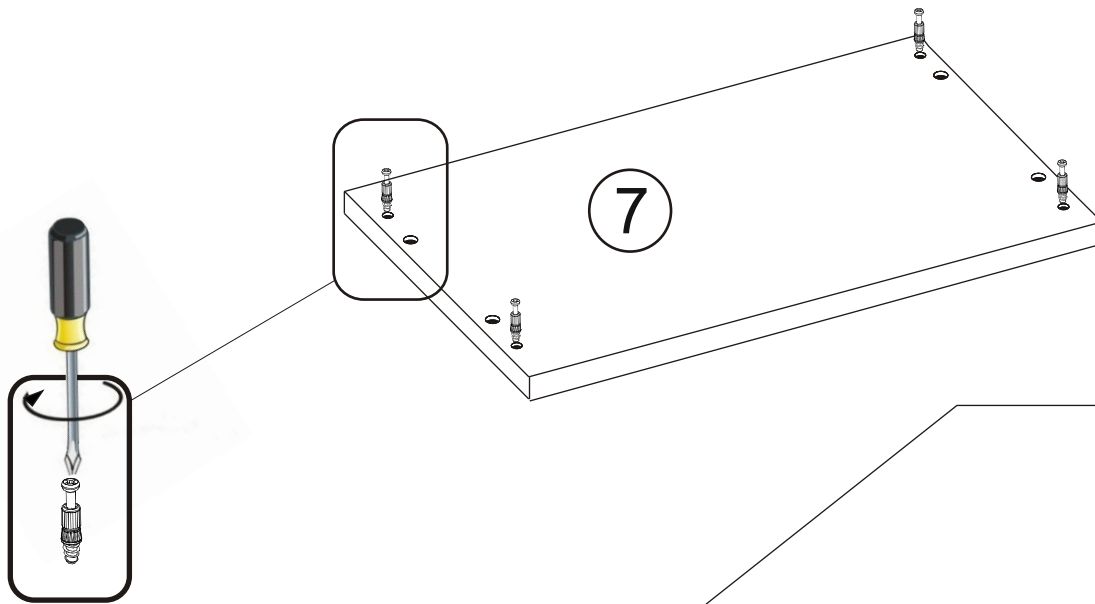


09

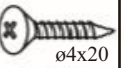
ZM1B



X4



W6



ø4x20

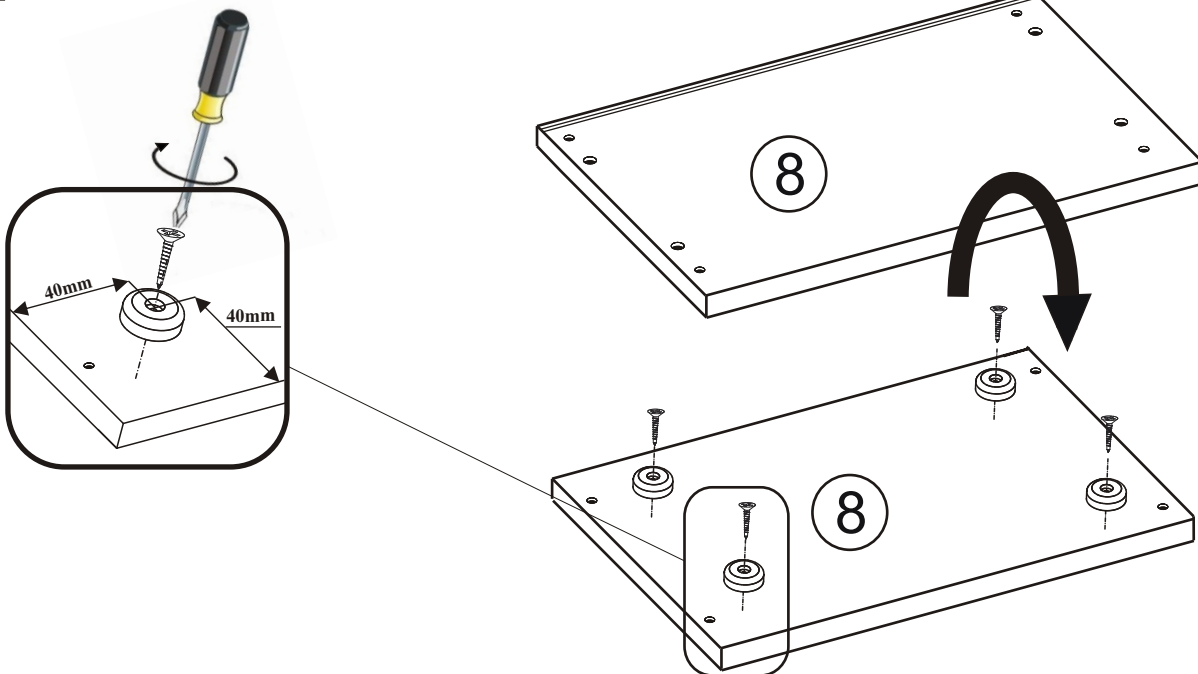
X4

SS3



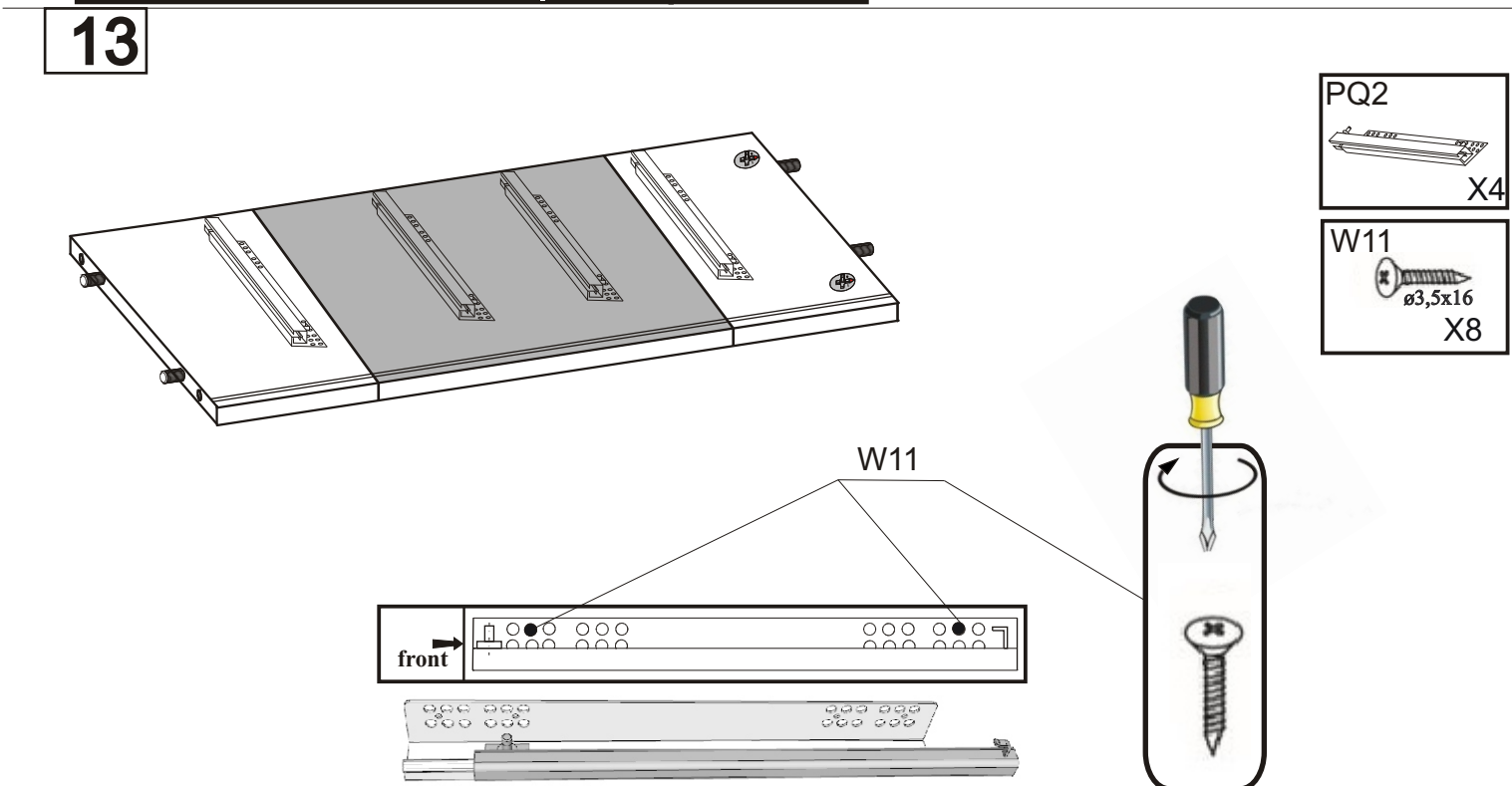
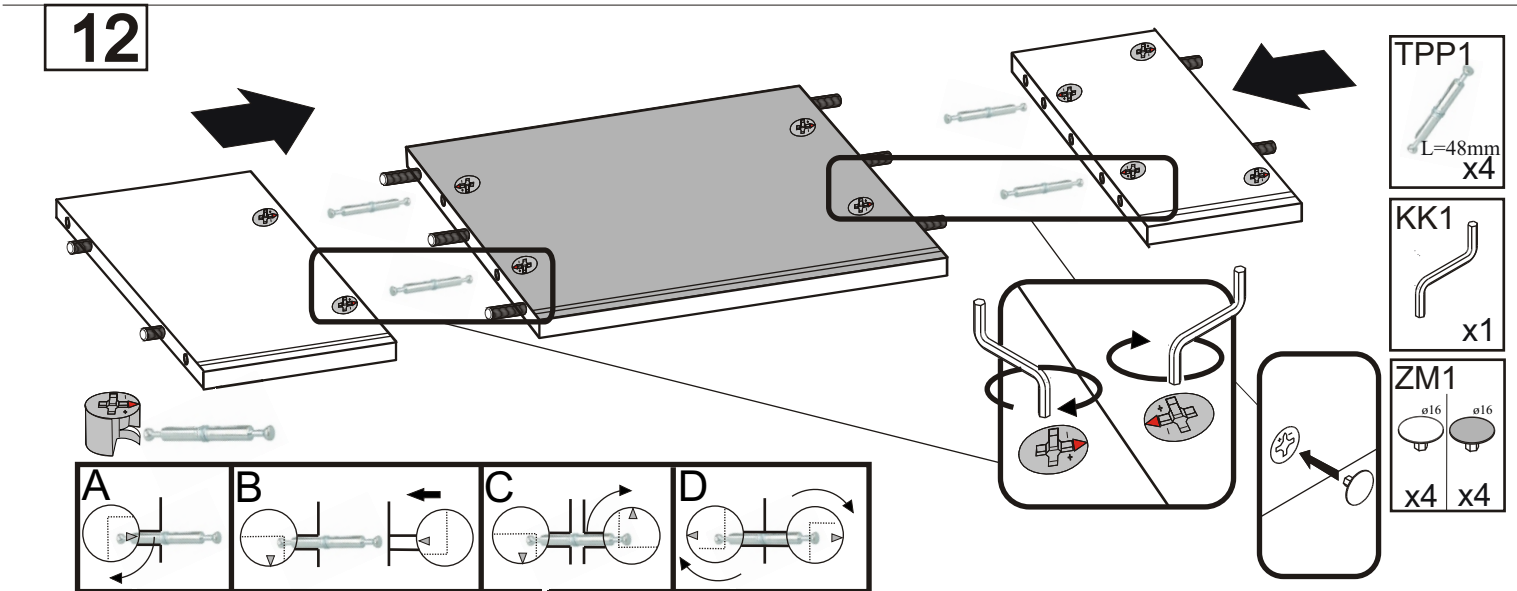
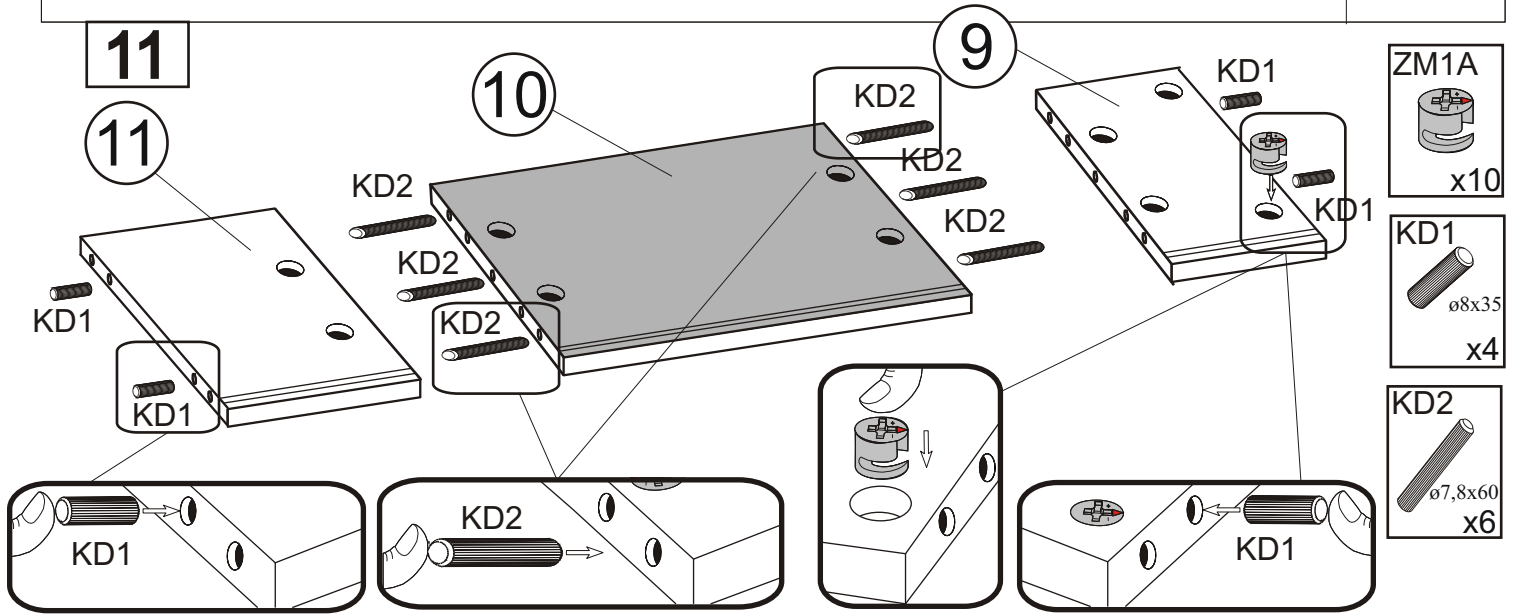
X4

10



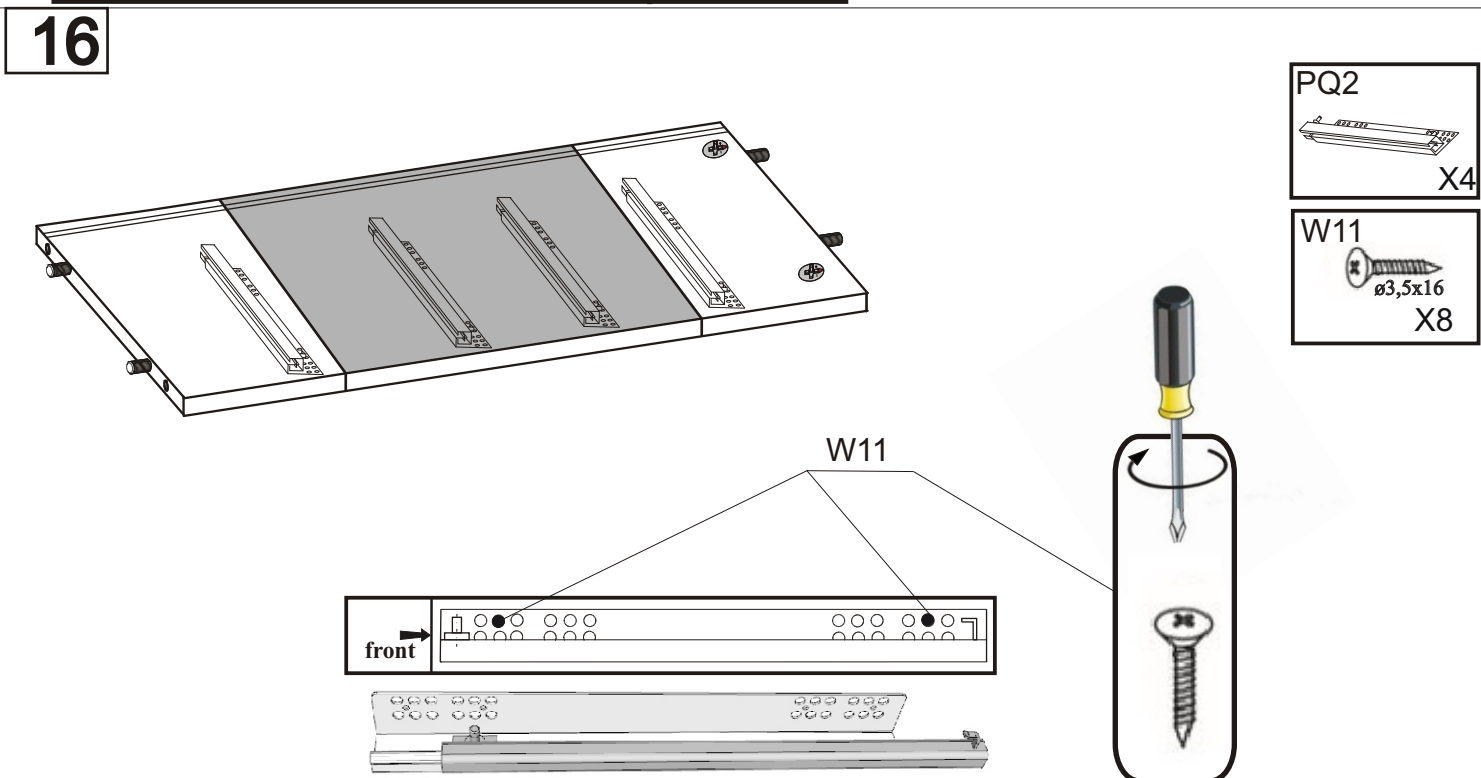
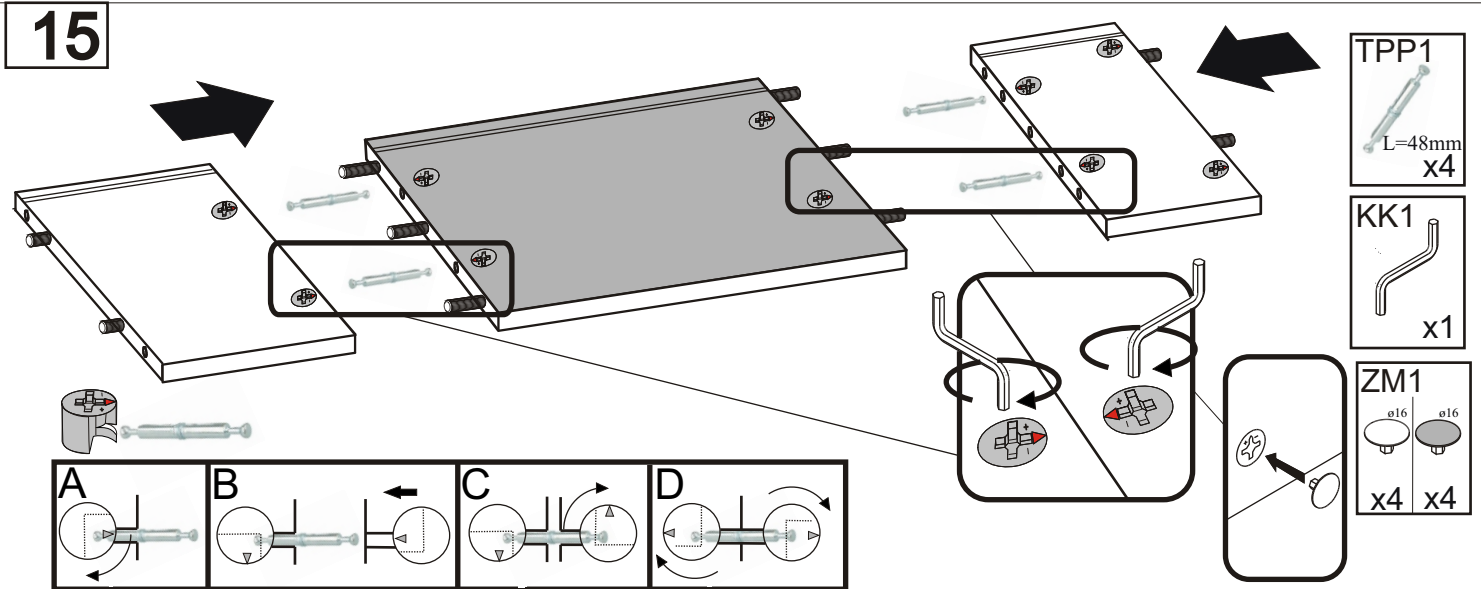
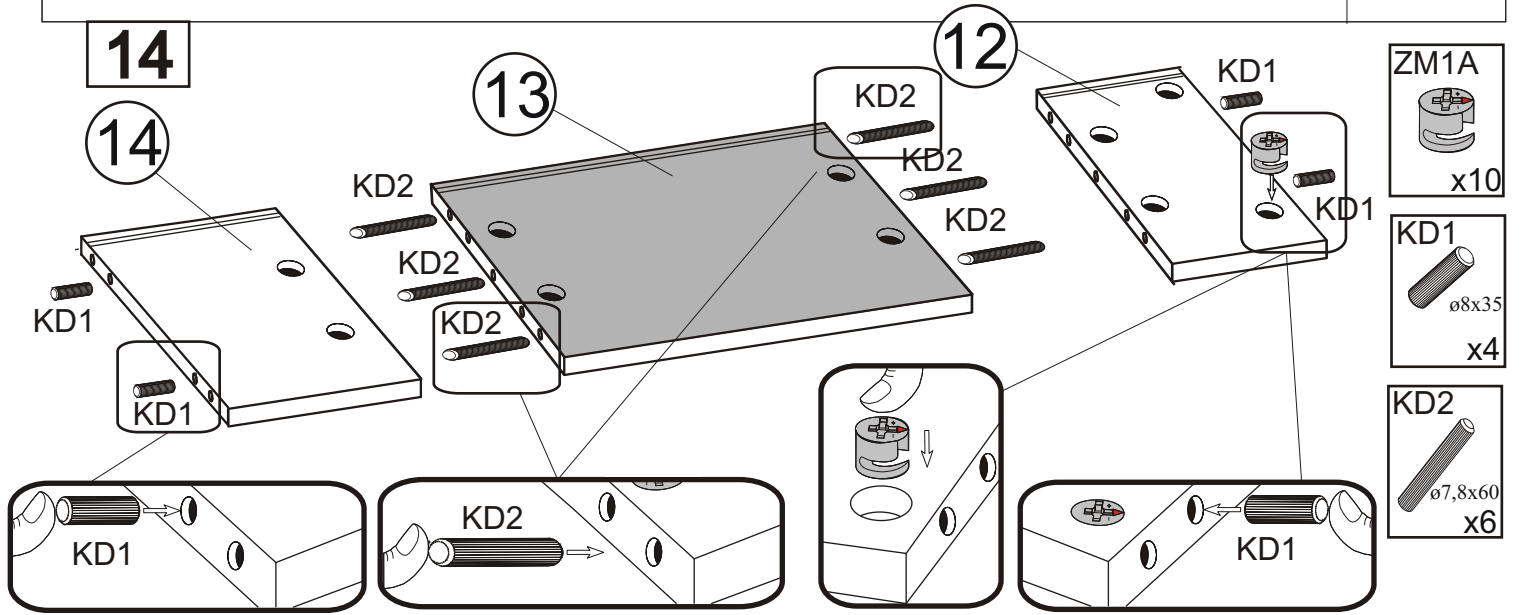
HUGO KOMMODE 4

6/10

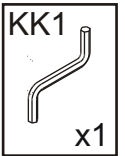
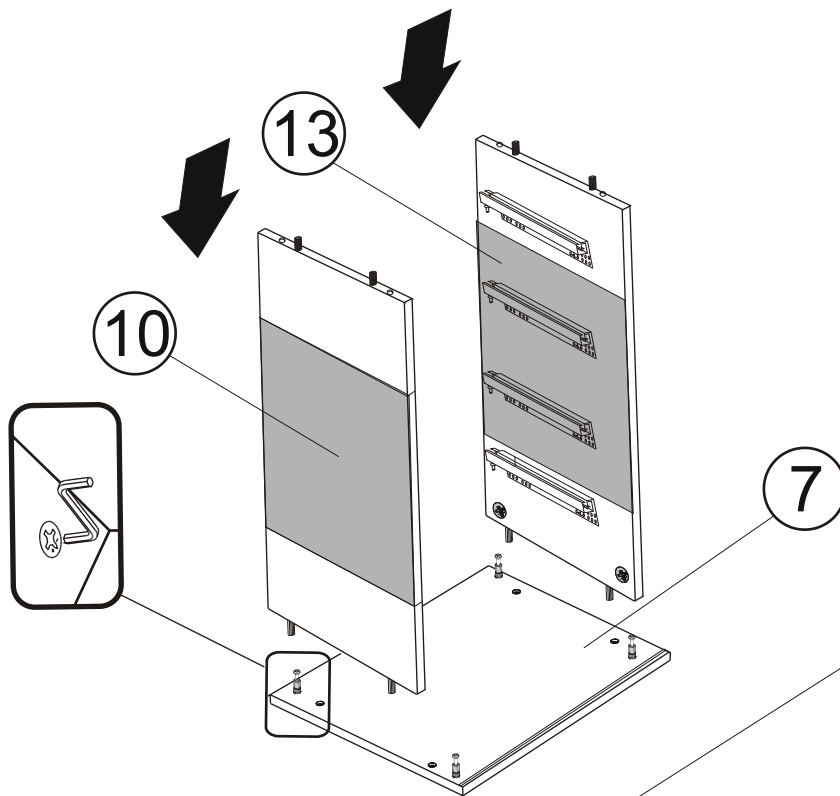


HUGO KOMMODE 4

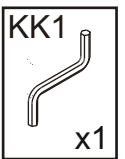
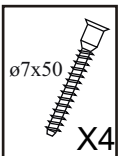
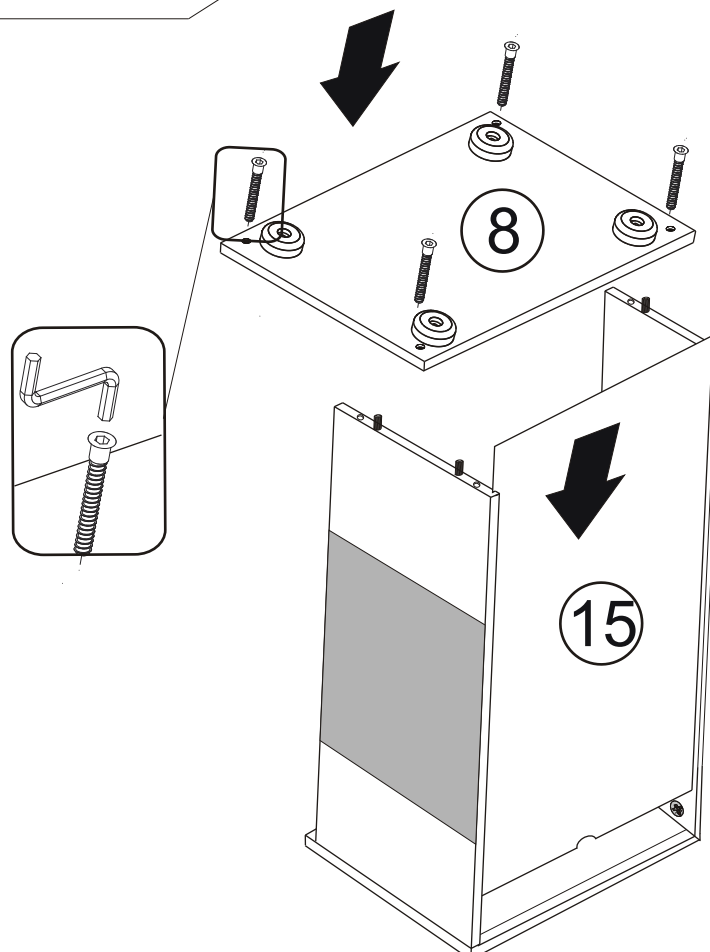
7/10



17



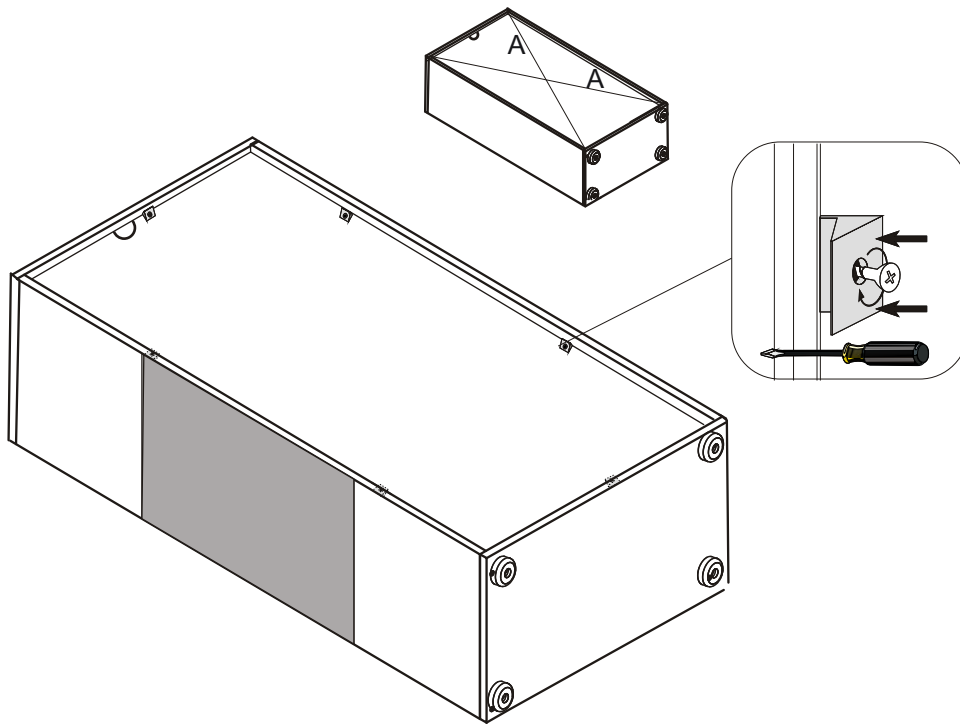
18



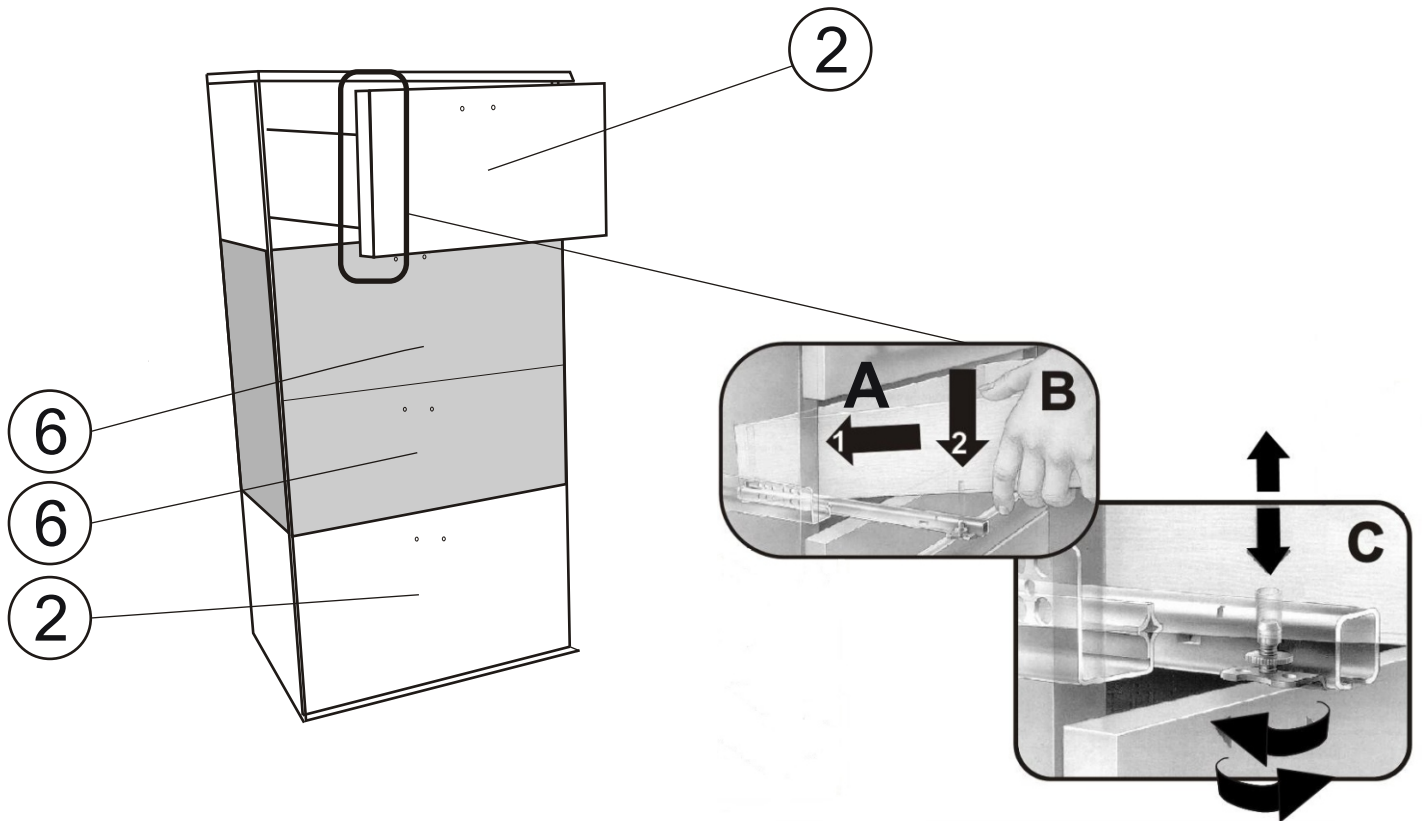
19

A=A

S1
X6



20



21

