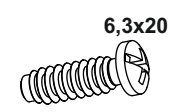
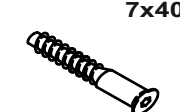




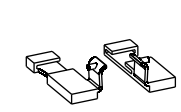
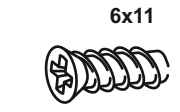
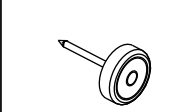


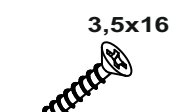
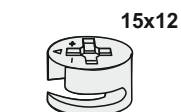
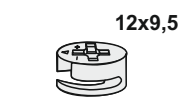
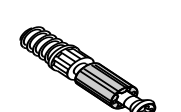
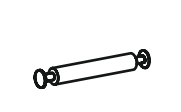
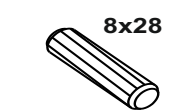
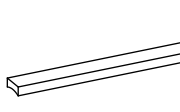
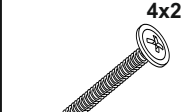
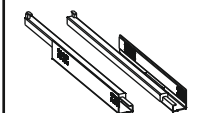
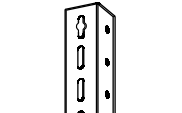
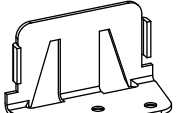
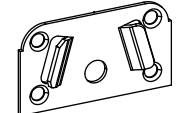
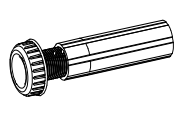
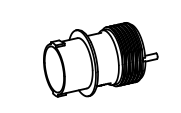
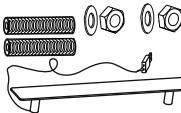
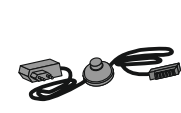
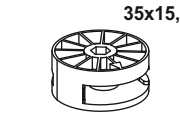
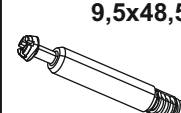
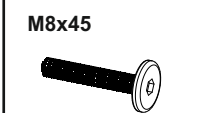
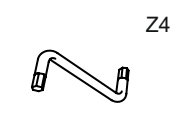
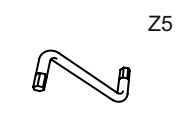
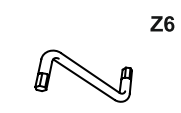


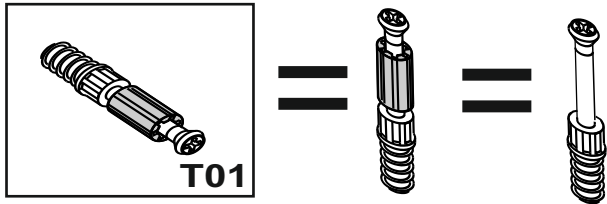
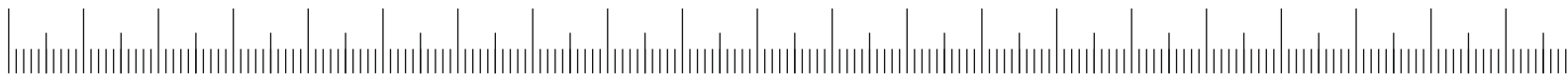
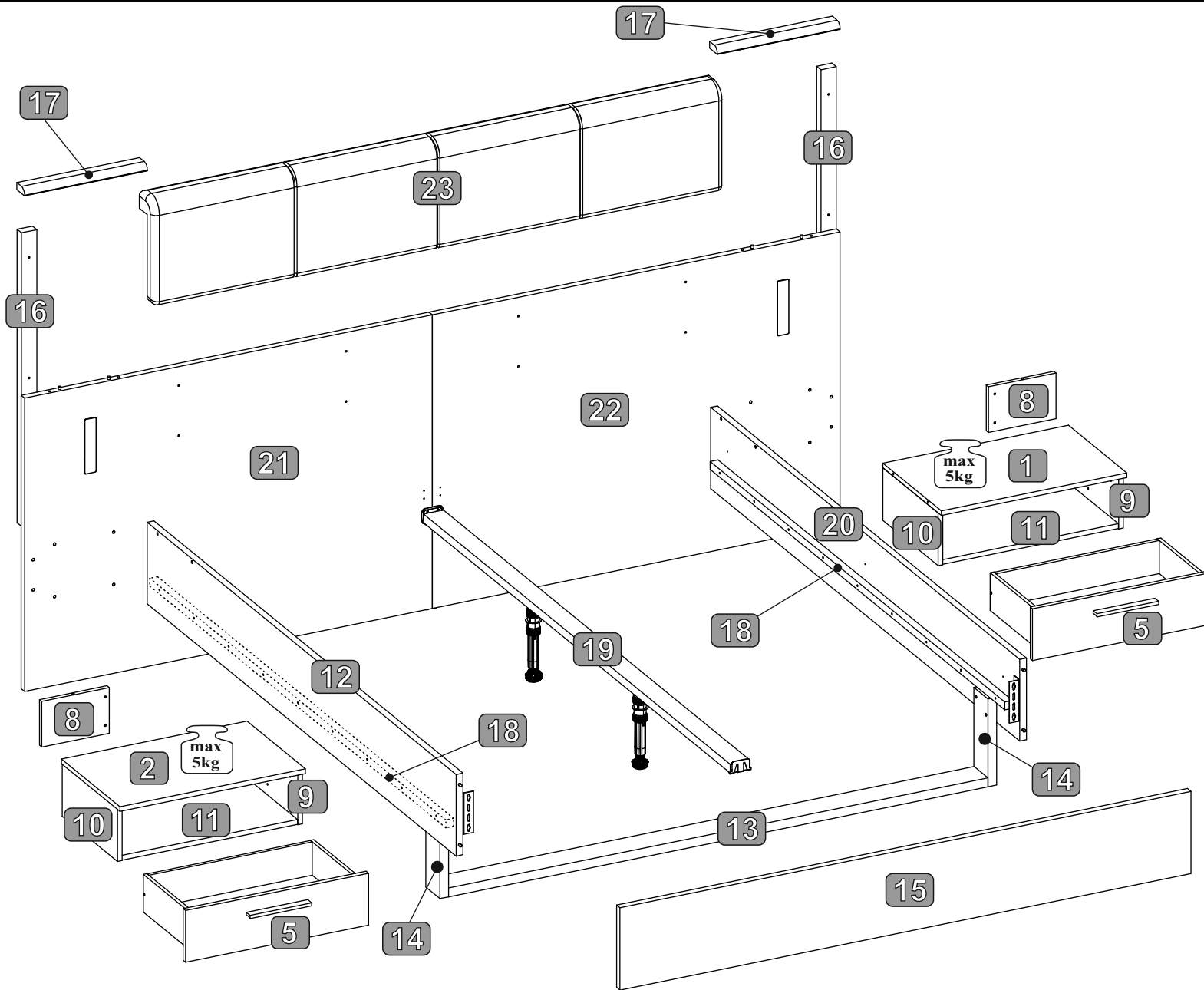
 7x70 18x W70	 6,3x20 16x W29	 7x40 4x W40	 5x40 4x W16	 4x30 4x W23	 4x40 40x W28	 G10 8x	 B12 2xL+R	 6x11 8x W12	 S01 8x
 3,5x13 8x W02	 R01 8x	 3,5x16 12x W30	 15x12 32x T02	 12x9,5 4x T12	 T01 28x	 T03 4x	 8x28 56x D01	 U50 2x	 4x25 4x W05
 P05 2xL+R	 L03 2x	 L08 2x	 L08 2x	 NOG 2x	 REG 4x	 O54 2x	 O51 1x	 35x15,2 2x T14	 9,5x48,5 2x T13
 M8x45 4x Y08	 Z4 2x K01	 Z5 1x K03	 Z6 1x K04	 L3 1x K02	 1x LIV'IN				

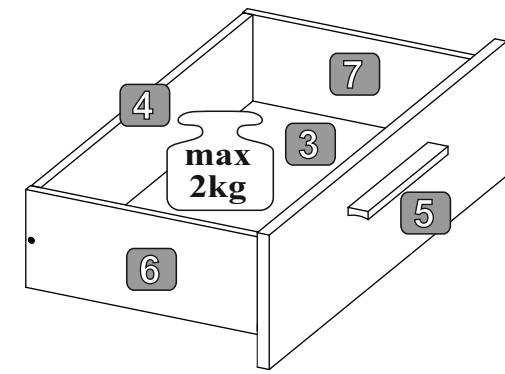


0 10 20 30 40 50 60 70 80 90 100 110 120 130 140 150 160 170 180 190 200

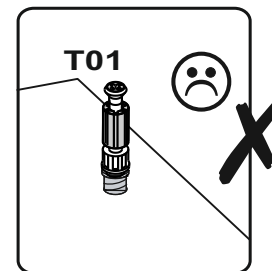
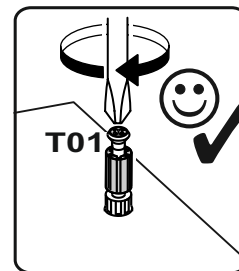
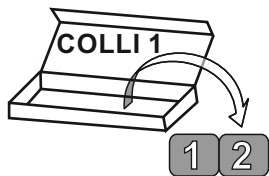
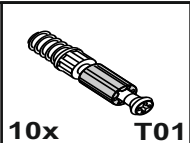




NR	DIM	QTE	COLLI
1	603x380x15	1	1/5
2	603x380x15	1	1/5
3	542x300x2	2	1/5
4	531x120x12	2	1/5
5	595x165x15	2	1/5
6	300x120x12	2	1/5
7	300x120x12	2	1/5
8	152x229x15	2	1/5
9	168x360x15	2	1/5
10	168x360x15	2	1/5
11	571x359x15	2	1/5
12	2010x260x22	1	2/5
13	1754x90x28	1	2/5
14	280x92x28	2	2/5
15	1856x262x22	1	2/5
16	935x50x28	2	2/5
17	399x51x22	2	2/5
18	1916x25x25	2	2/5
19	1993x65x28	1	2/5
20	2010x260x22	1	2/5
21	1325x935x22	1	3/5
22	1325x935x22	1	4/5
23	1854x340x90	1	5/5



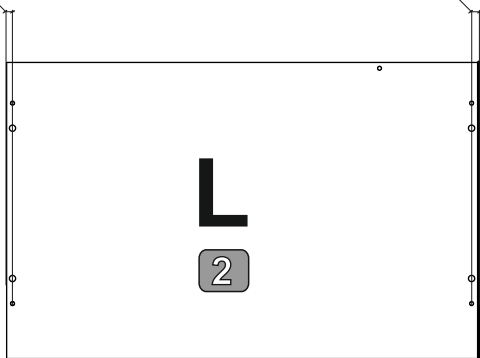
1



7,5mm

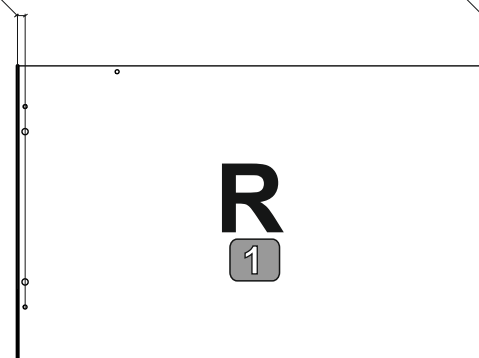


9,5mm

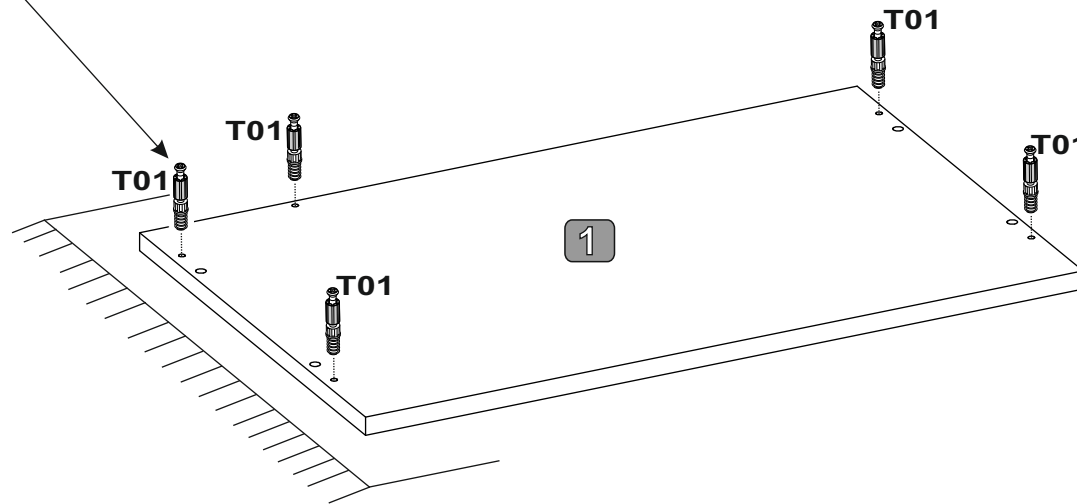
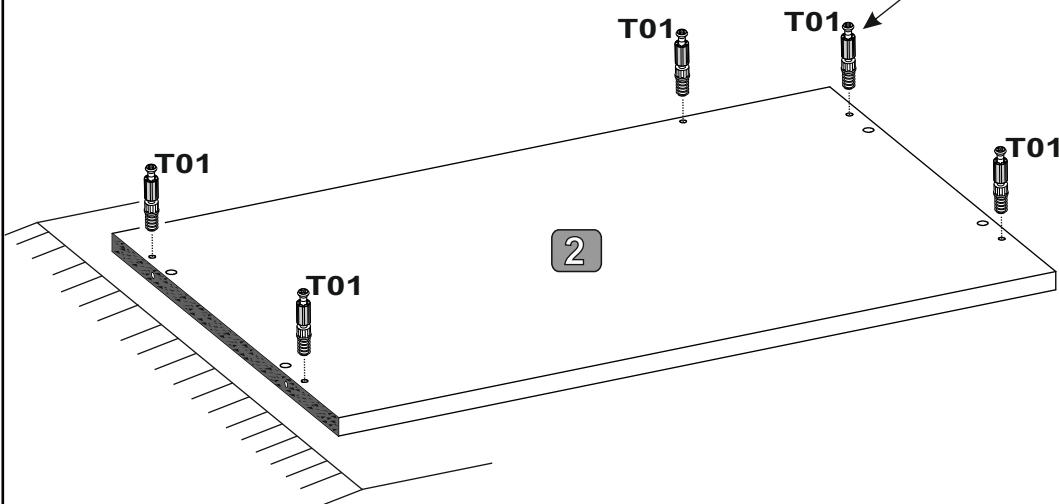
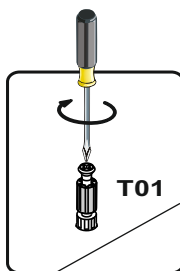


9,5mm

7,5mm



10x



2

15x12 12x T02	8x28 8x D01	2x T01
---------------------	-------------------	-----------

COLLI 1

8 11

4x

T02

T02

4x

T02

D01

D01

D01

D01

11

L

11

T01

D01

D01

D01

D01

11

R

11

T01

T01

T01

T01

[2x]

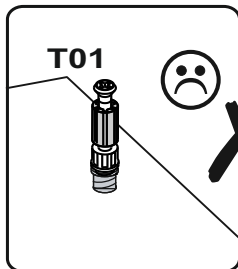
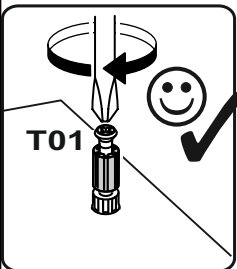
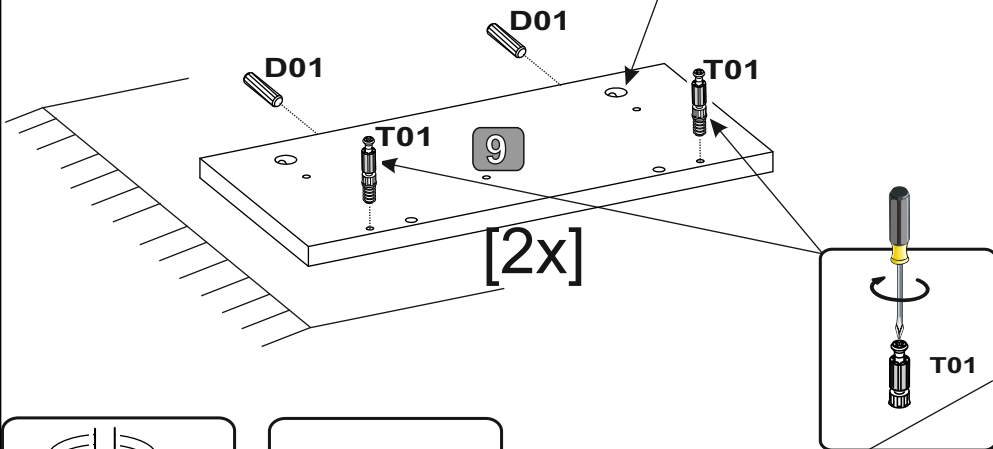
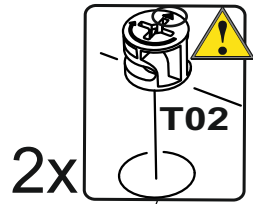
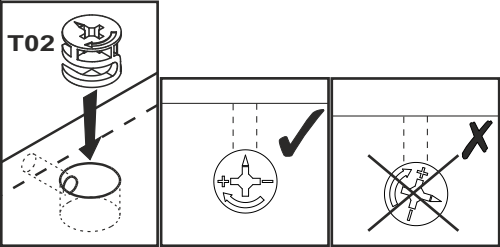
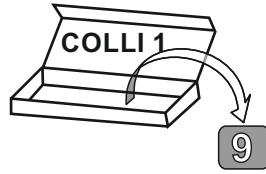
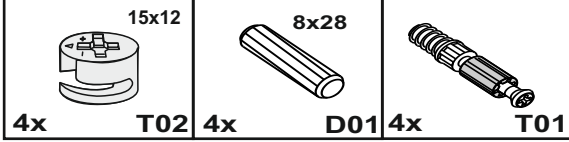
8

T02

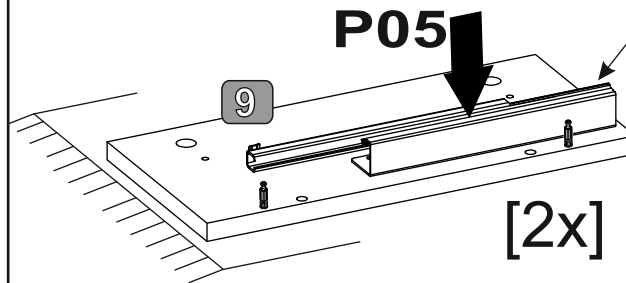
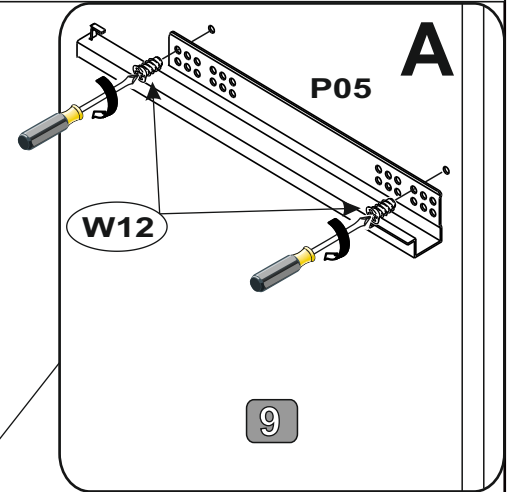
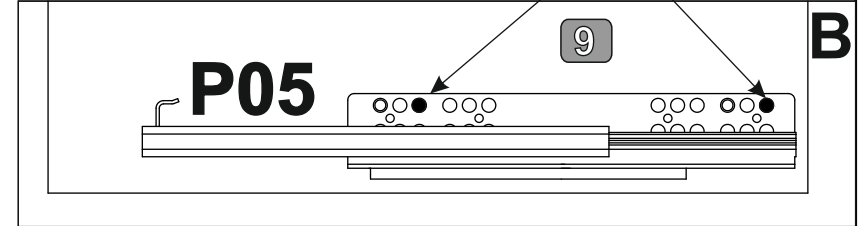
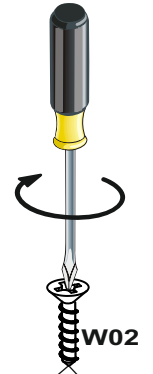
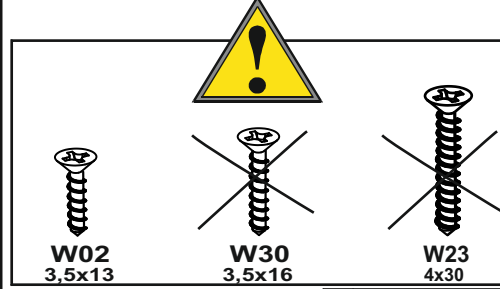
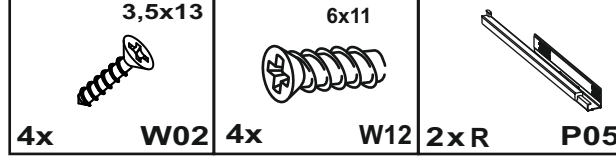
RIVOLI

22-705

3



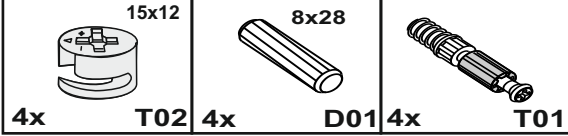
4



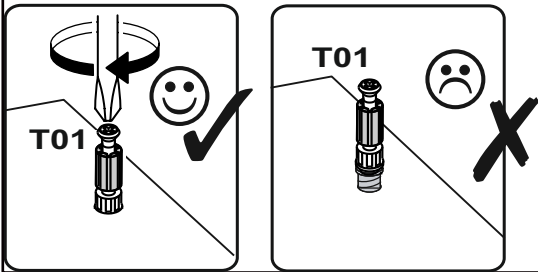
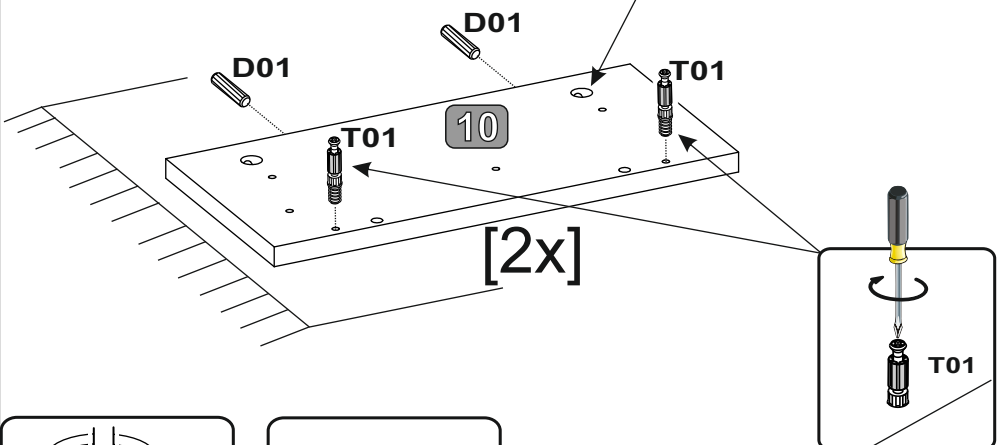
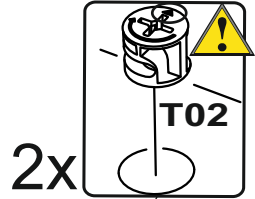
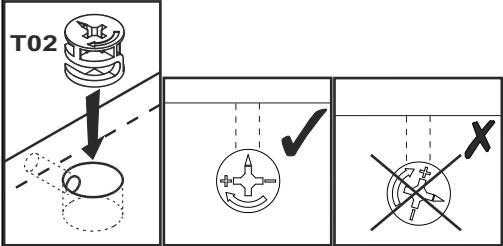
RIVOLI

22-705

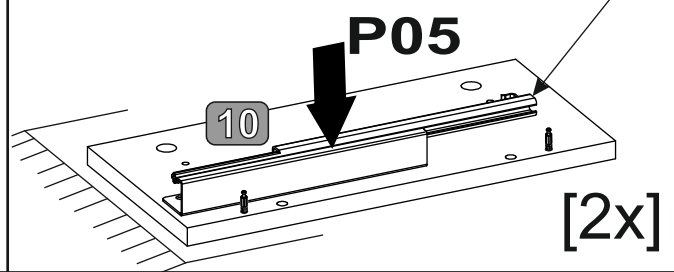
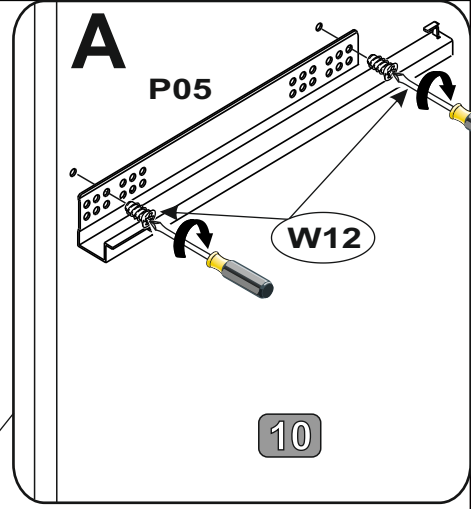
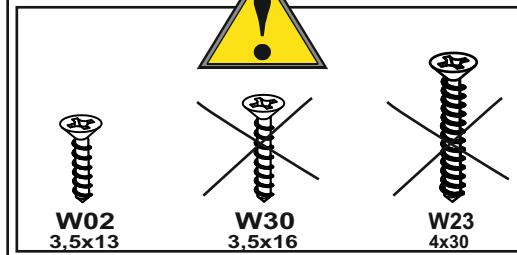
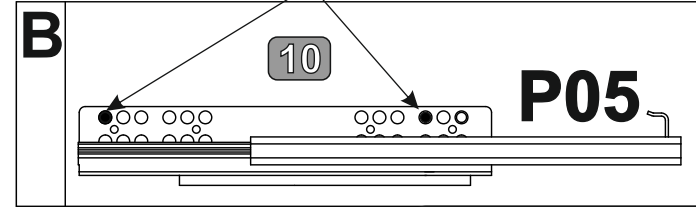
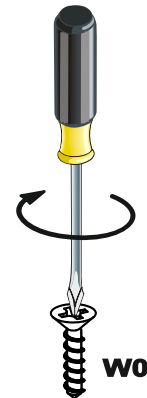
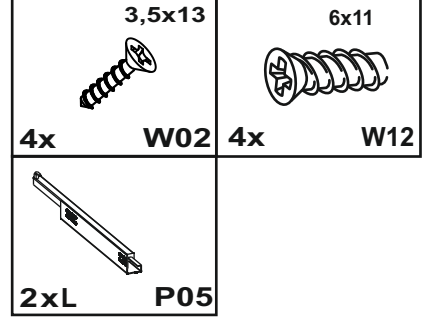
5



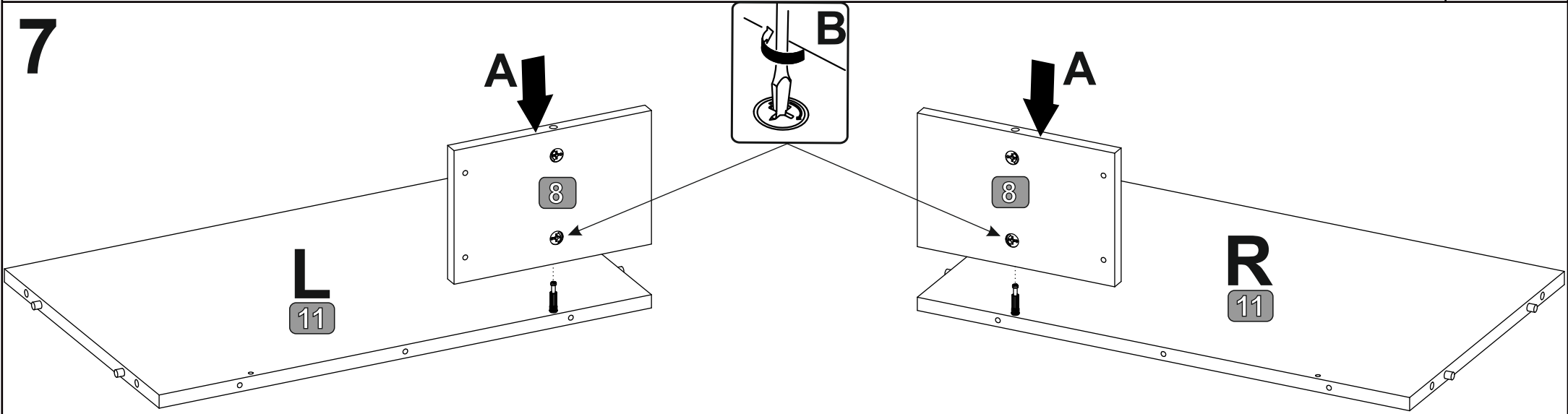
10



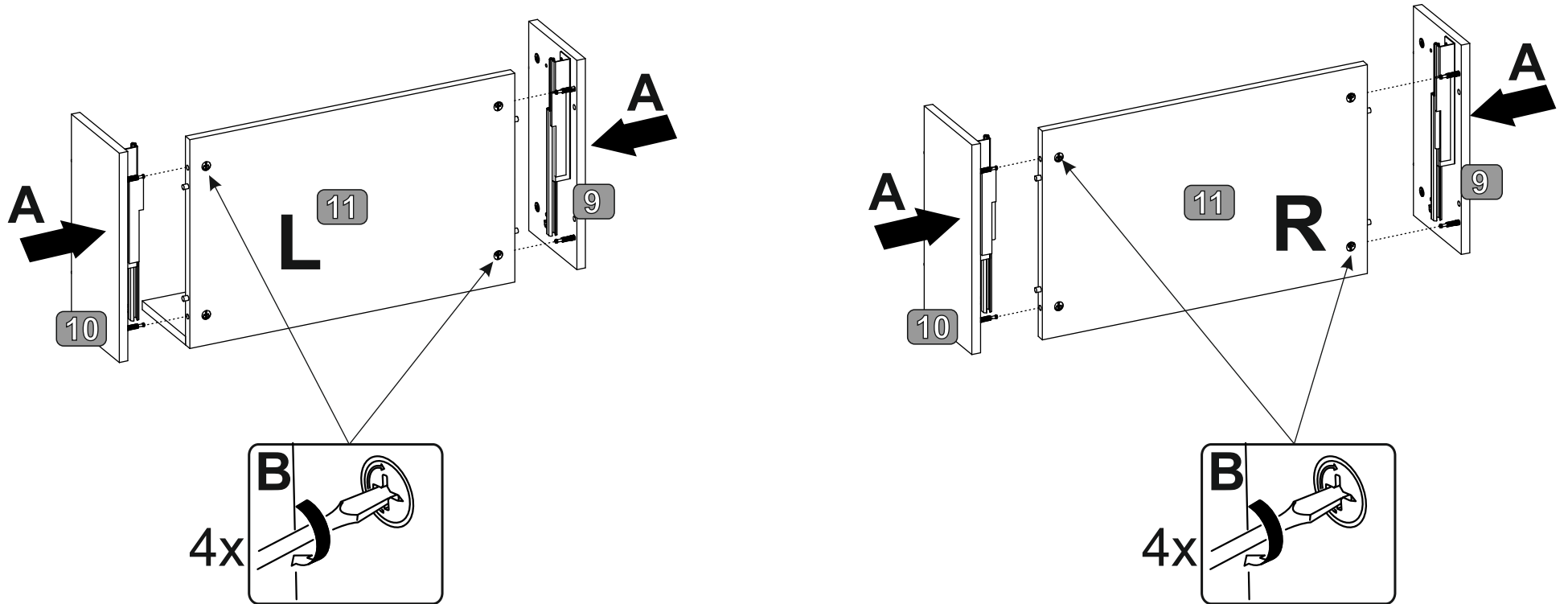
6



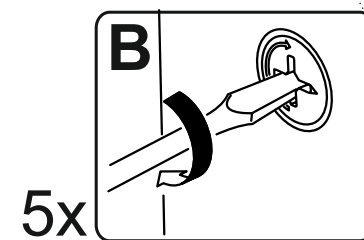
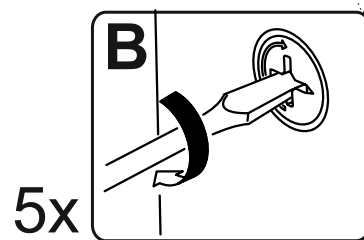
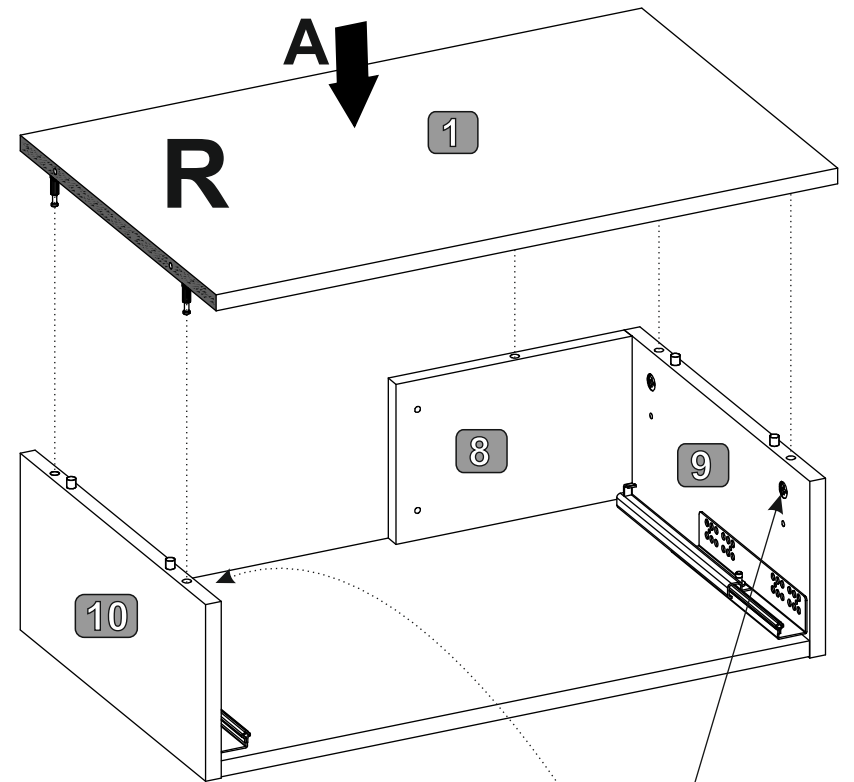
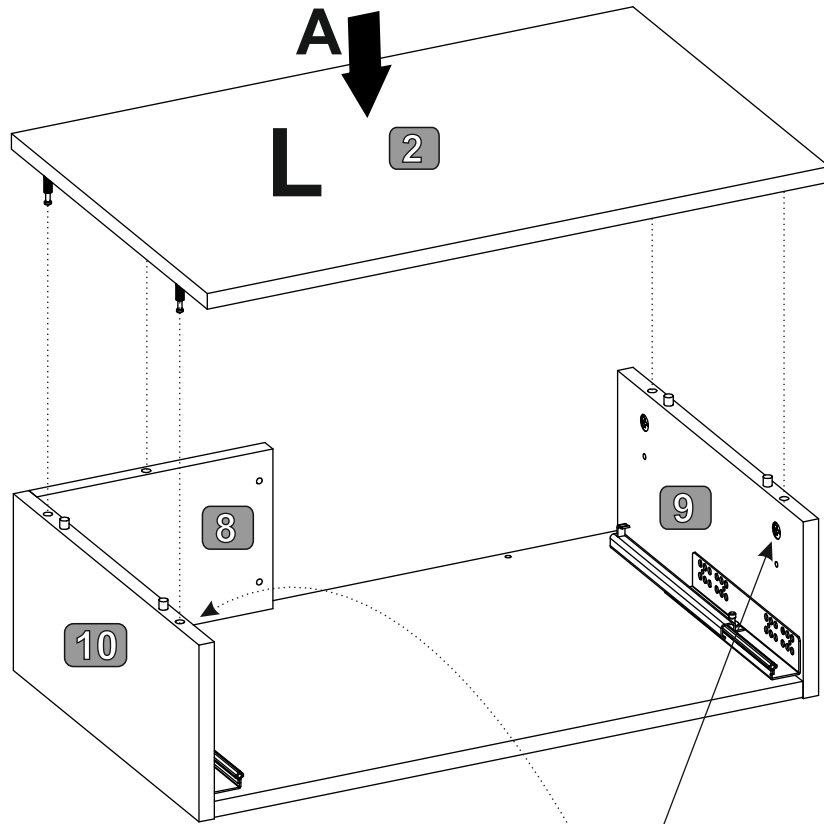
7





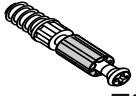
8




9



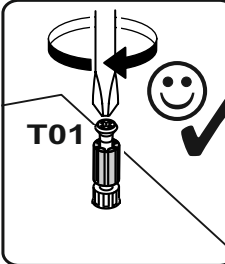
10

12x9,5  4x T12	8x28  16x D01	 4x T01
---	--	---

COLLI 1

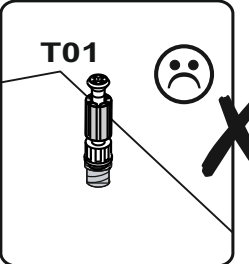


3 4 5 6 7



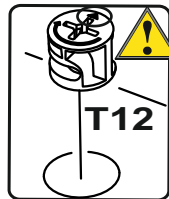
T01

☺ ✓



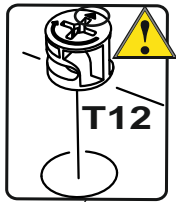
T01

☹ ✗



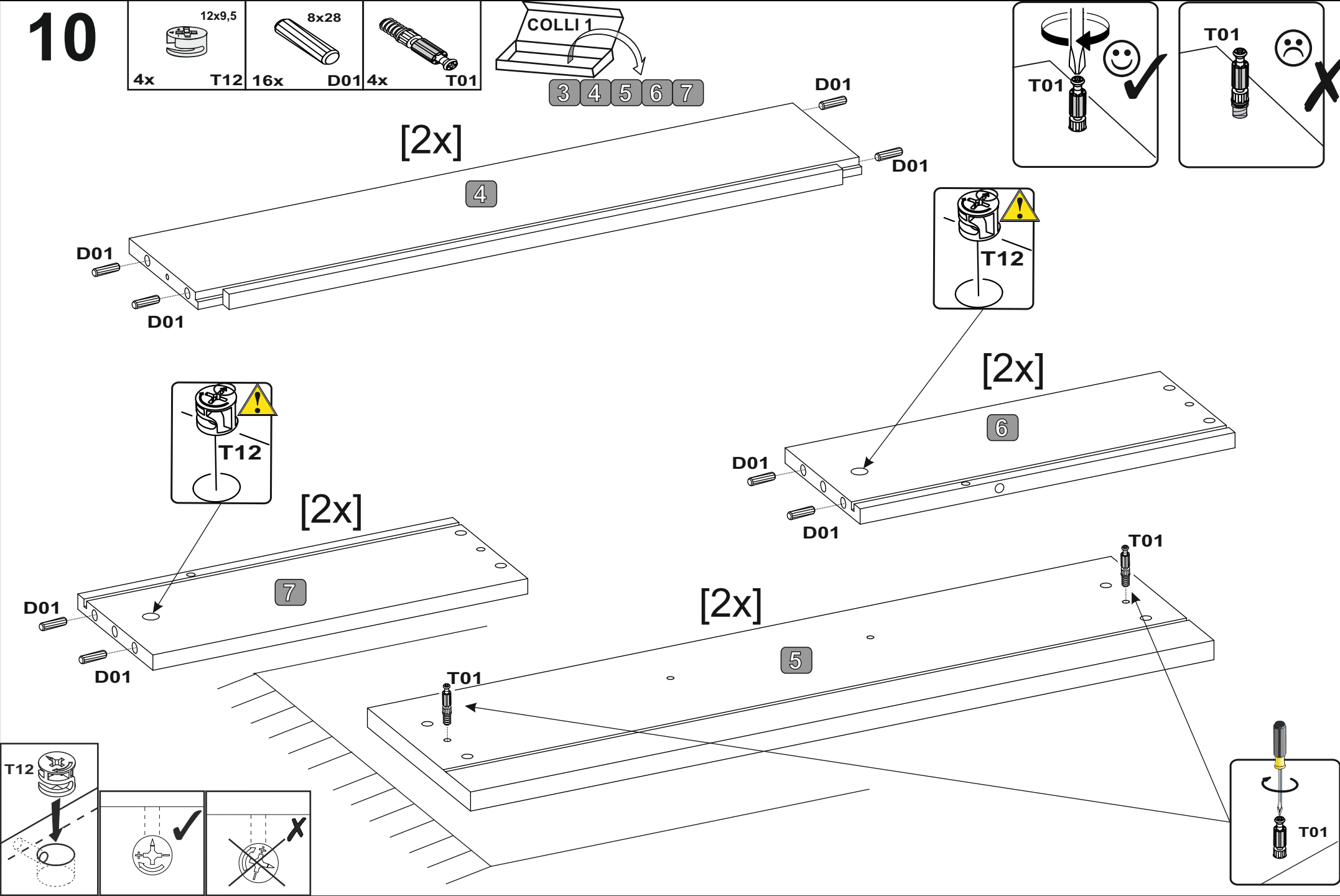
T12

⚠

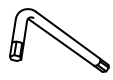





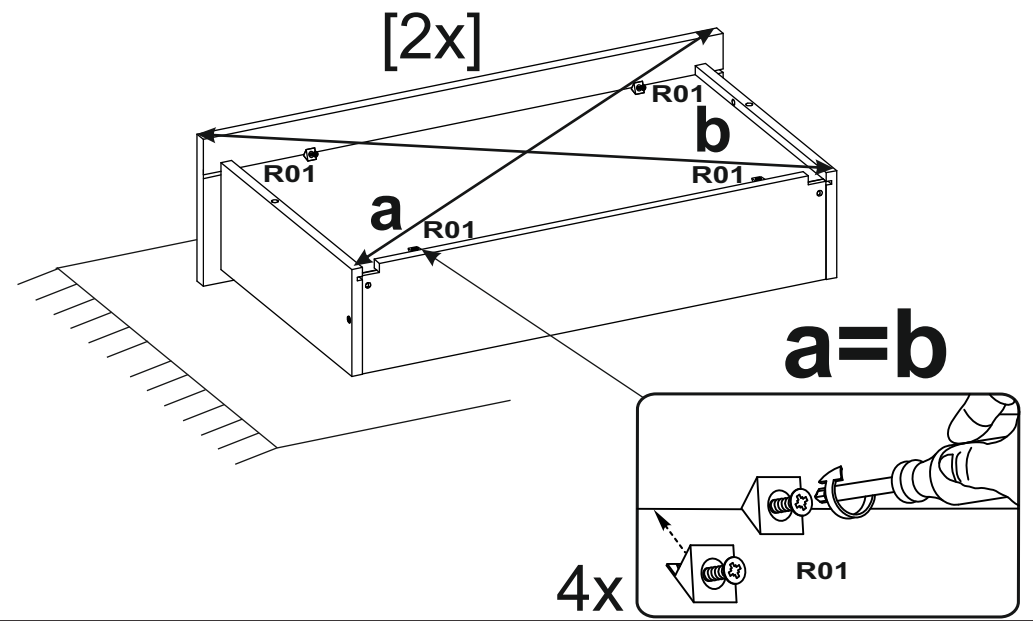
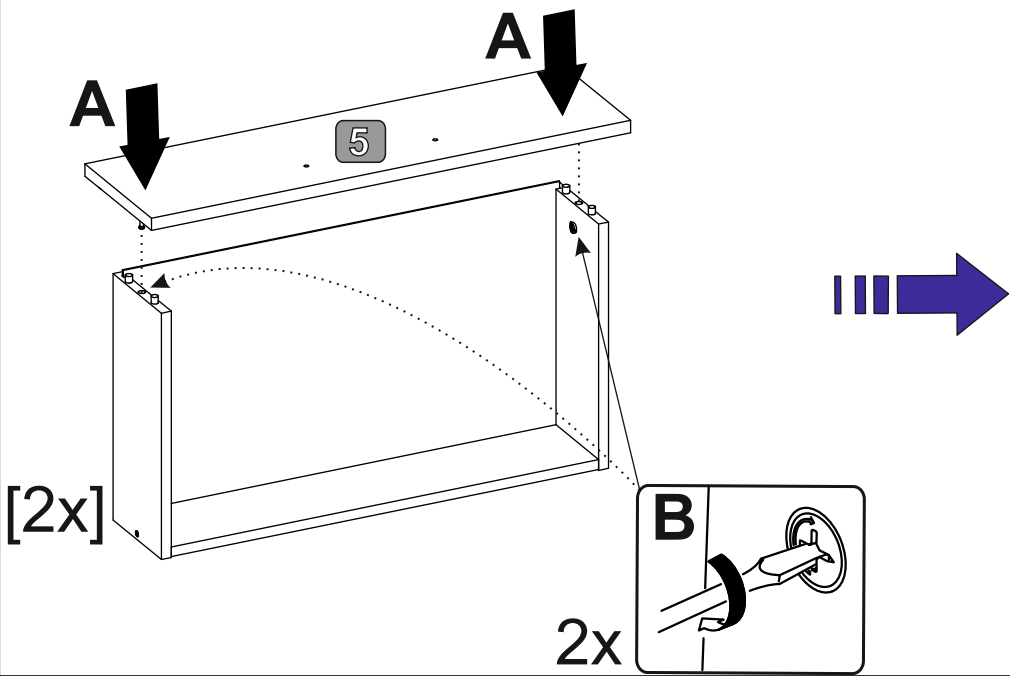
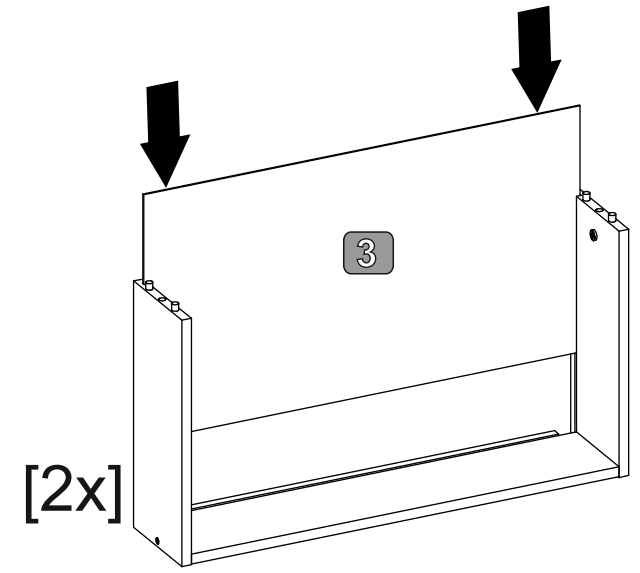
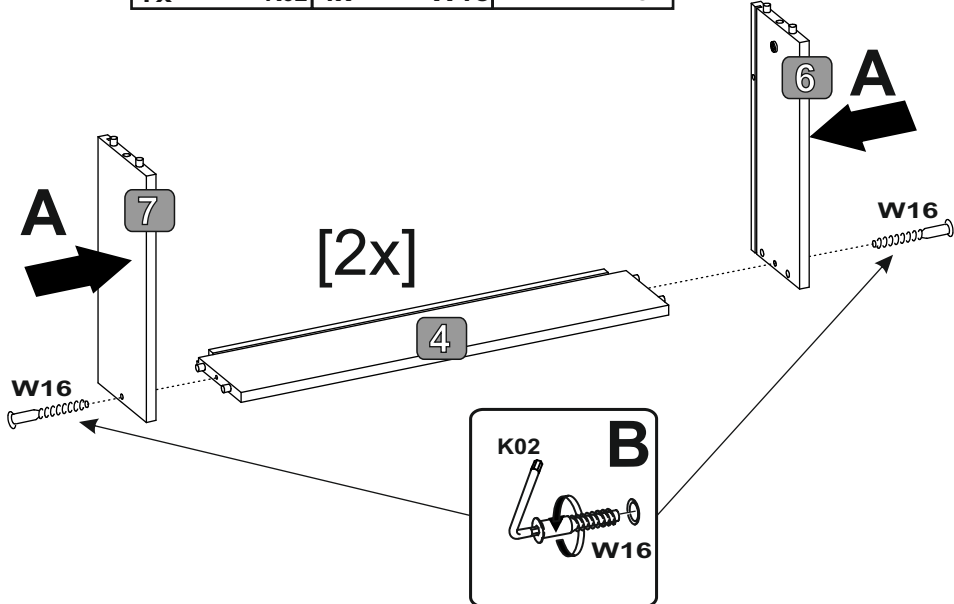
T12

⚠

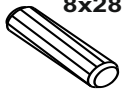
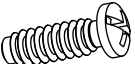



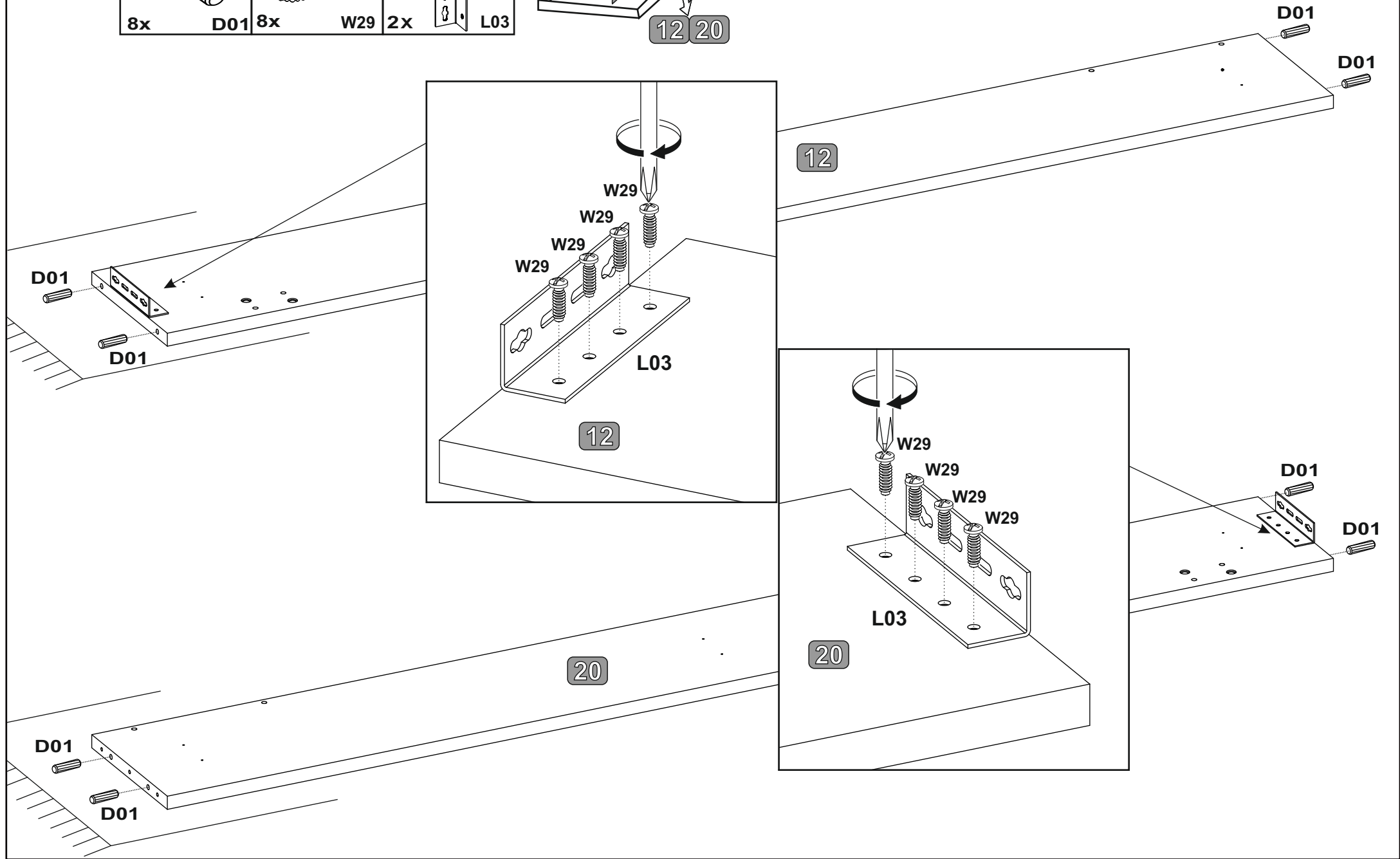
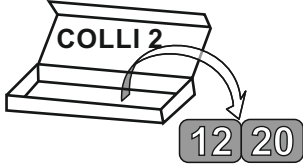
11

 L3 1x	 K02 4x	 5x40 W16 8x	 R01 8x
---	--	---	--



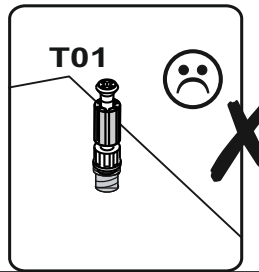
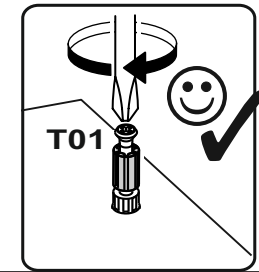
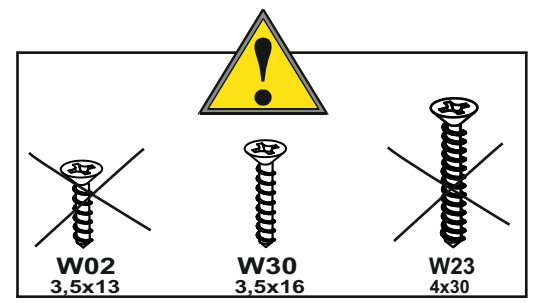
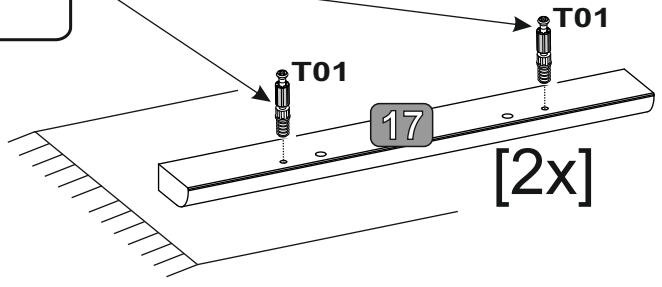
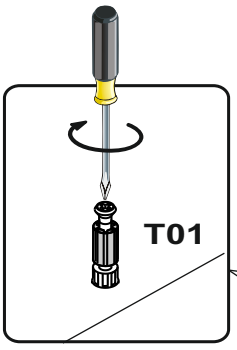
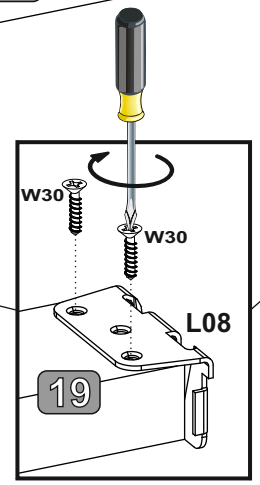
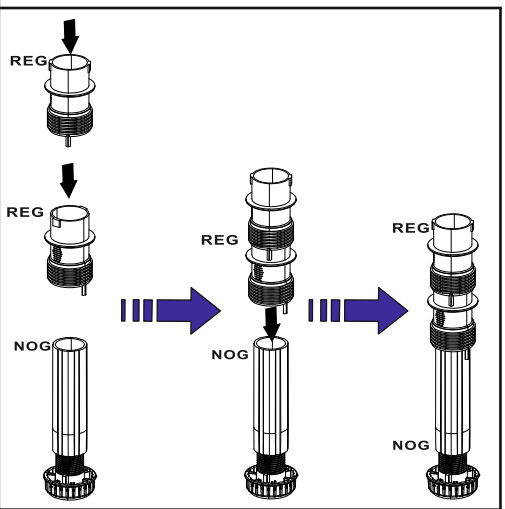
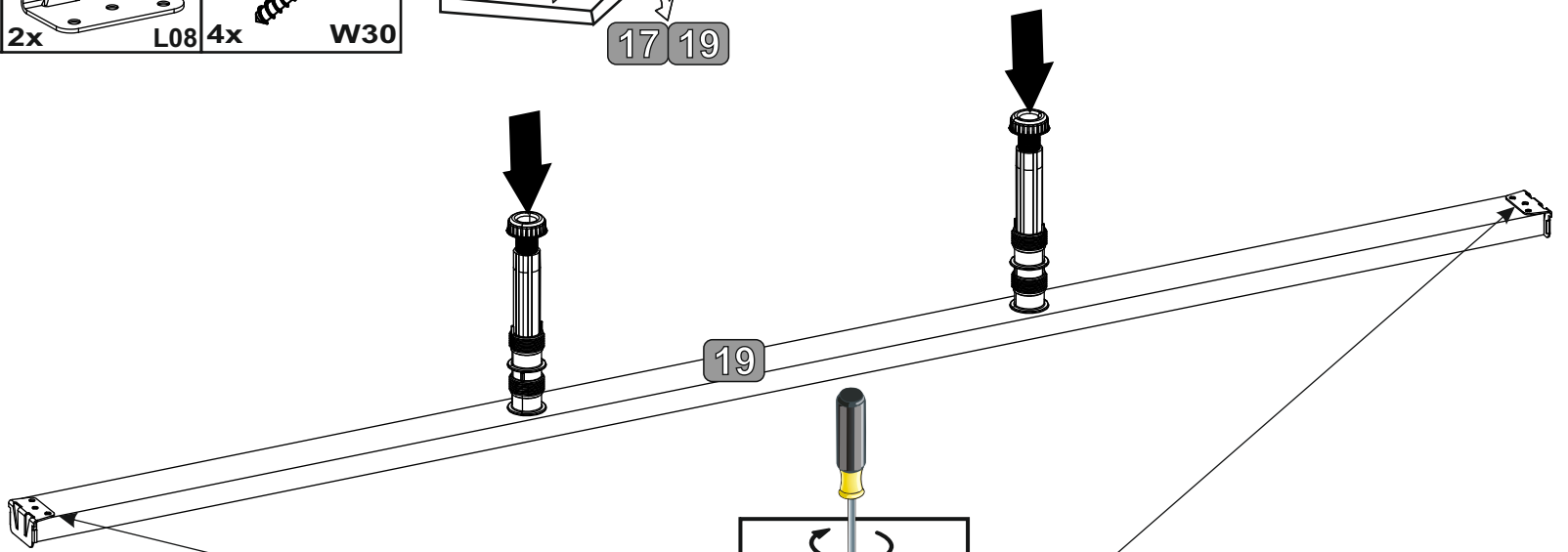
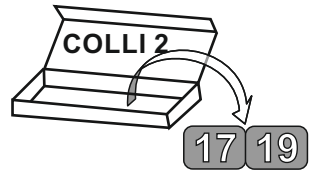
12

8x28	6,3x20	
		
8x D01	8x W29	2x L03



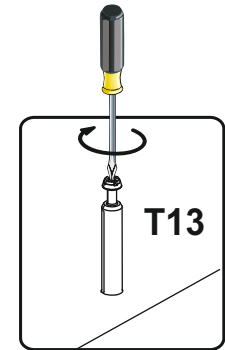
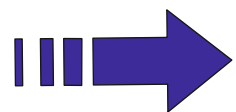
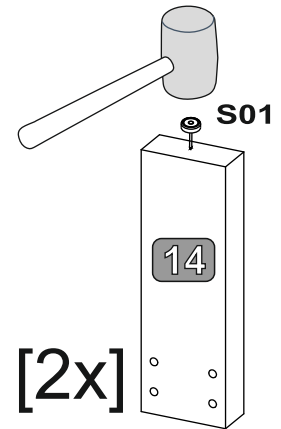
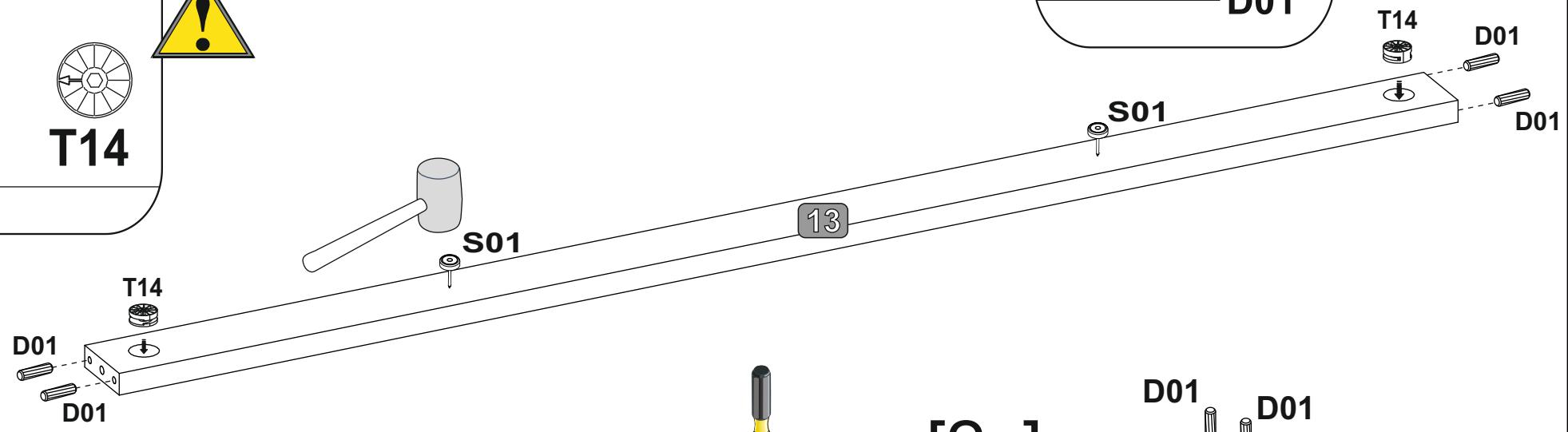
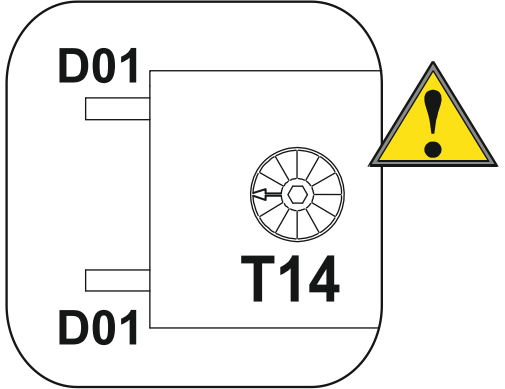
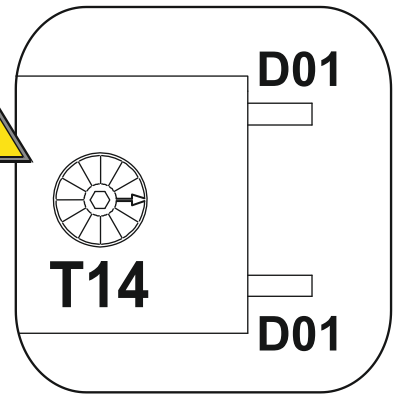
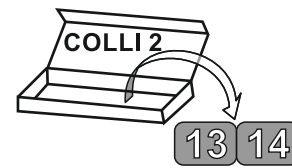
13

- 2x NOG
- 4x REG
- 2x L08
- 4x W30
- 3,5x16
- 4x T01

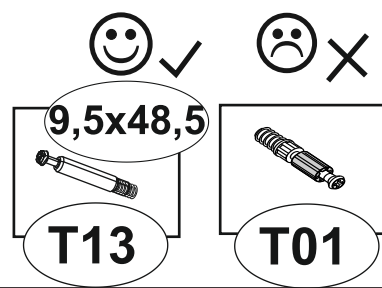
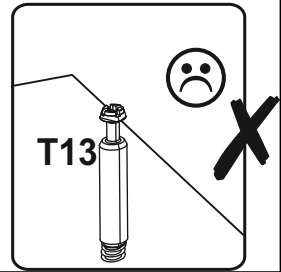
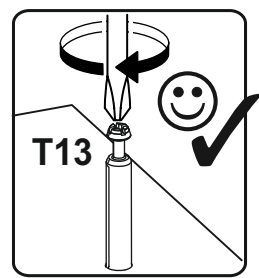
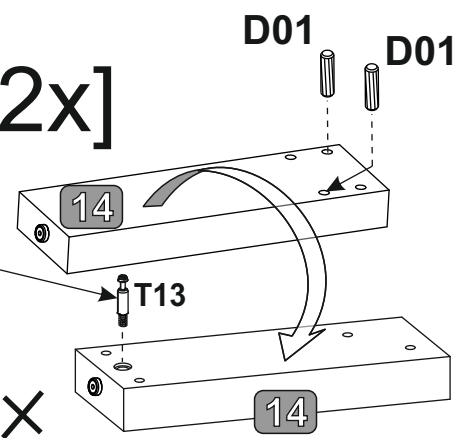


14

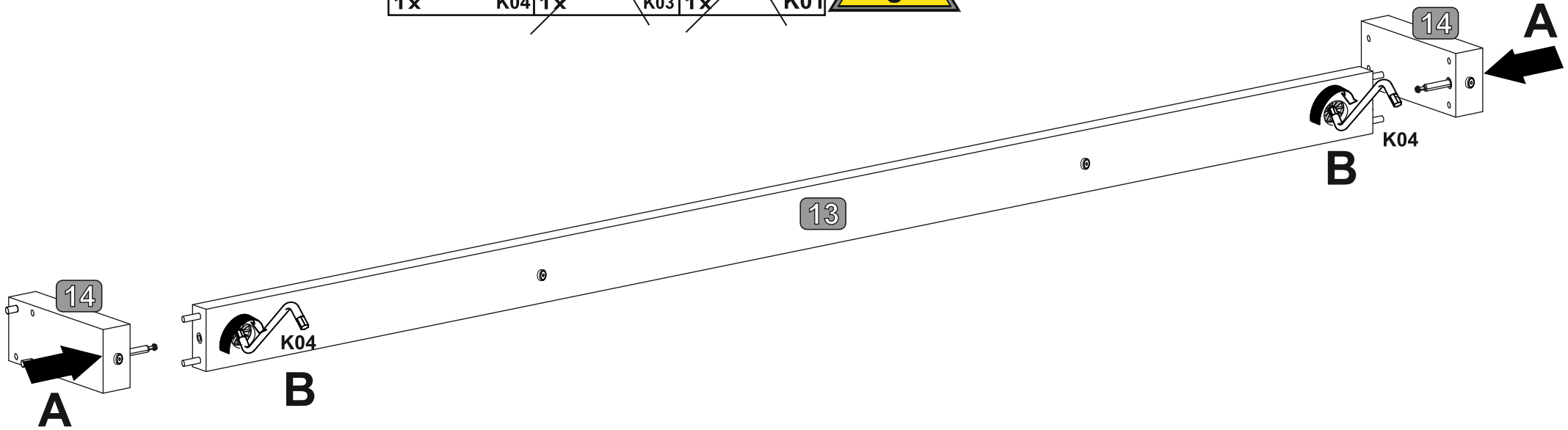
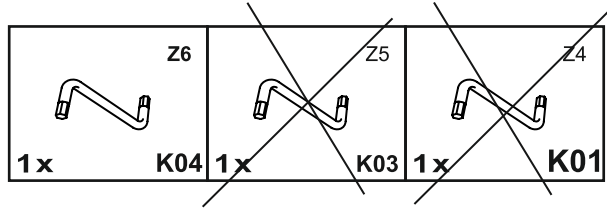
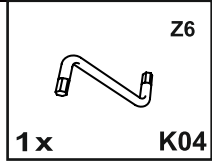
- 4x S01
- 2x T14 (35x15,2)
- 2x T13 (9,5x48,5)
- 8x D01 (8x28)



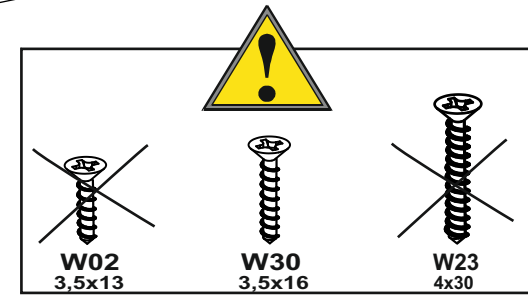
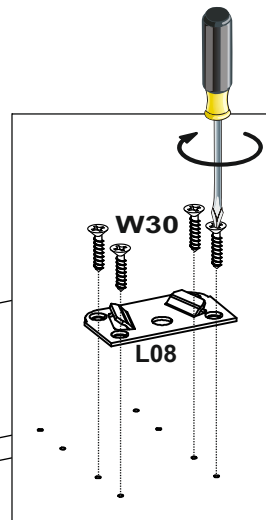
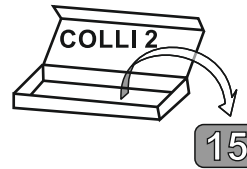
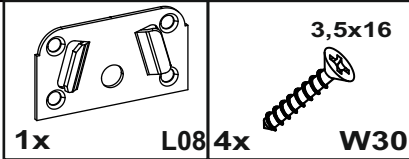
[2x]



15

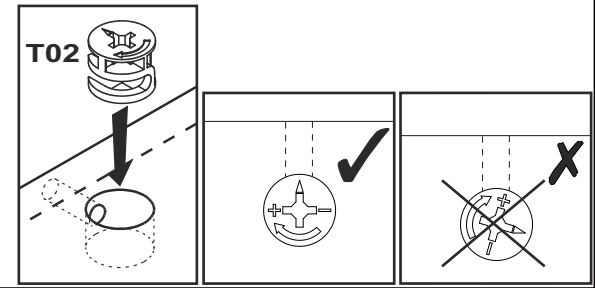
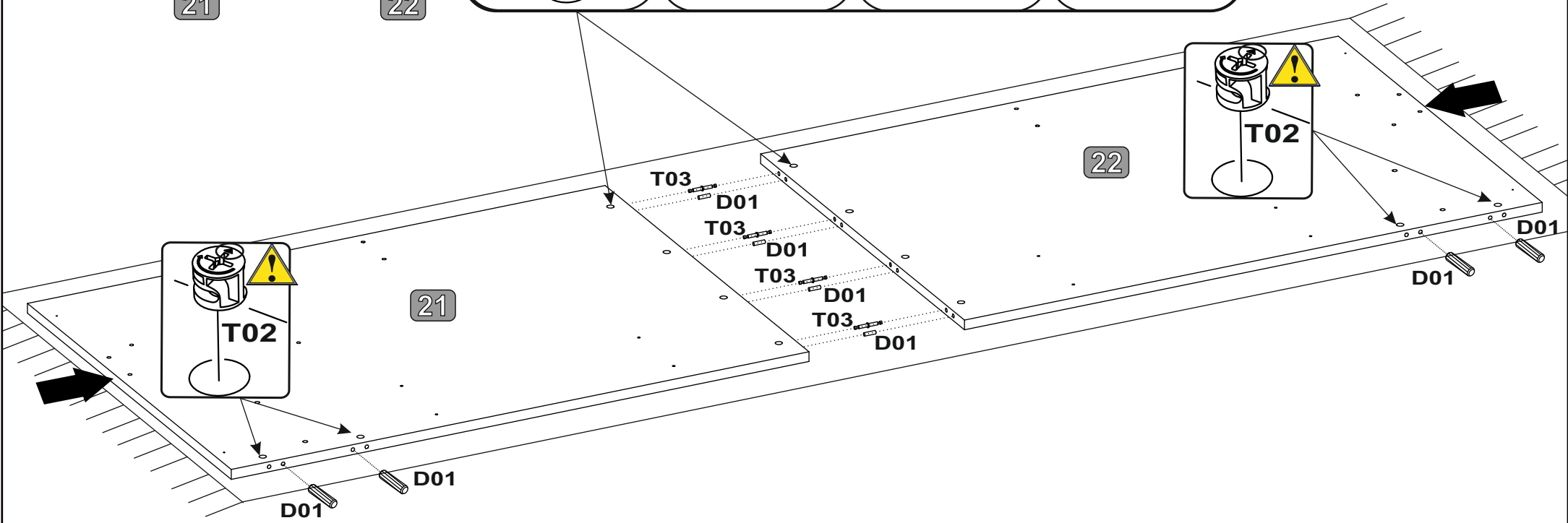
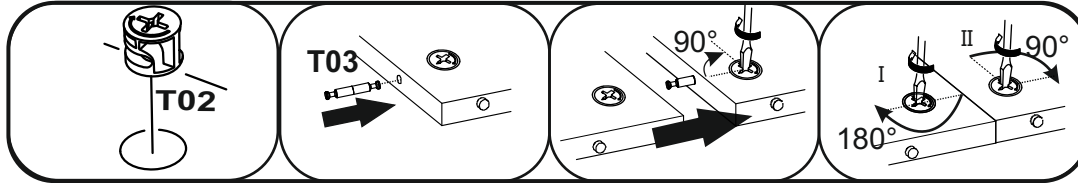
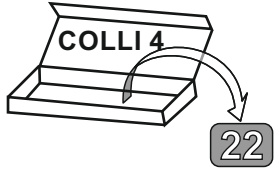
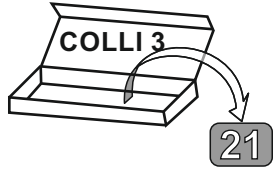


16

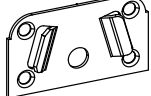

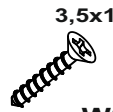


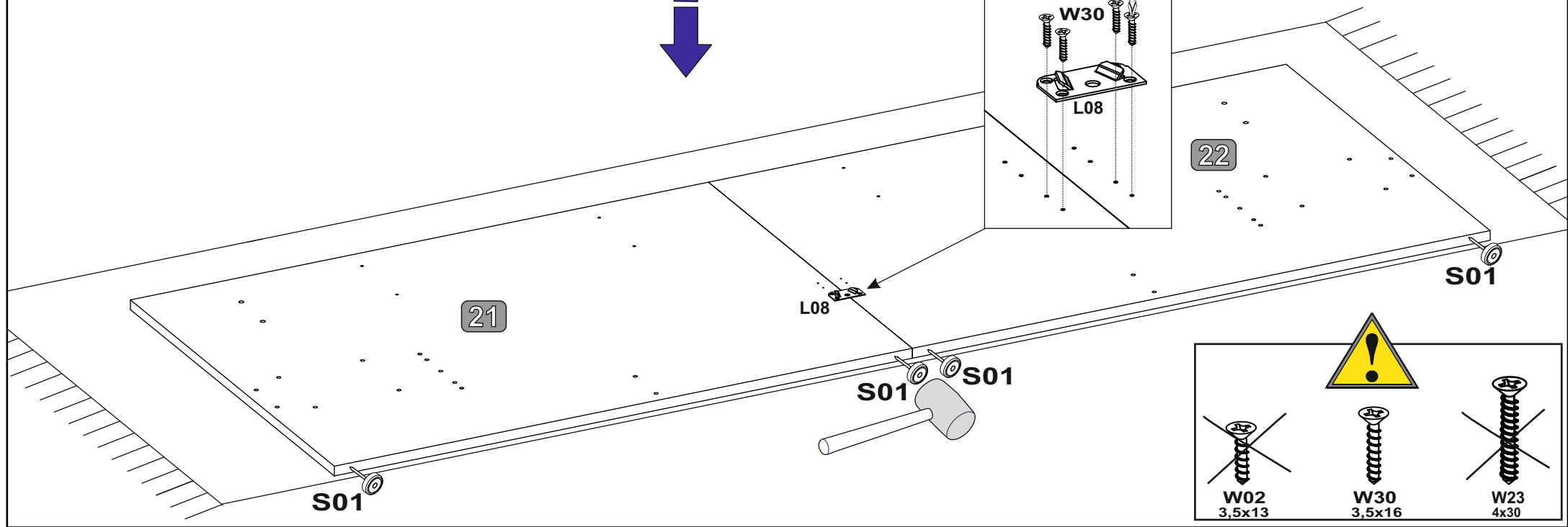
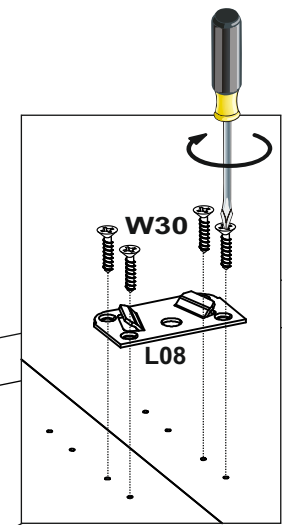
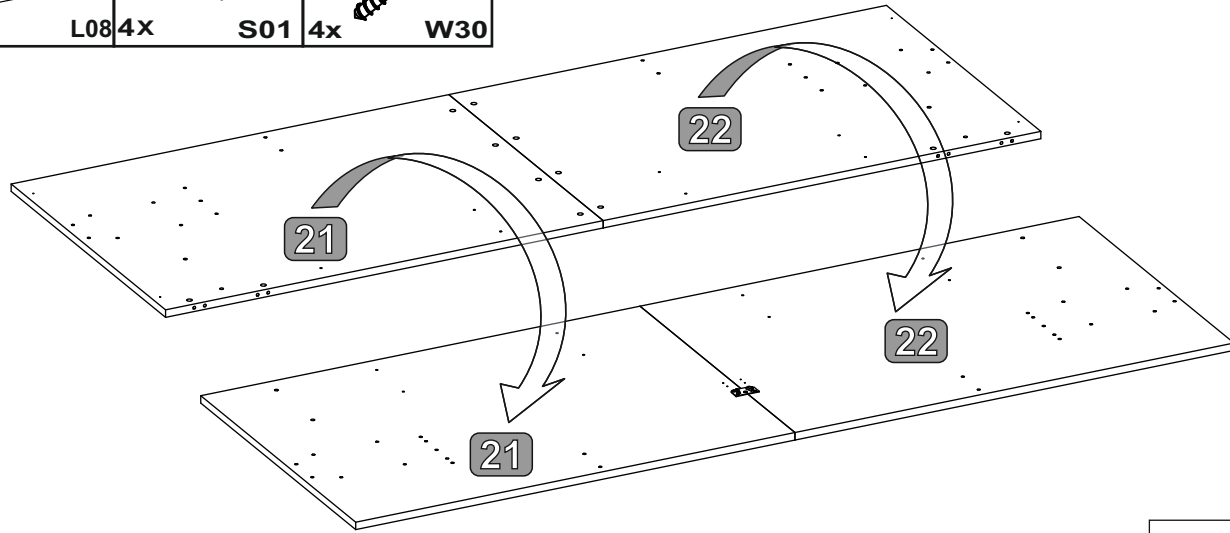
17




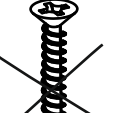
15x12		8x28
12x T02	4x T03	8x D01



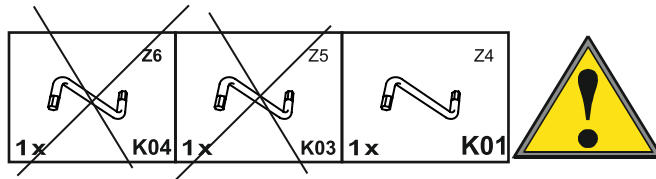
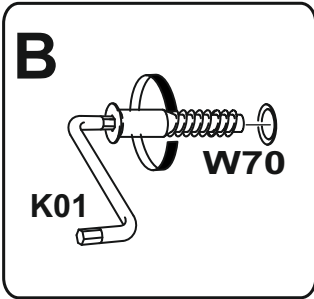
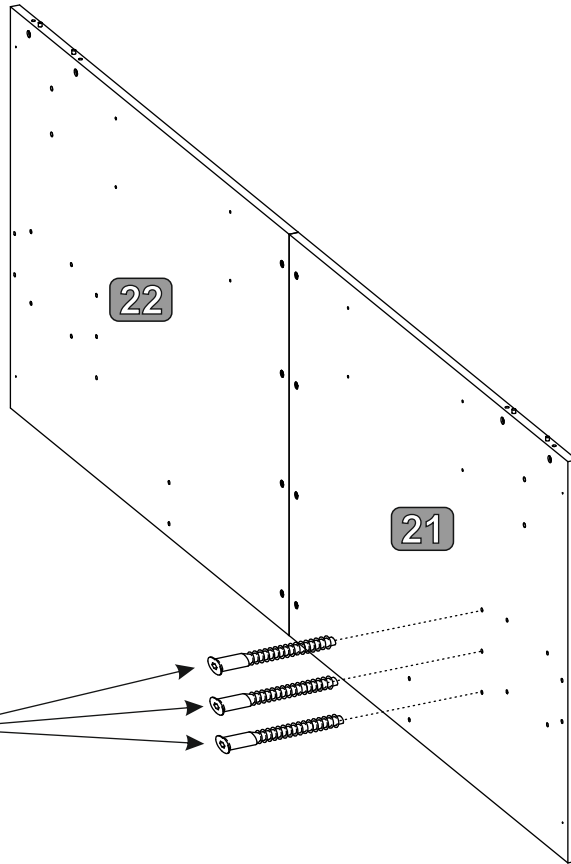
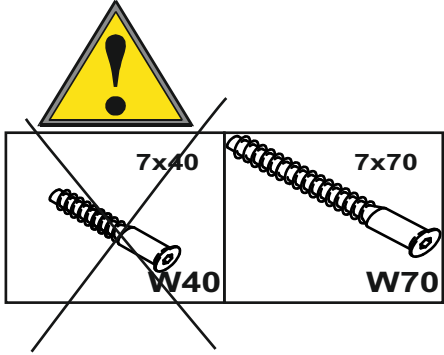
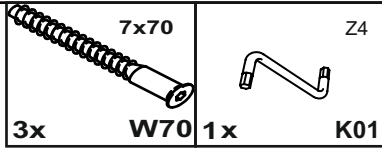
18

 1x L08	 4x S01	 4x W30
---	---	---





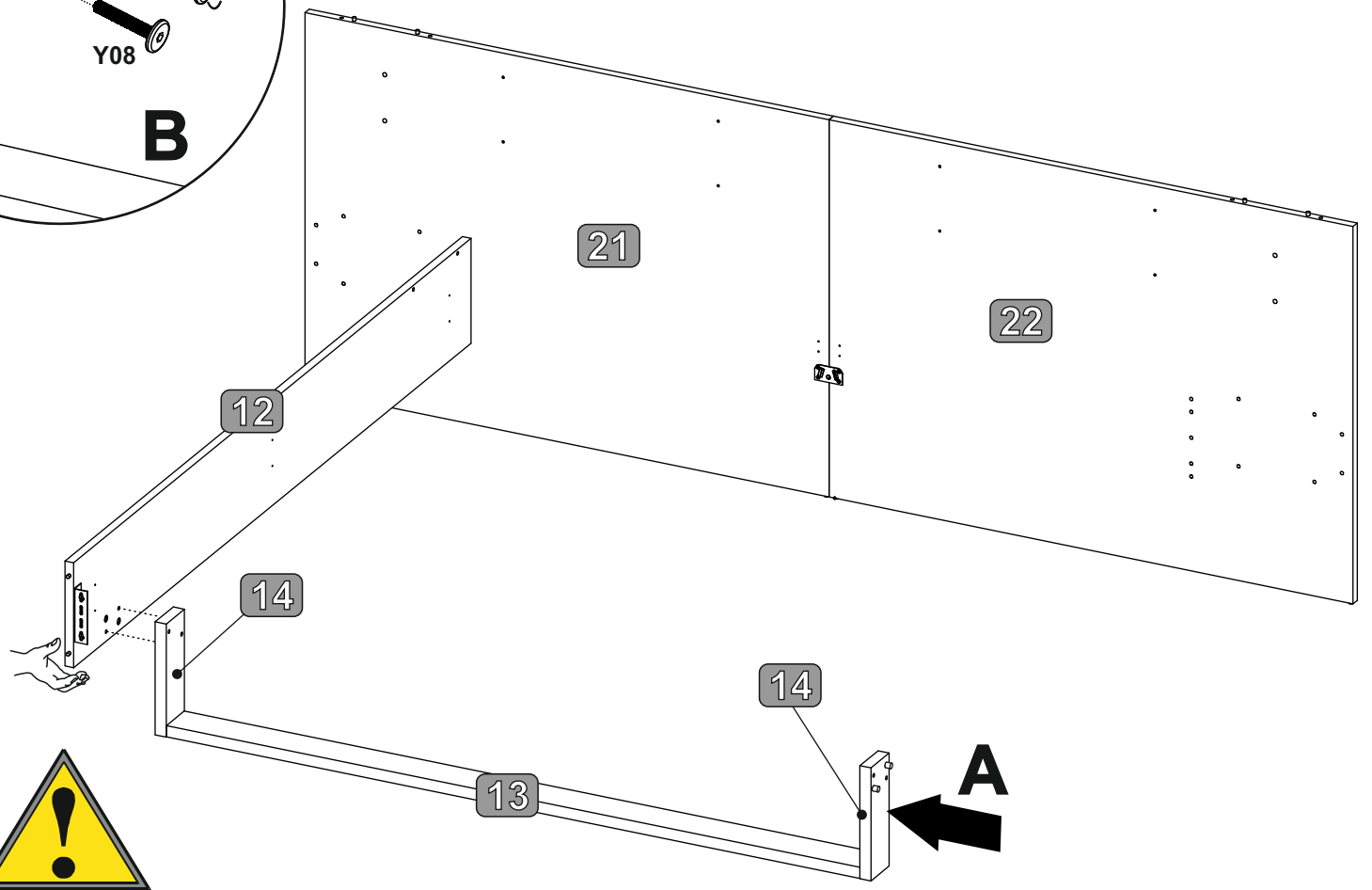
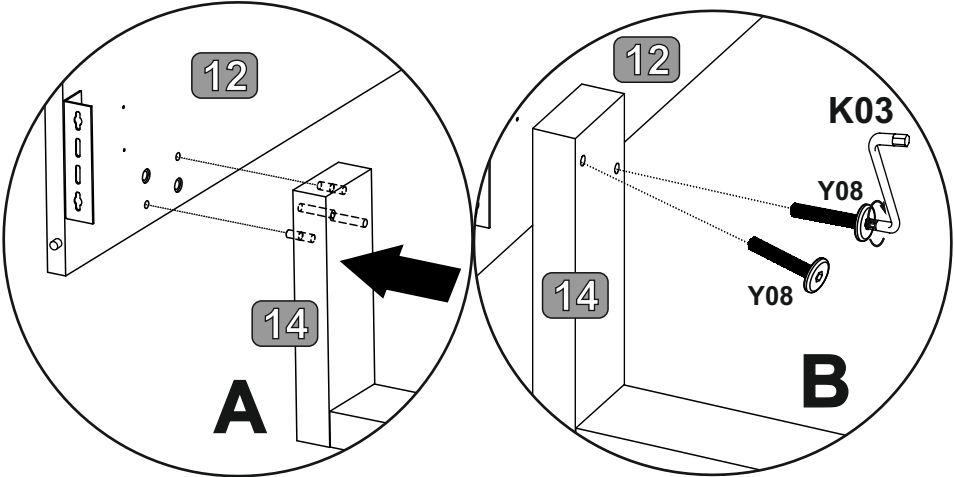
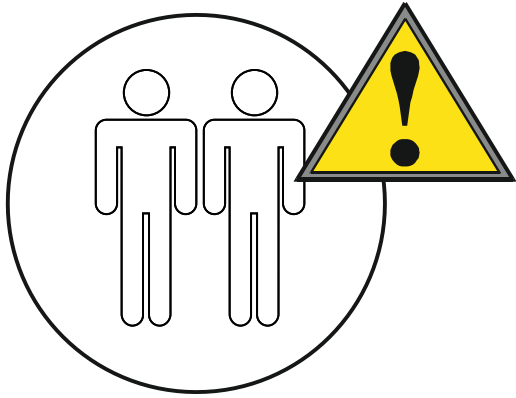
			
	W02 3,5x13	W30 3,5x16	W23 4x30

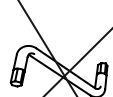
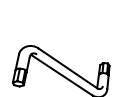

19



20


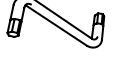
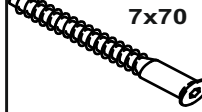
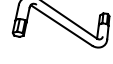
M8x45	Z5
	
2x	1x
Y08	K03







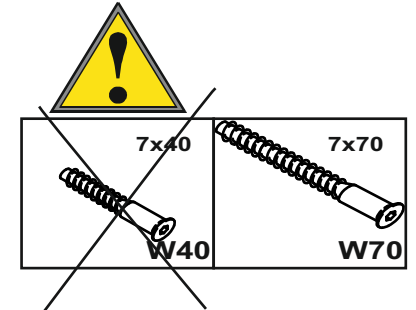
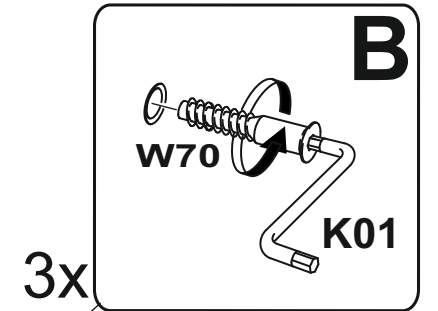
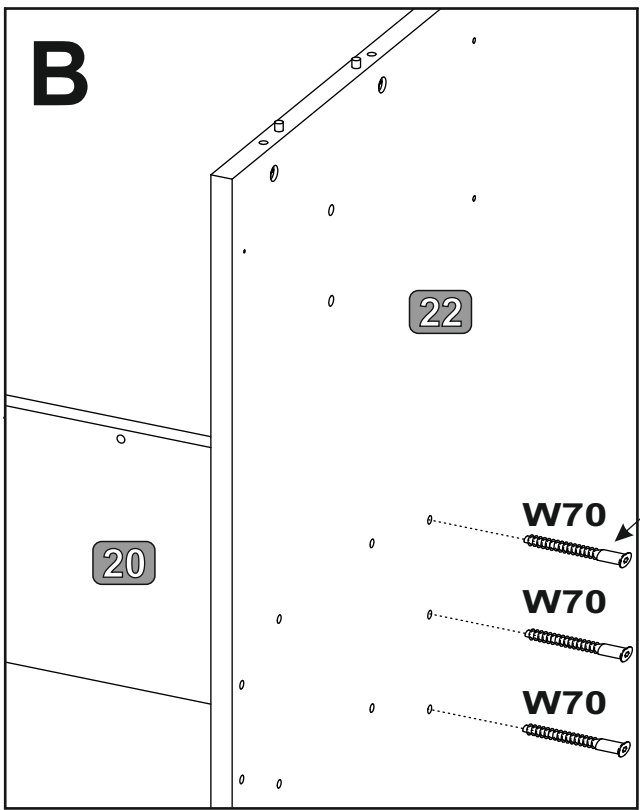
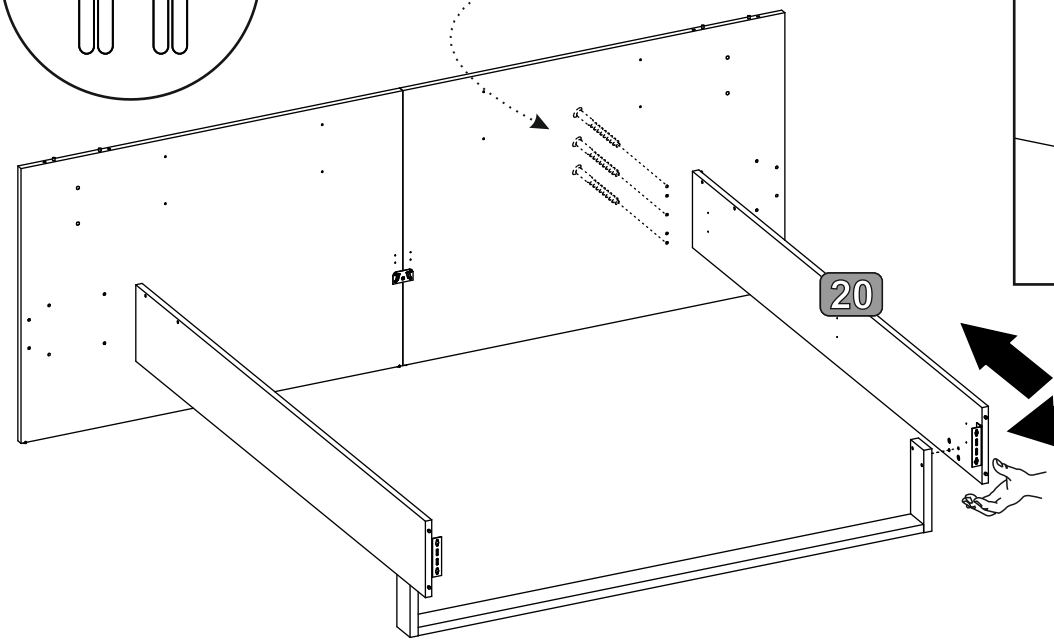
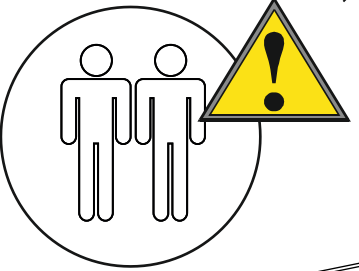
Z6	Z5	Z4
		
1x	1x	1x
K04	K03	K01


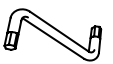




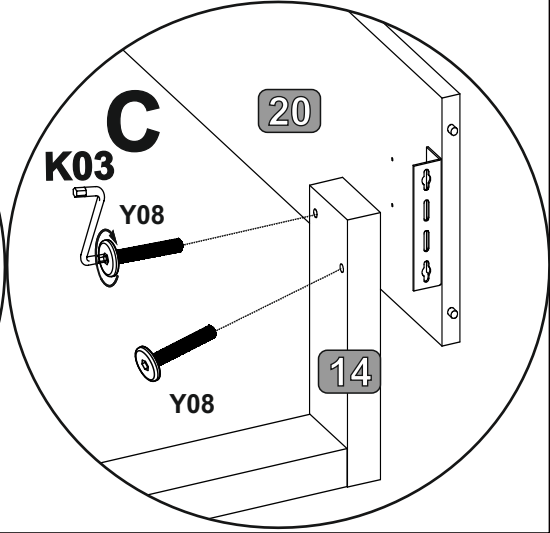
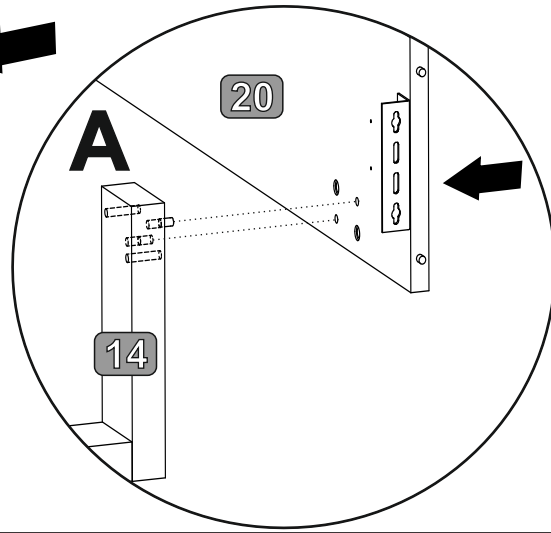
21

M8x45 	Z5 	7x70 	Z4 
2x Y08	1x K03	3x W70	1x K01

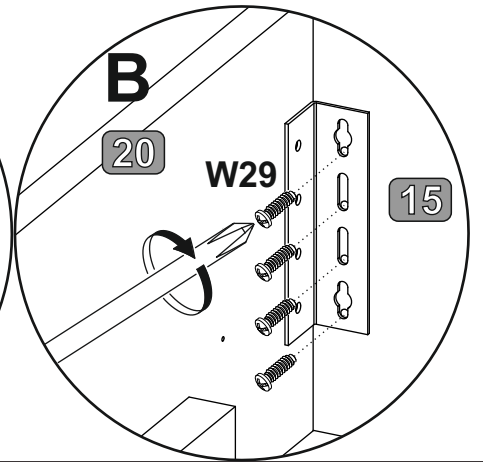
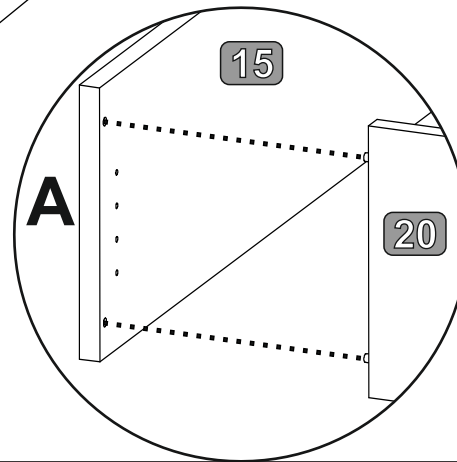
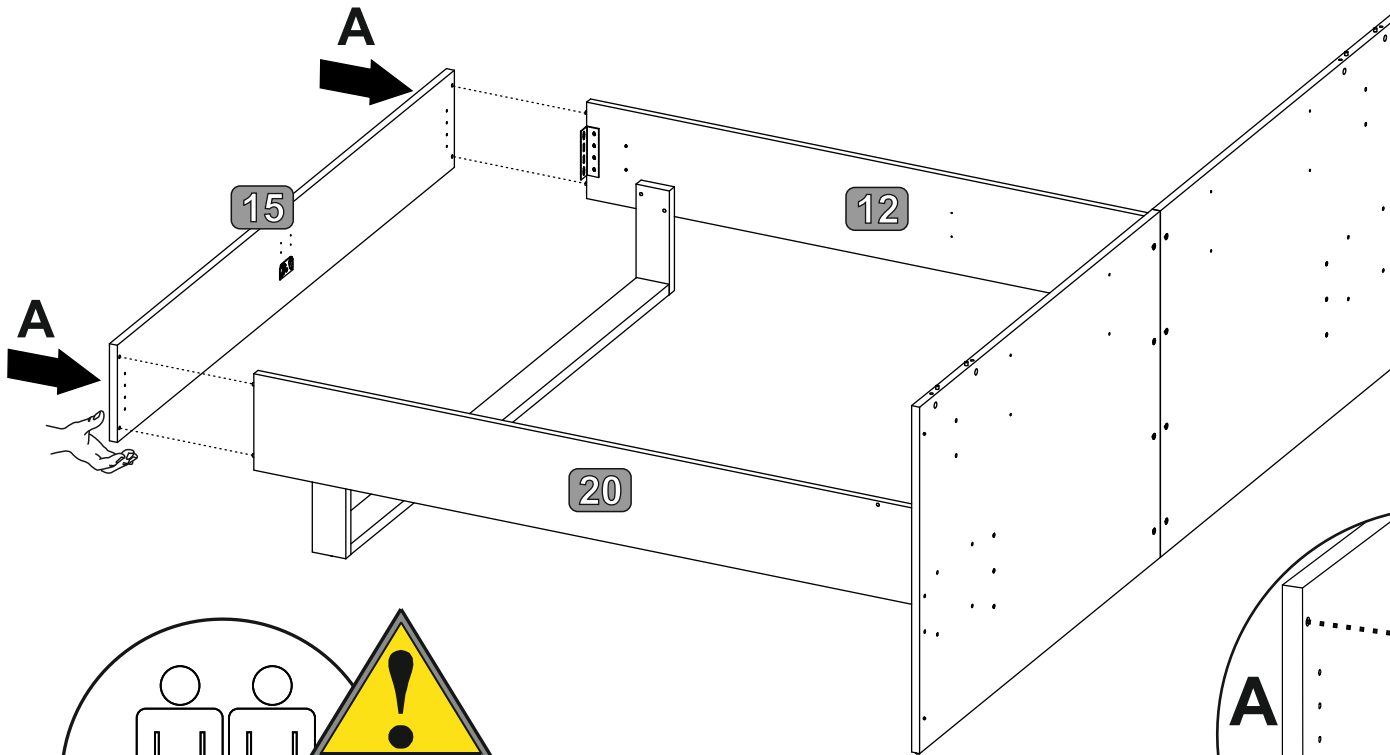
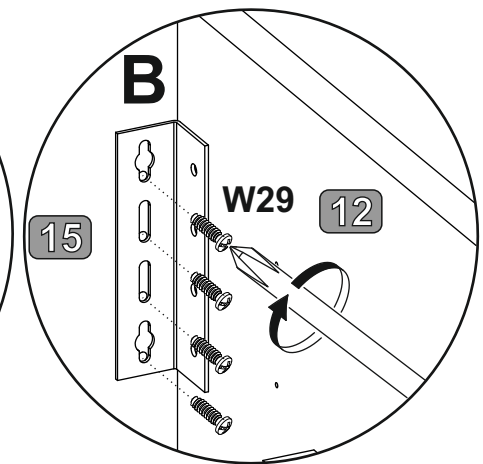
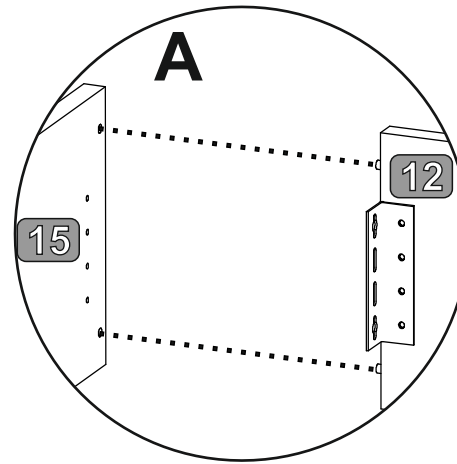
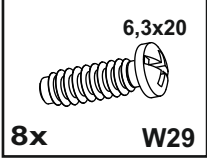
Z6 	Z5 	Z4 	
1x K04	1x K03	1x K01	



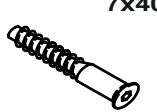
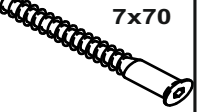

Z6 	Z5 	Z4 	
1x K04	1x K03	1x K01	

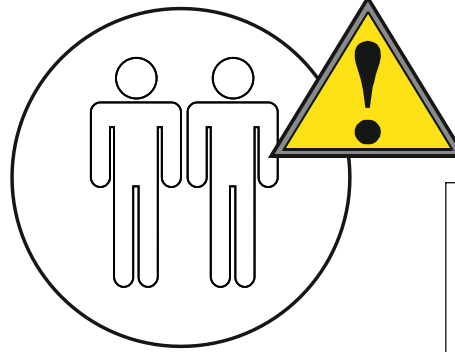






22

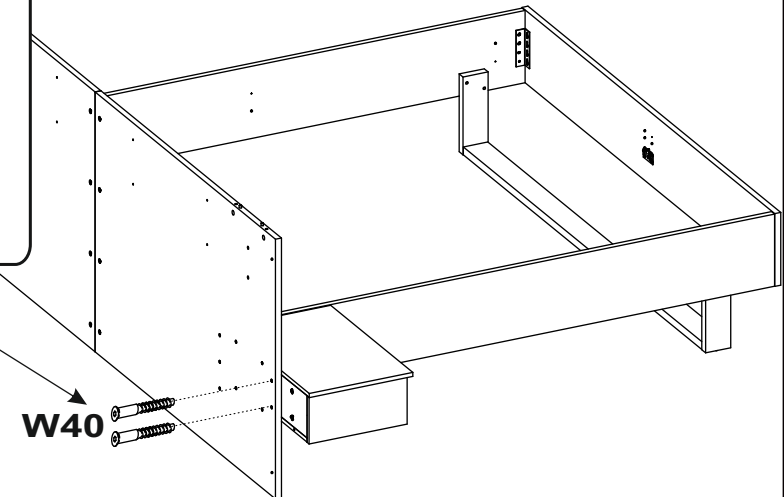
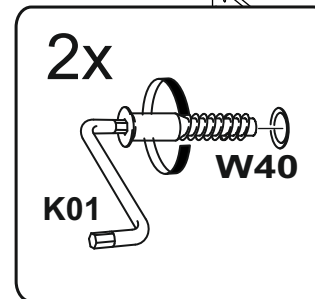
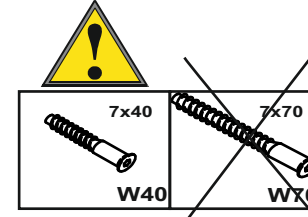
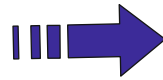
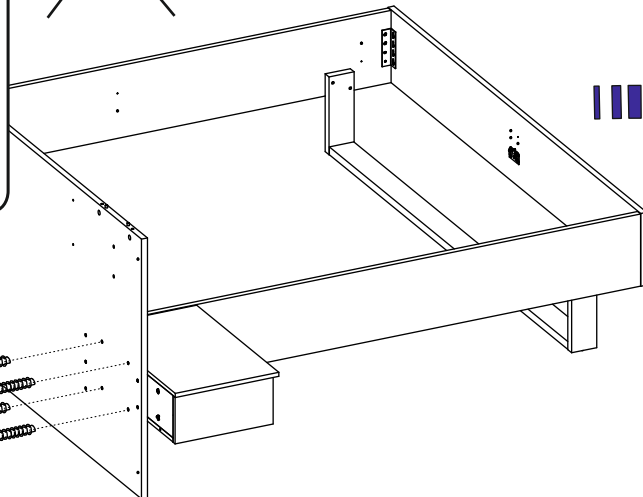
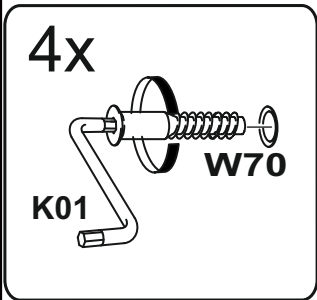
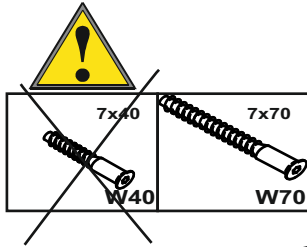
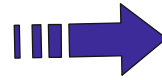
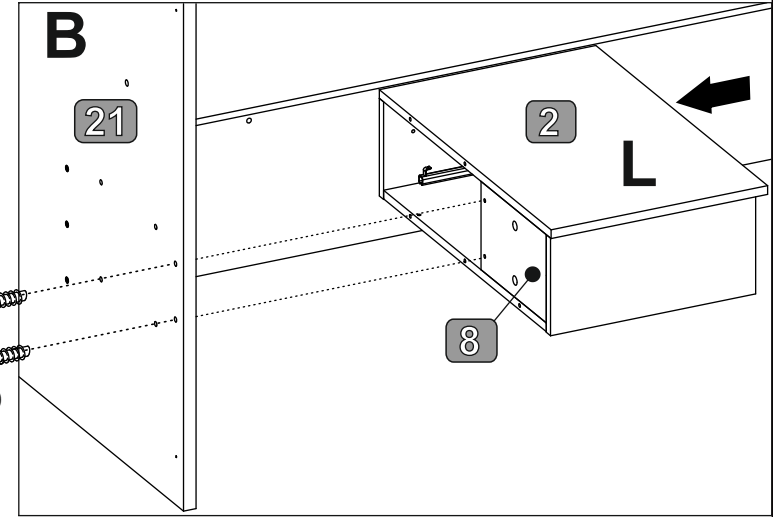
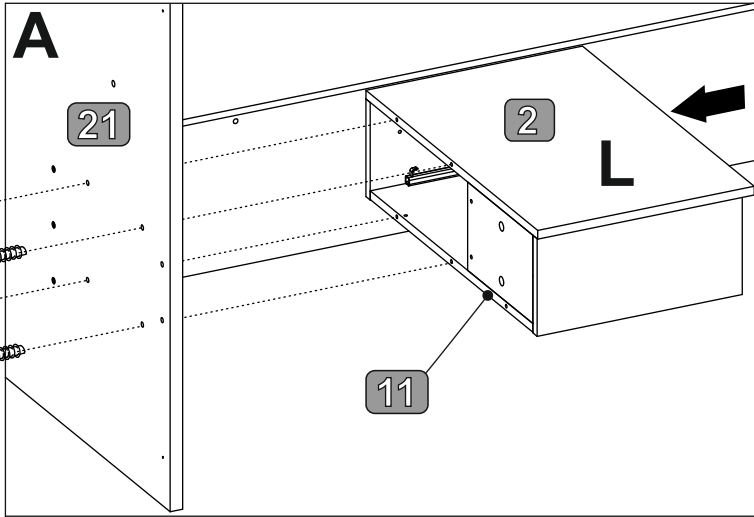


23

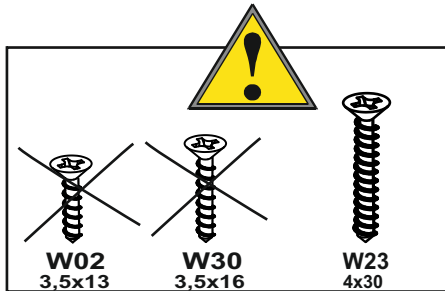
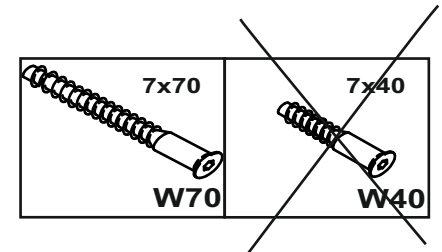
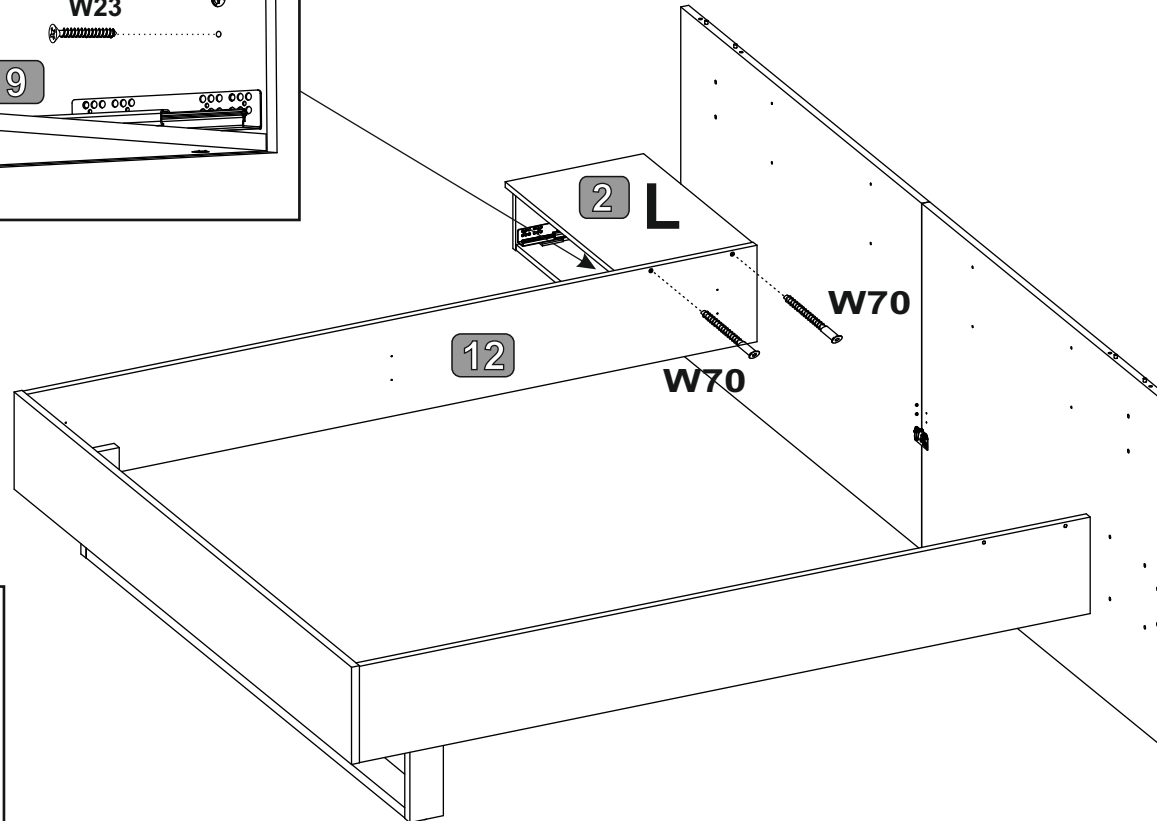
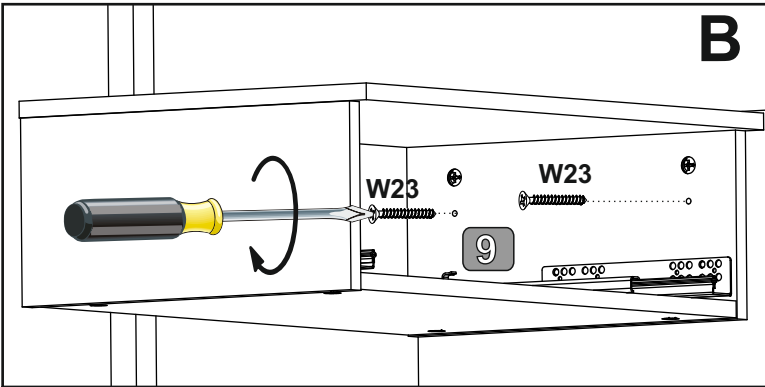
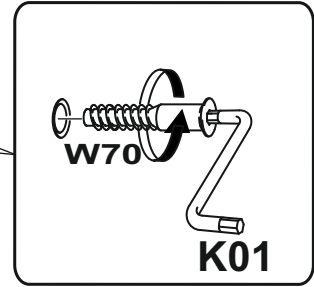
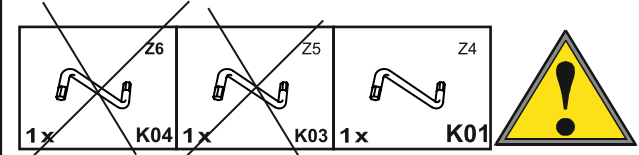
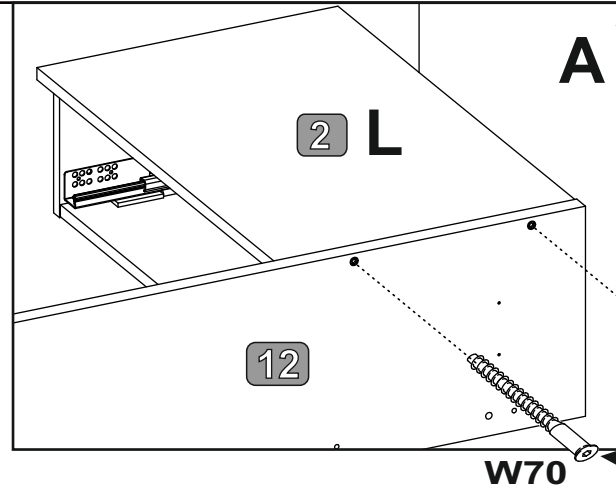
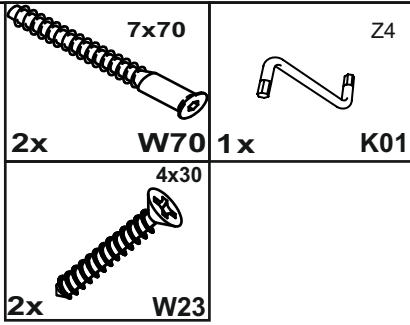
		
2x	4x	1x
W40	W70	K01



			
1x	1x	1x	
K04	K03	K01	

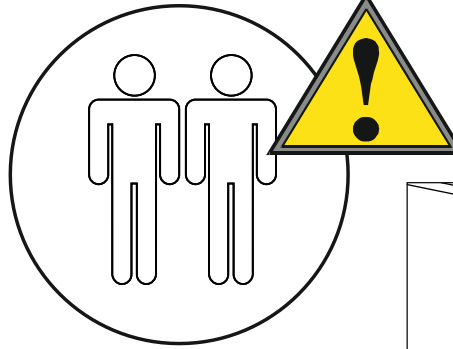


24

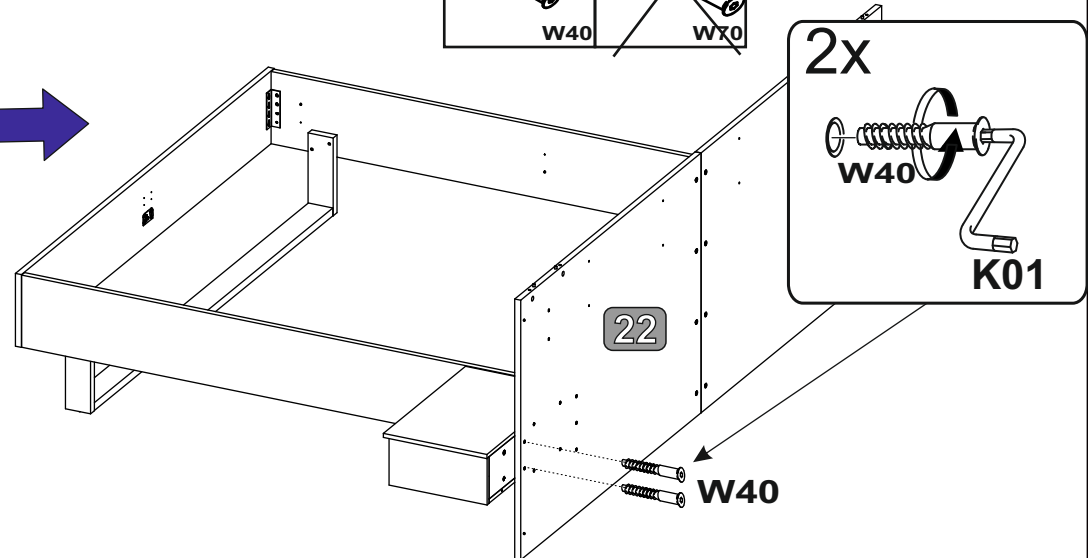
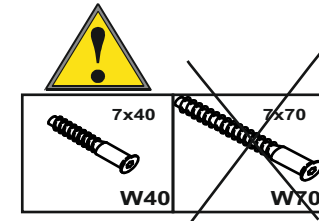
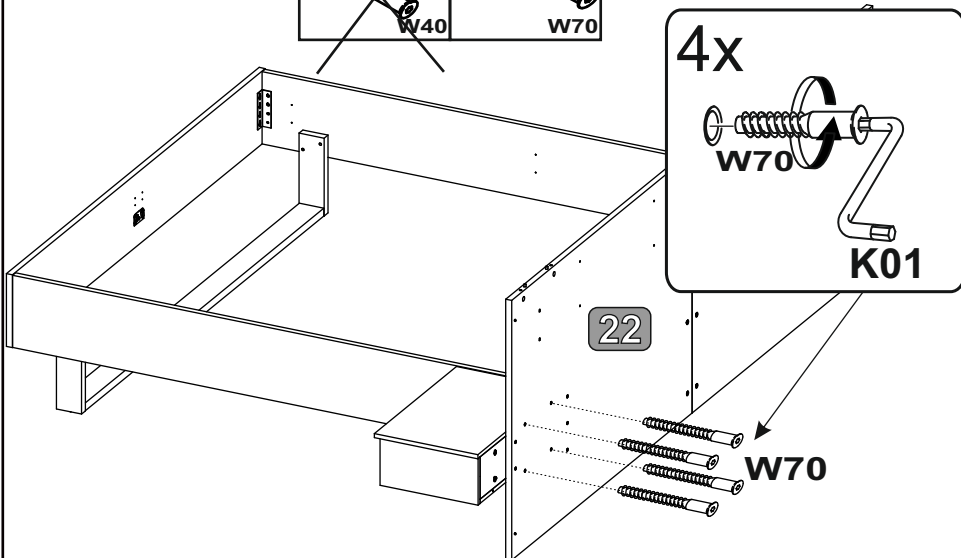
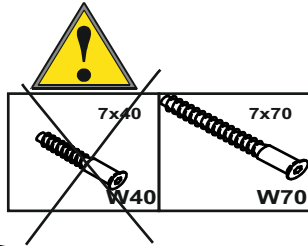
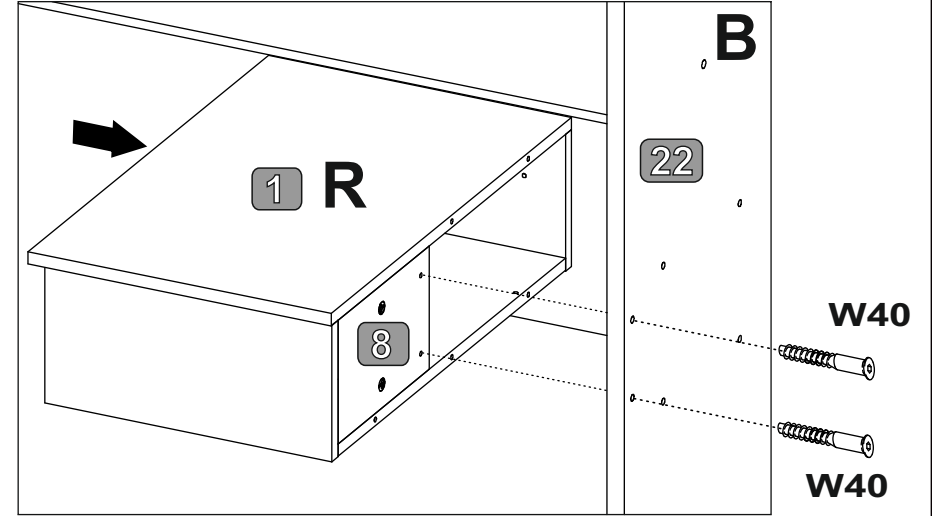
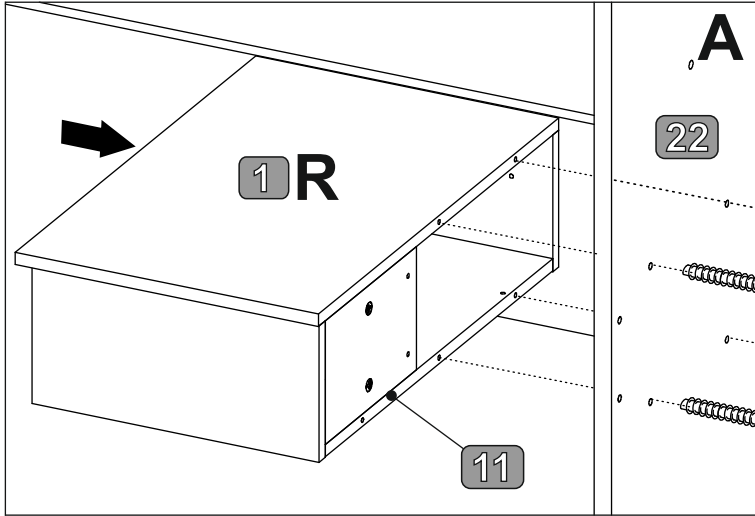


25

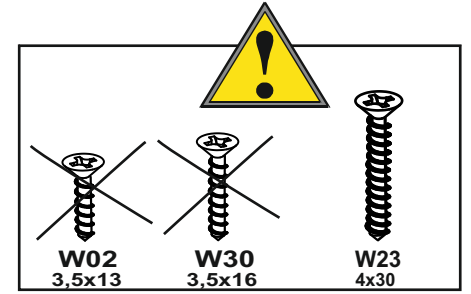
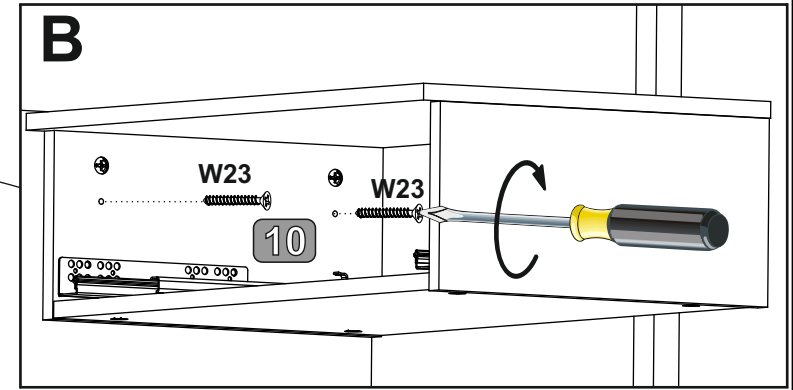
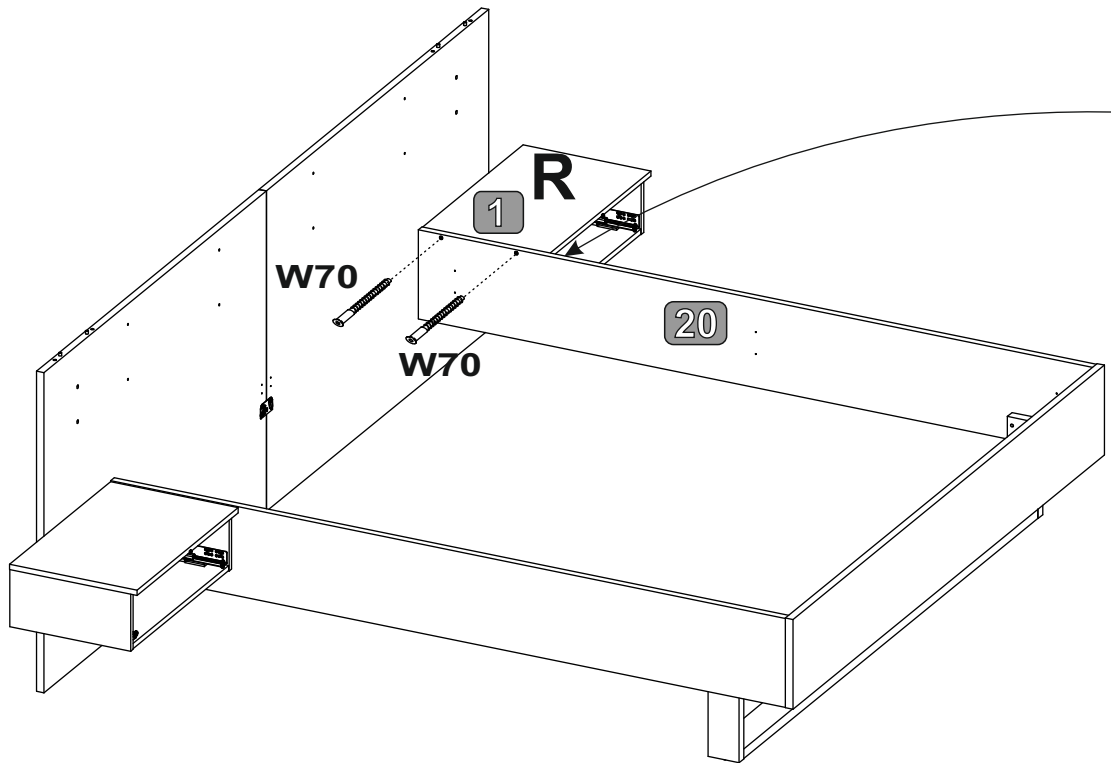
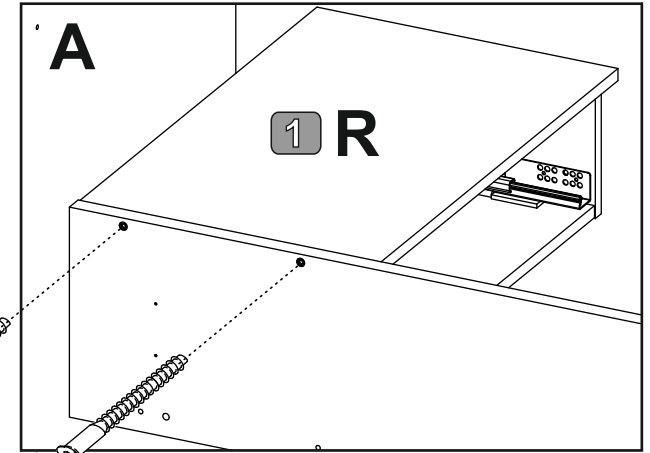
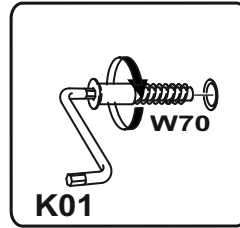
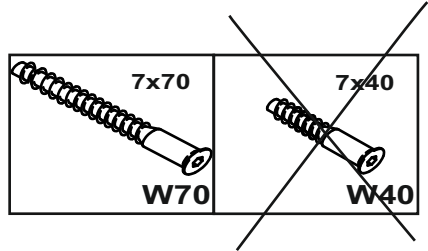
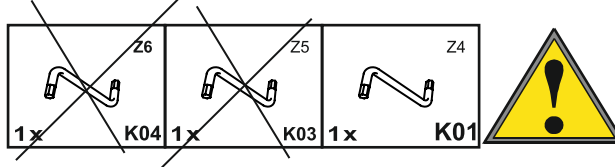
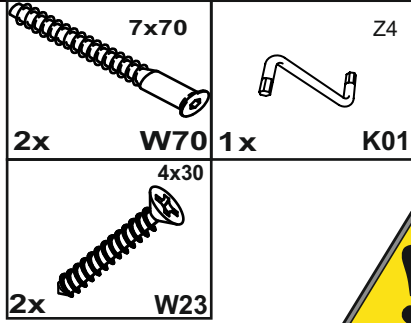
7x40 W40	7x70 W70	Z4 K01
2x	4x	1x



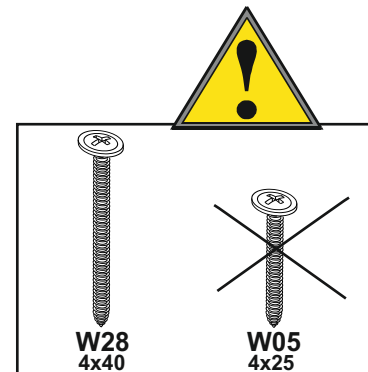
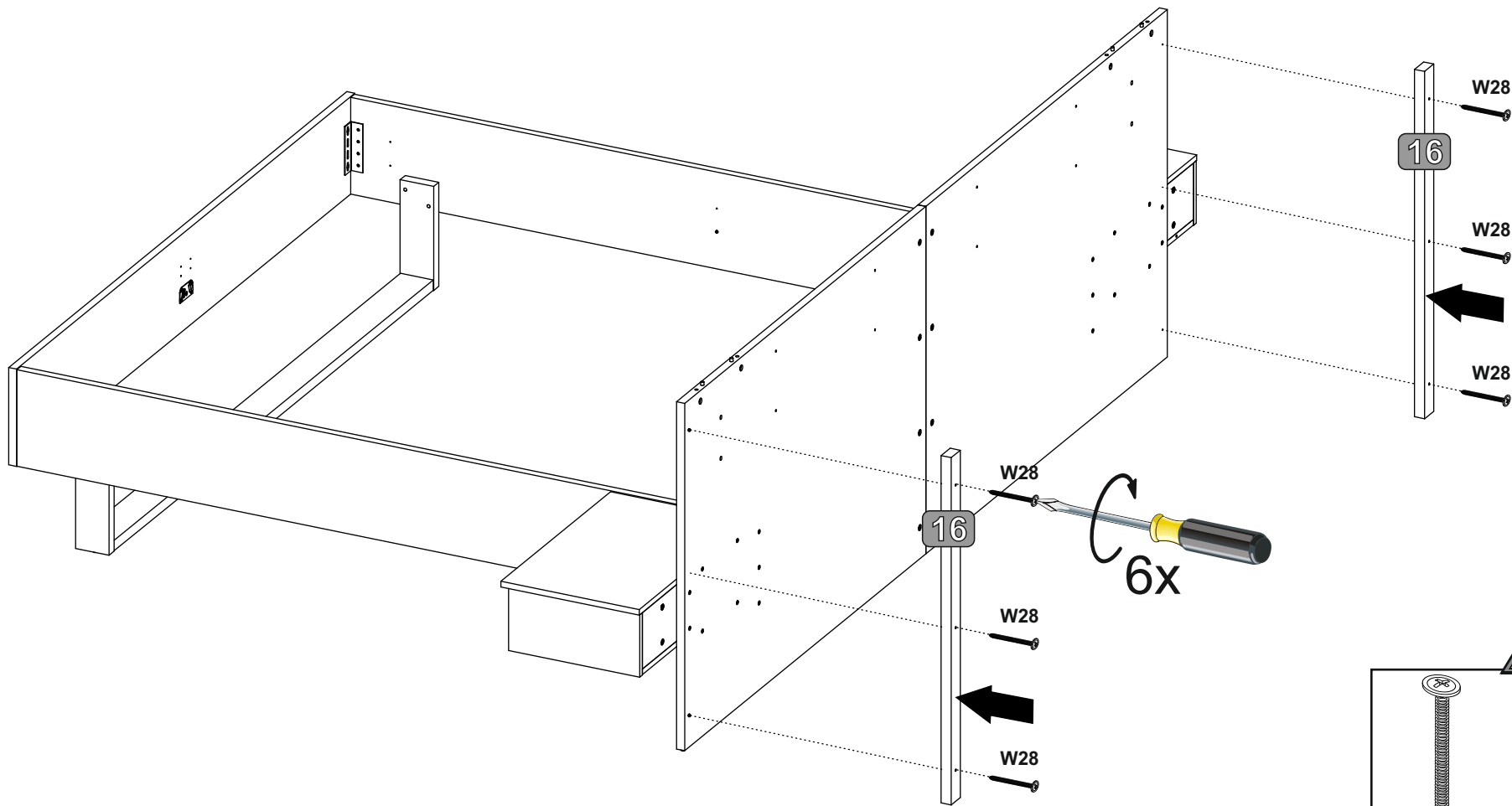
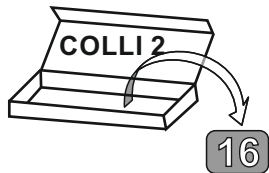
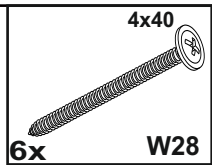
Z6 K04	Z5 K03	Z4 K01
1x	1x	1x



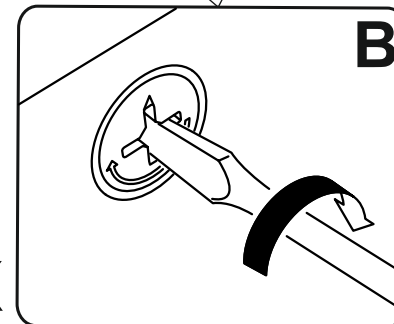
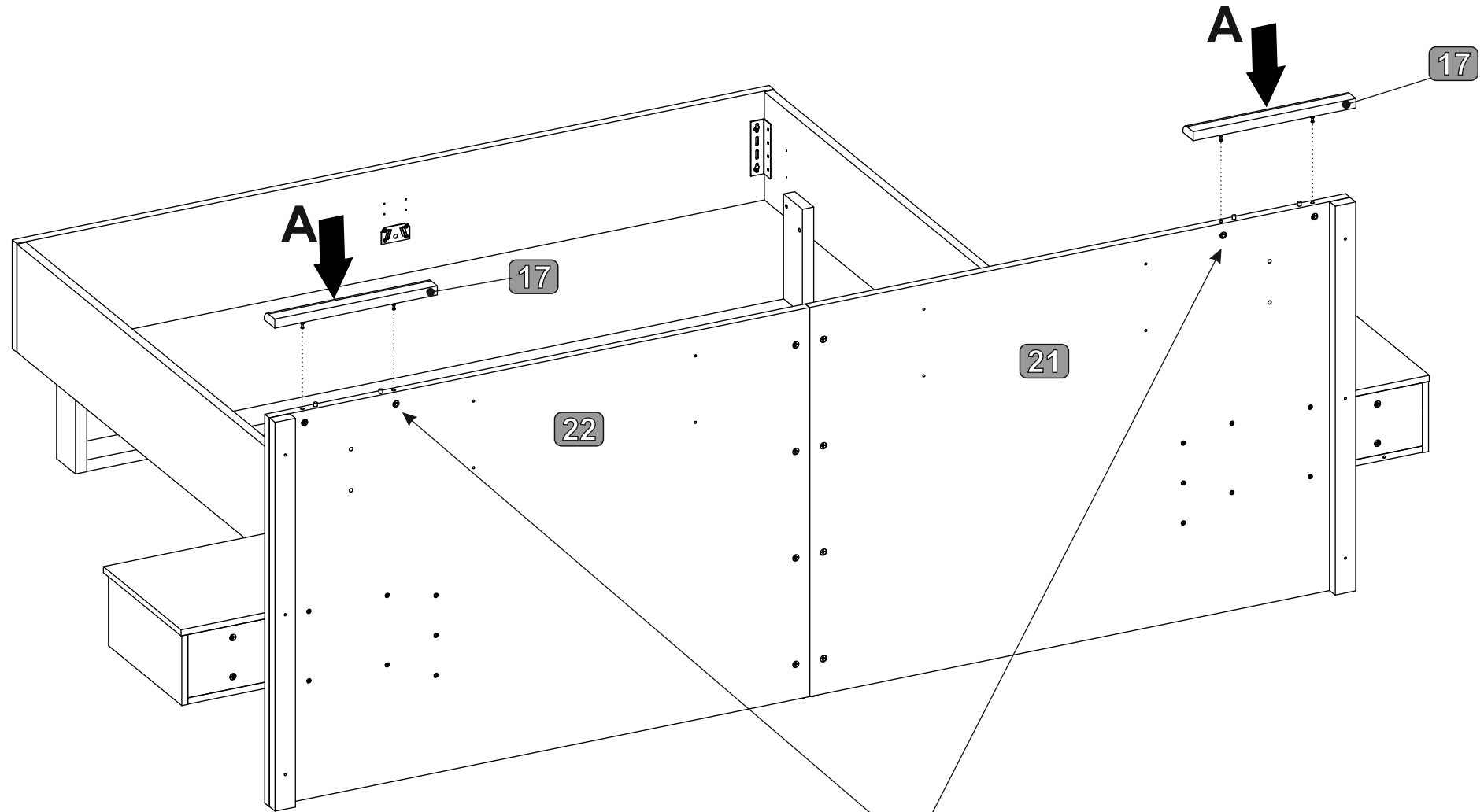
26



27

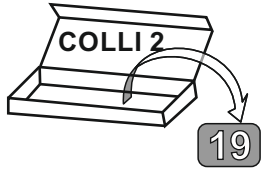
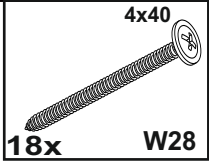


28

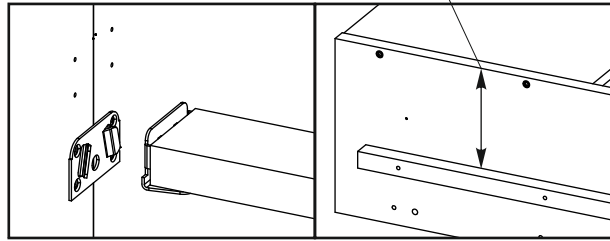


4x

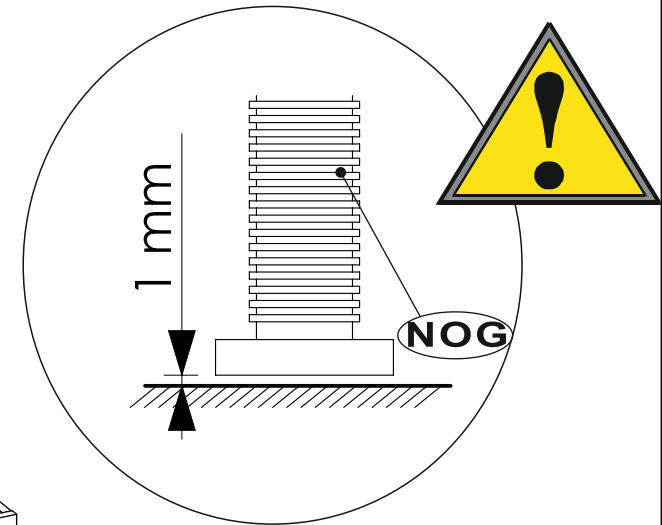
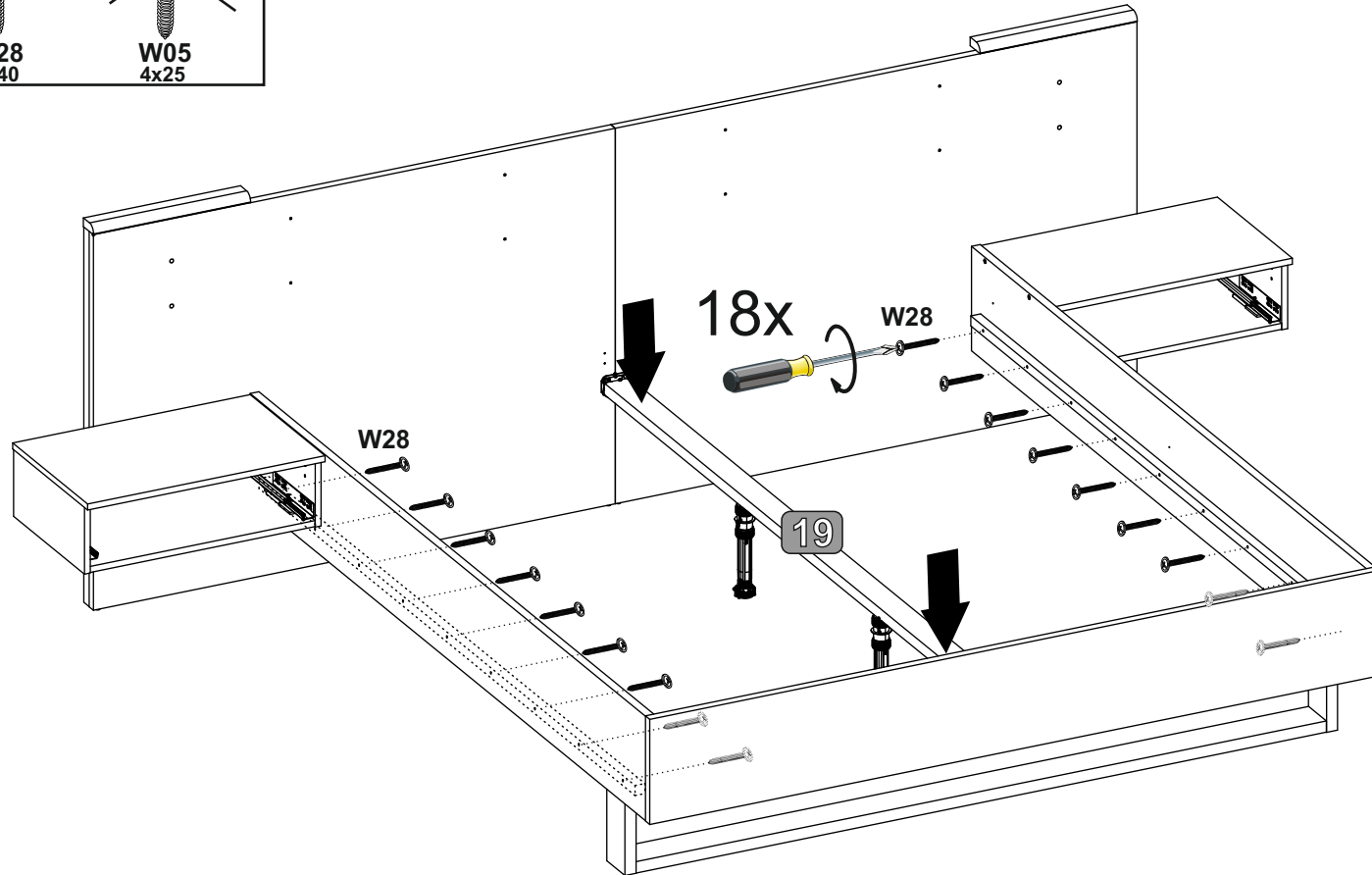
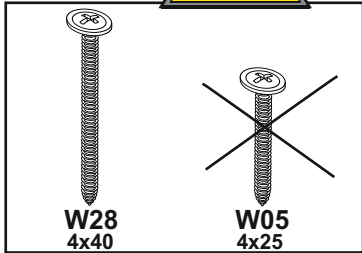
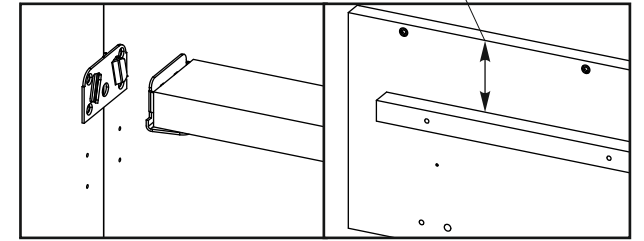
29



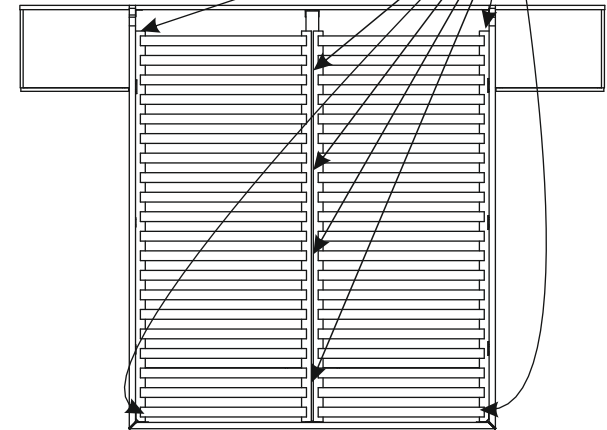
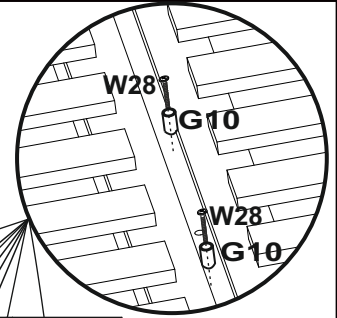
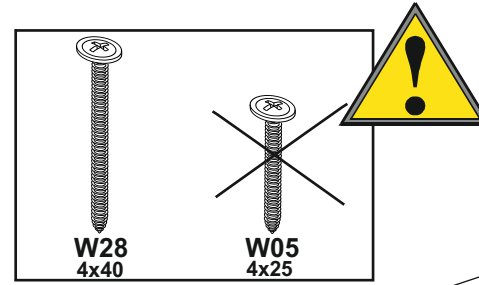
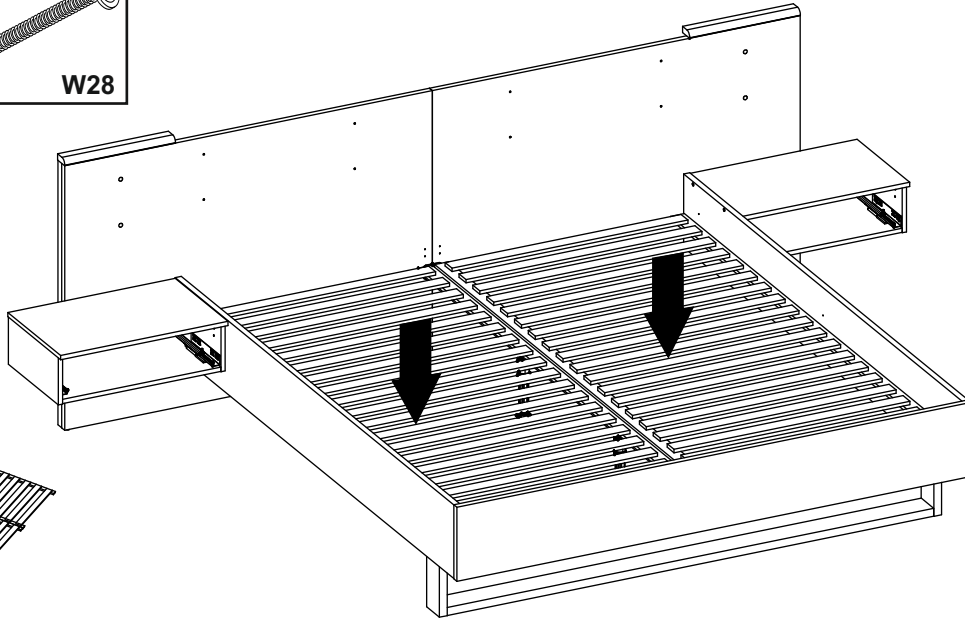
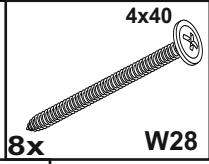
V.A 149mm



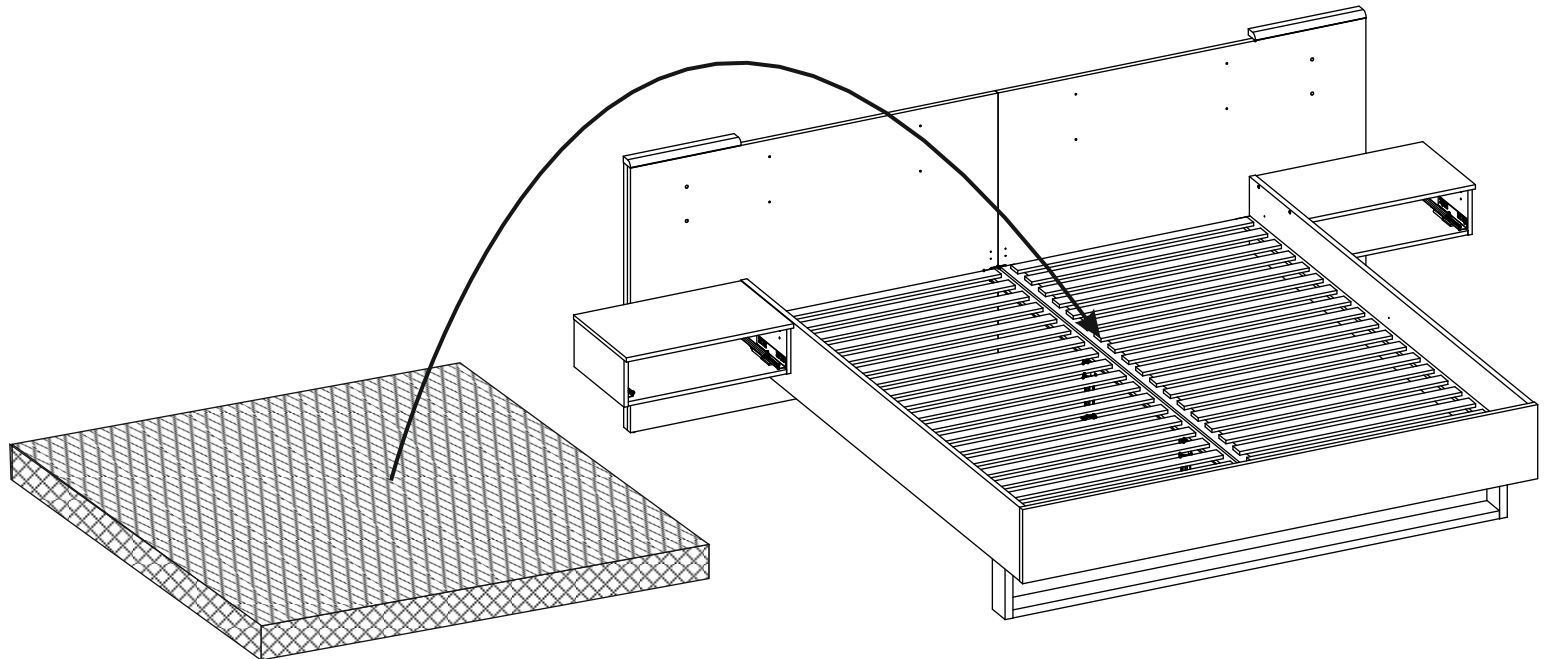
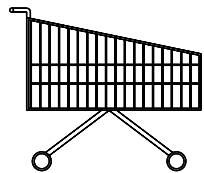
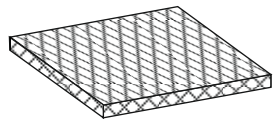
V.B 85mm



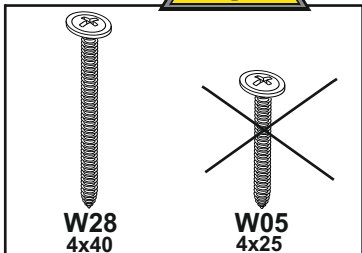
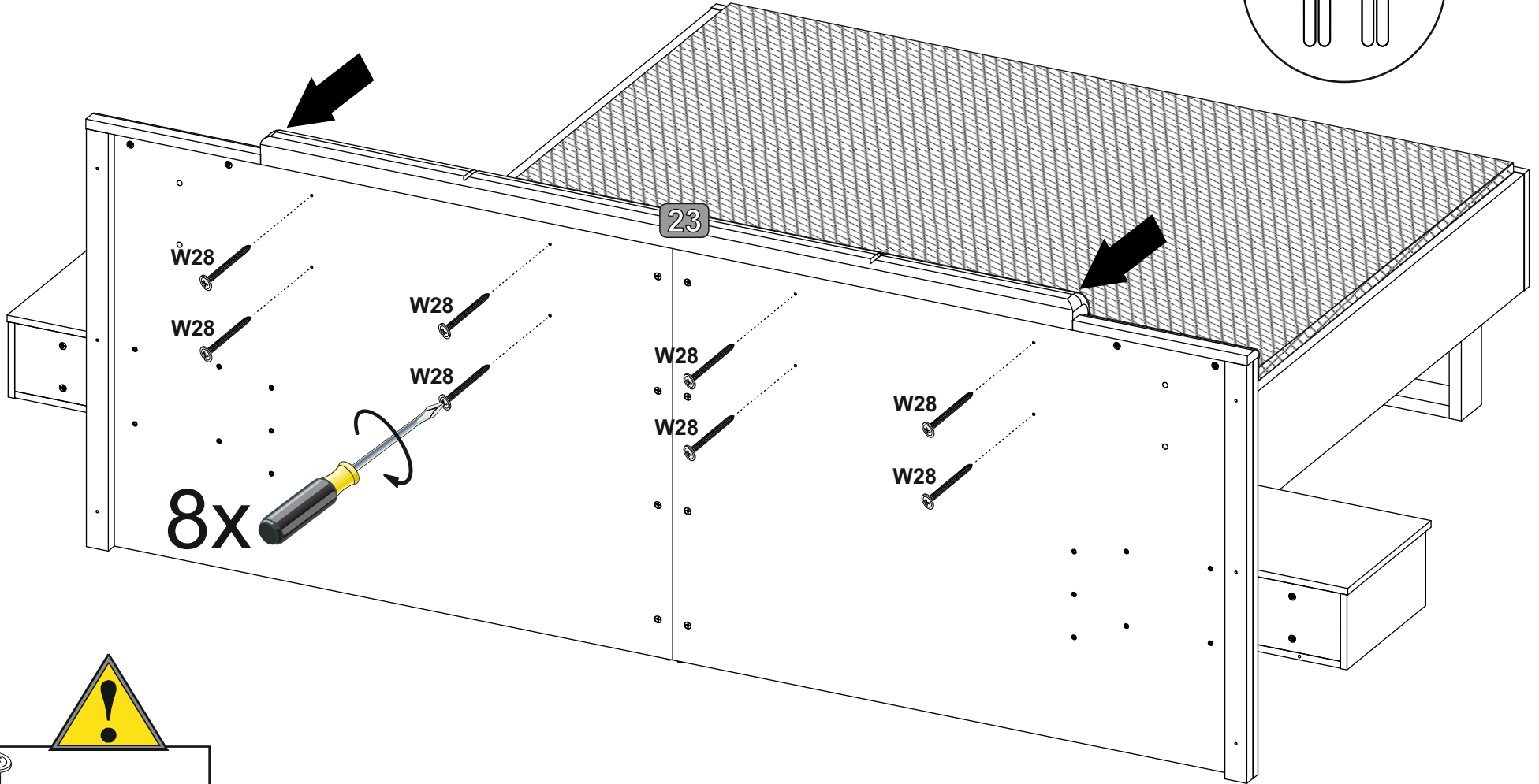
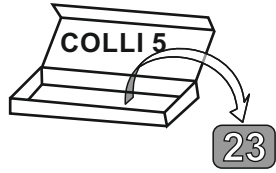
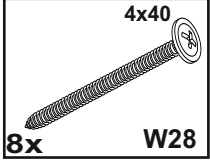
30



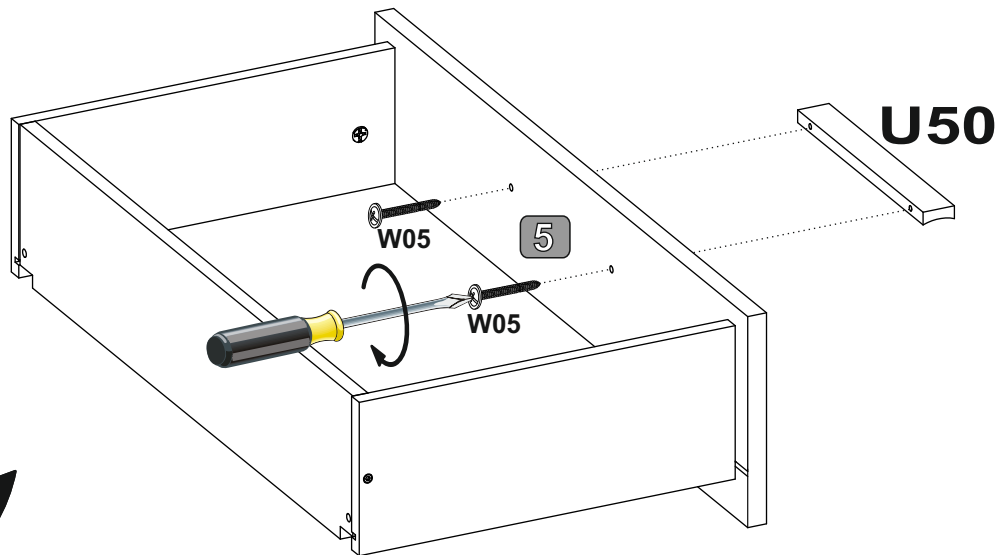
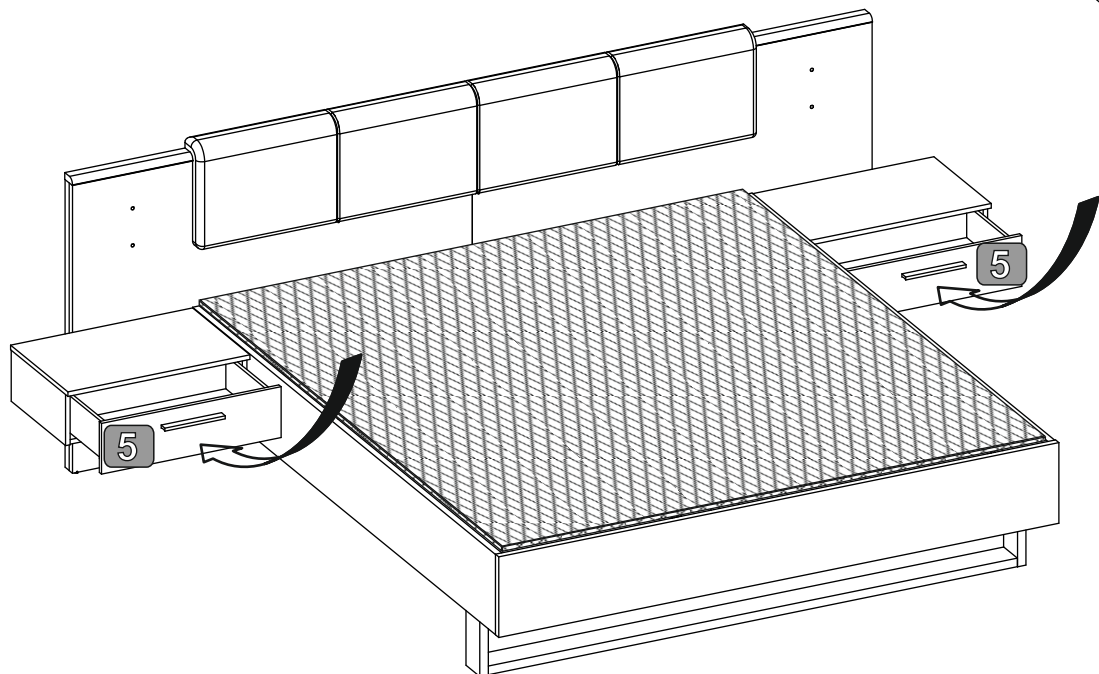
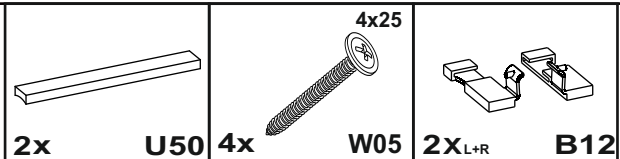
31



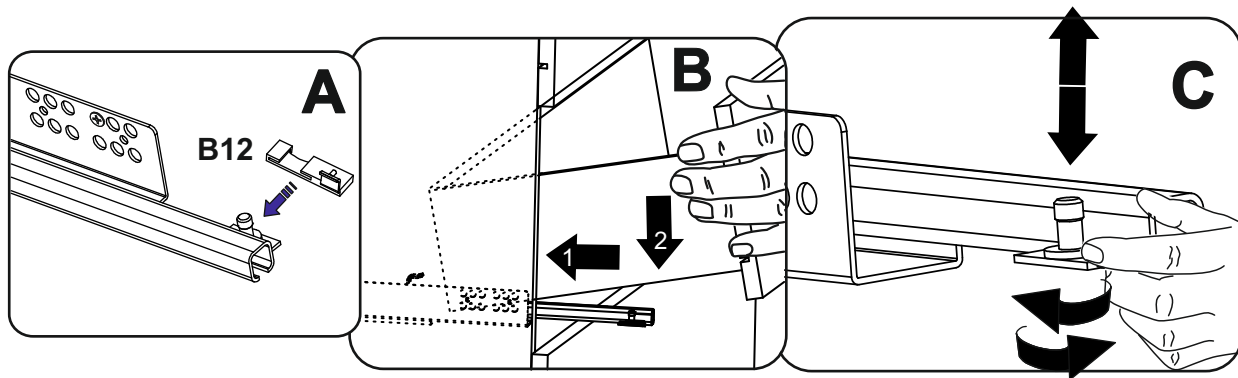
32



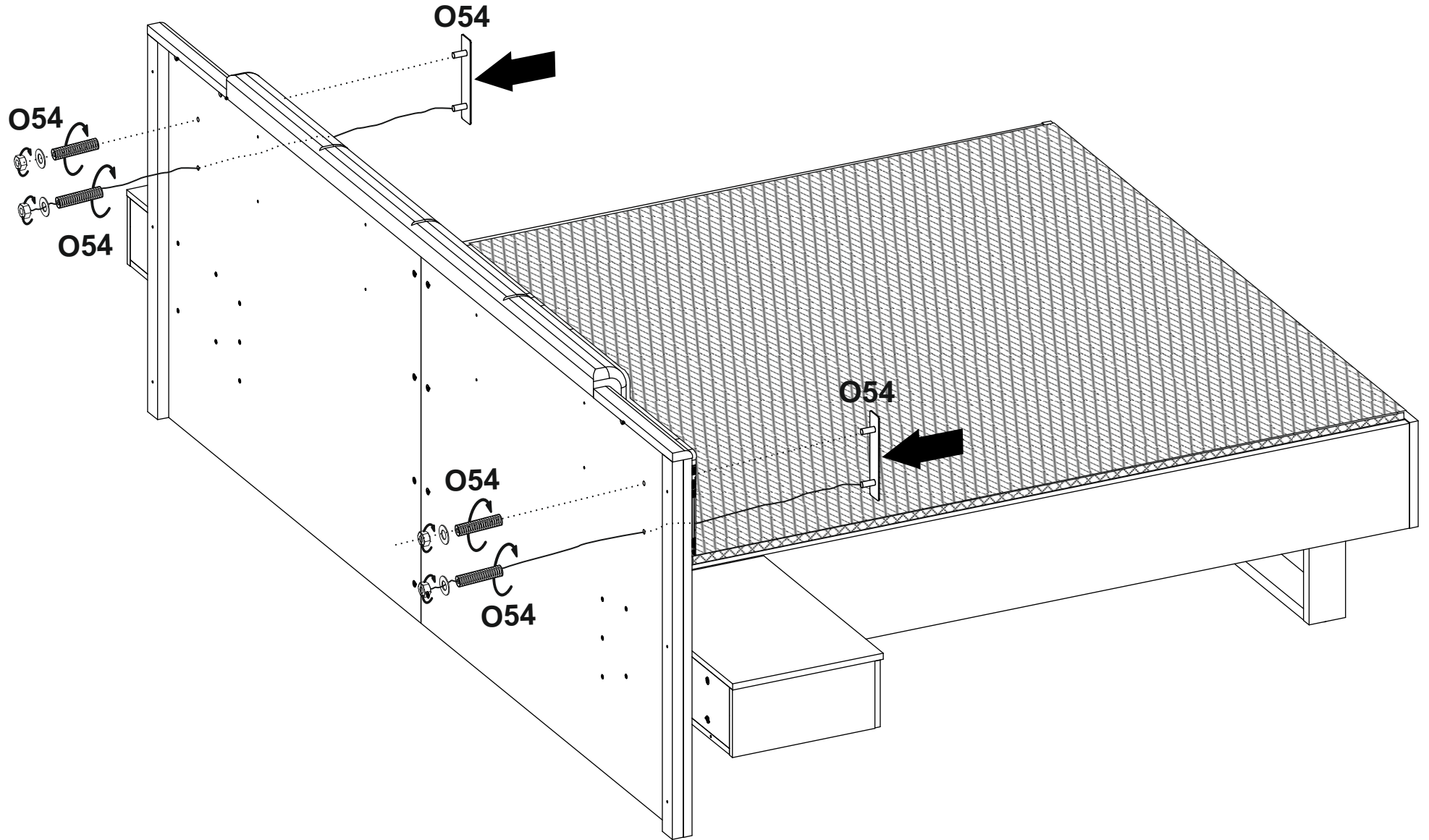
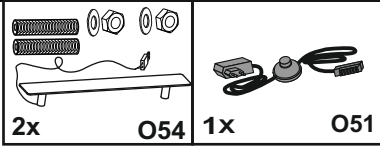
33



[2x]



34



35

LIV'IN
1x LIV'IN

