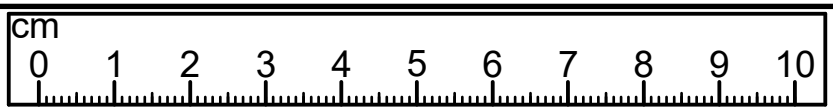
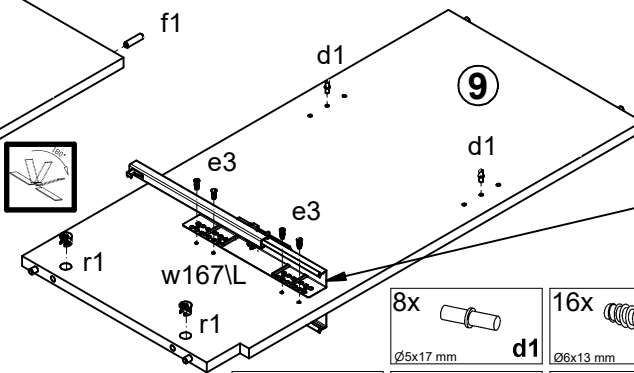
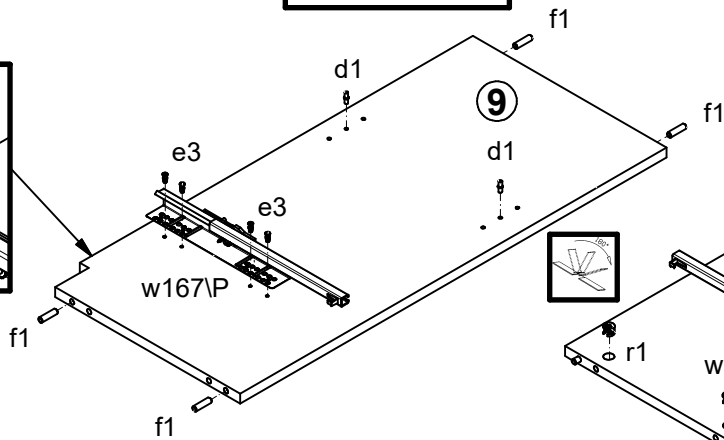
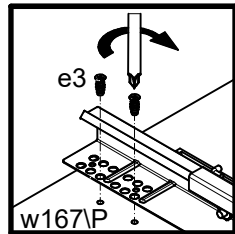
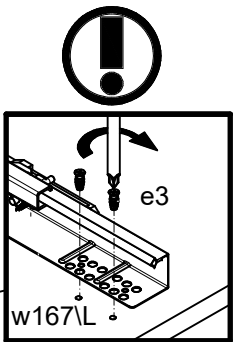
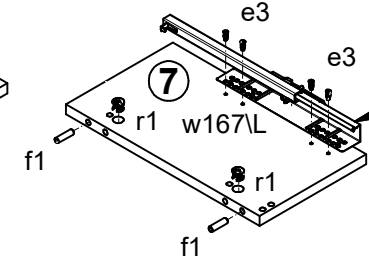
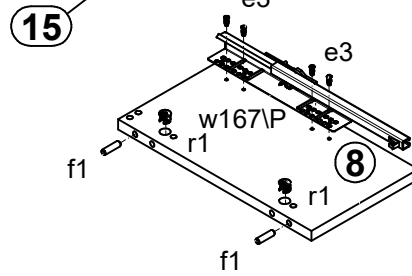
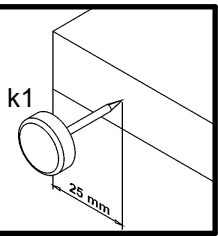
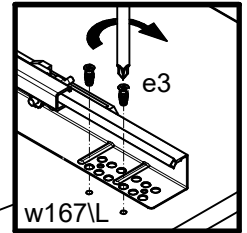
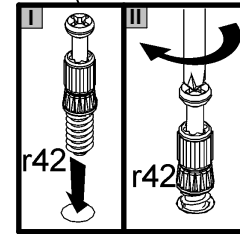
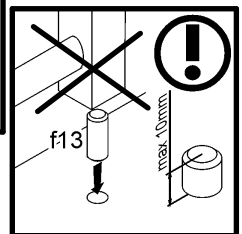
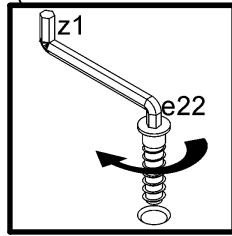
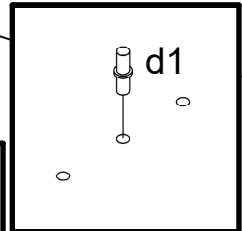
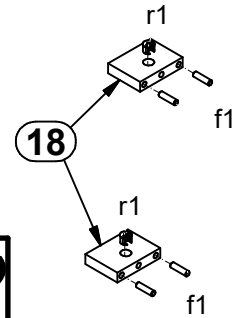
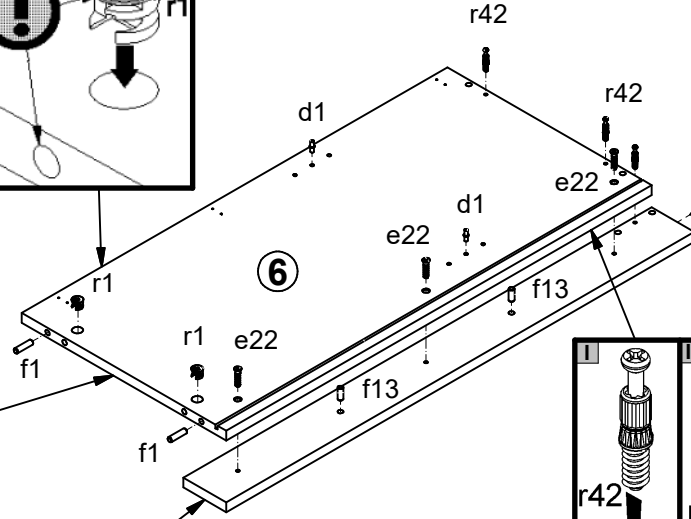
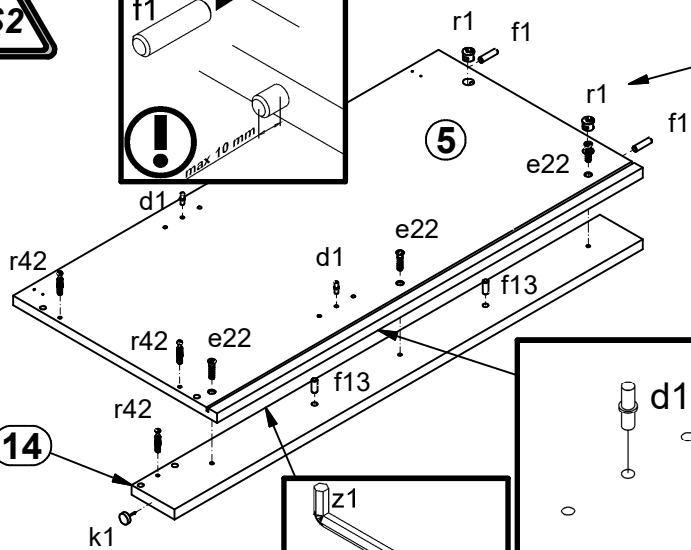
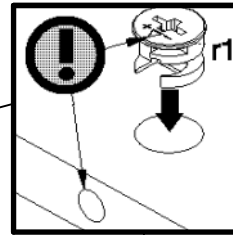
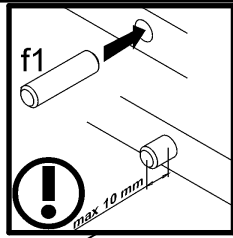


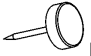
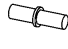

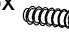







A	B	C (mm)		D
1	S391-0002	476	190	2/3
2	S391-0003	574	476	2/3
3	S391-0004	574	476	2/3
4	S391-0007	476	190	2/3
5	S391-1010	796	382	1/3
6	S391-1011	796	382	1/3
7	S391-1012	200	362	1/3
8	S391-1013	200	362	1/3
9	S391-1014	798	362	1/3
10	S391-2002	1117	405	1/3
11	S391-3002	1052	382	1/3
12	S391-3003	517	357	2/3
13	S391-4002	960	44	1/3
14	S391-5001	876	80	3/3
15	S391-5002	876	80	3/3
16	S391-5003	913	80	3/3
17	S391-5004	913	80	3/3
18	S391-5005	80	60	3/3
19	S391-9002	443	355	2/3
20	S391-9303	808	531	1/3
21	S391-9305	808	531	1/3
22	ZQ2-1543	432	107	2/3
23	ZQ3-507	350	120	2/3
24	ZQ3-508	350	120	2/3



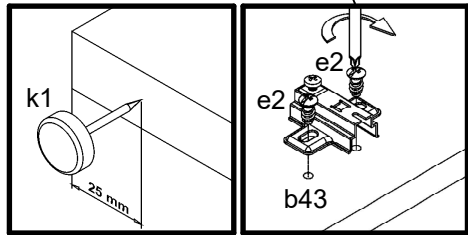
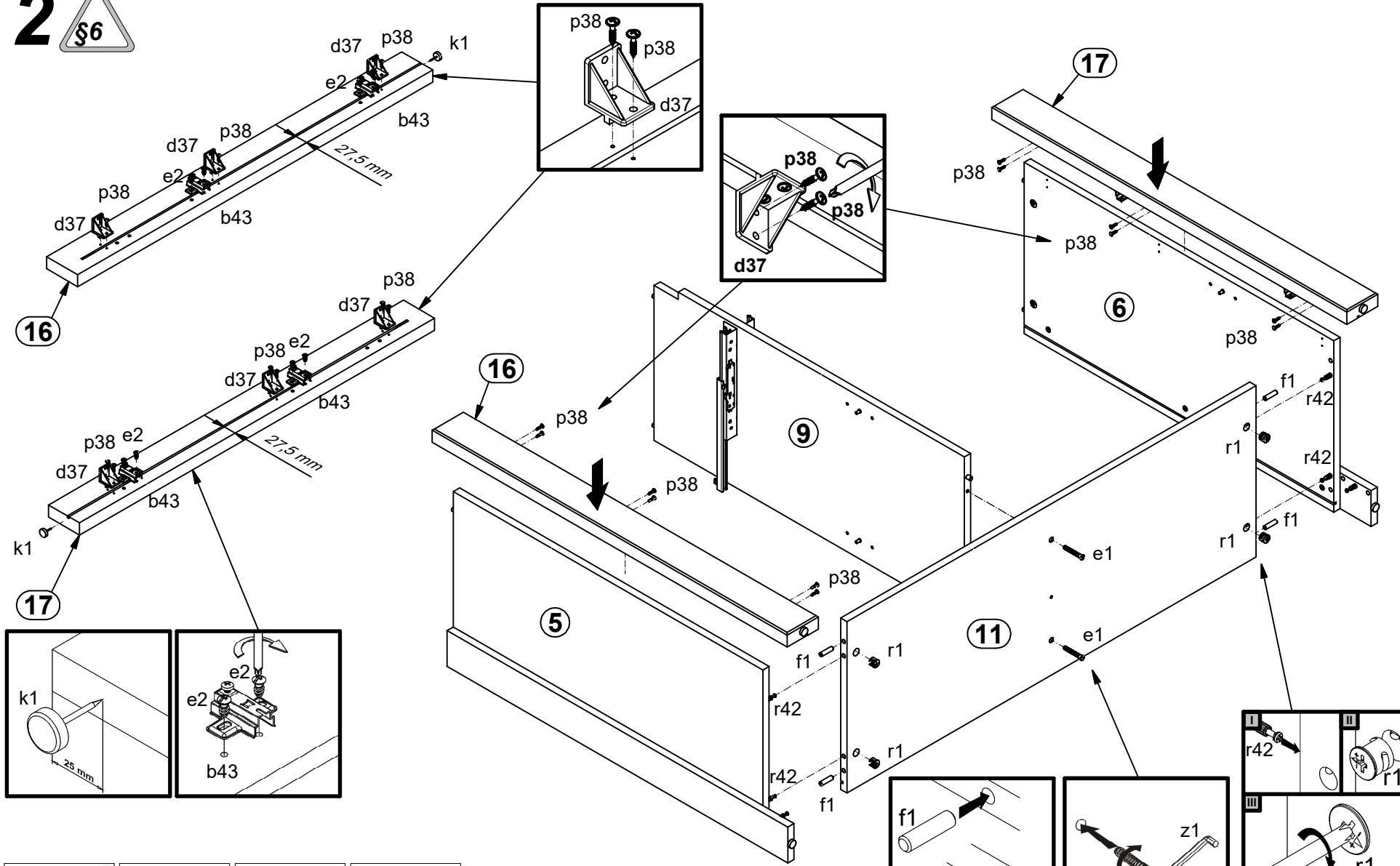
4x a132	2x a133	4x b43	4x c468 96 mm	8x d1 Ø5x17 mm	6x d37	2x e1 Ø7x50 mm	9x e2 Ø6,3x13 mm	16x e3 Ø6x13 mm	6x e22 Ø7x28 mm	24x f1 Ø8x30 mm	4x f9 Ø6x30 mm	4x f13 Ø8x20 mm
8x f25 Ø6,5x40 mm	1x f35 Ø10x50 mm	6x k1	1x k38\13 42,5x42,5x4 mm	1x k38\10 30x30x70 mm	14x l2	1x n142 86x21x19/1,6	4x n108 20x13x3,5/1	1x p17 Ø5x60 mm	38x p38 Ø3,5x16 mm	8x p51 Ø3,5x15 mm	8x p55 Ø2,9x16 mm	8x p59 Ø4x12 mm
16x r1 Ø15x12 mm #16	8x r15 Ø12x10,5 mm #12	24x r42 20/11	2x w167L 350mm	2x w167P 350mm	1x z1 4 mm	4x s1						





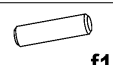
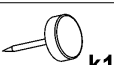
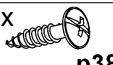

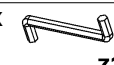
1 

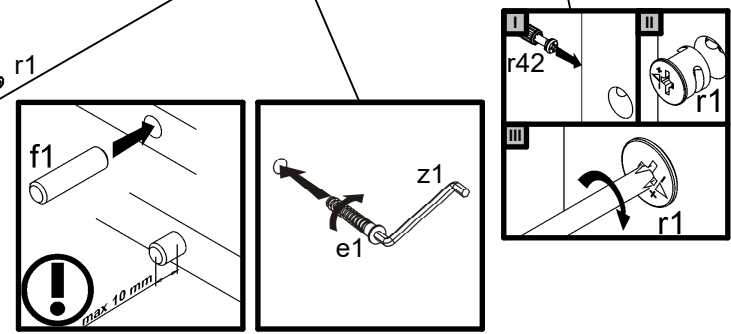


2x		8x		16x		6x		16x		4x	
	$\text{Ø}15 \times 12 \text{ mm} \#16$		$\text{Ø}5 \times 17 \text{ mm}$		$\text{Ø}6 \times 13 \text{ mm}$		$\text{Ø}7 \times 28 \text{ mm}$		$\text{Ø}8 \times 30 \text{ mm}$		$\text{Ø}8 \times 20 \text{ mm}$
		6x		2x		2x		1x			
	$\text{Ø}15 \times 12 \text{ mm} \#16$		20×11		350mm		350mm		4 mm		

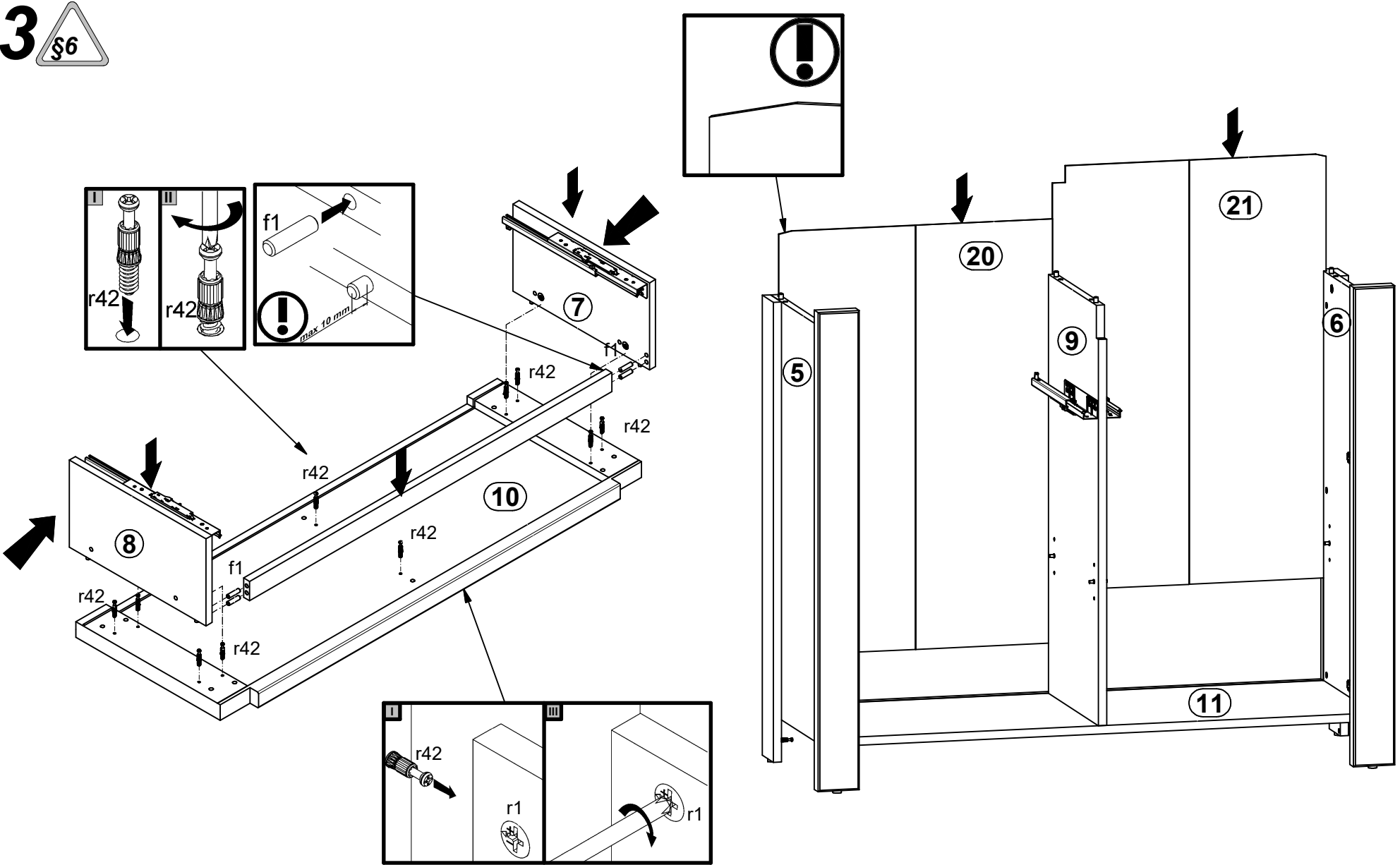
2 



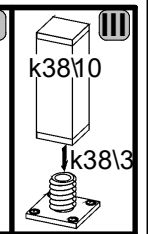
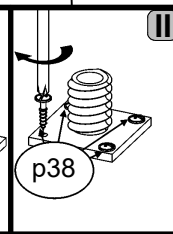
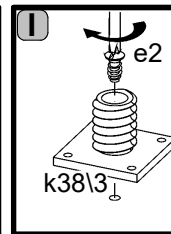
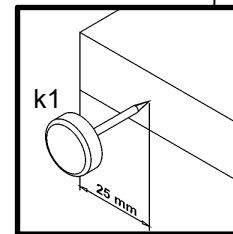
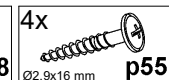
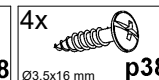
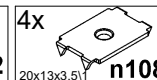
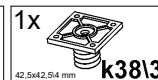
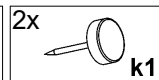
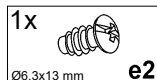
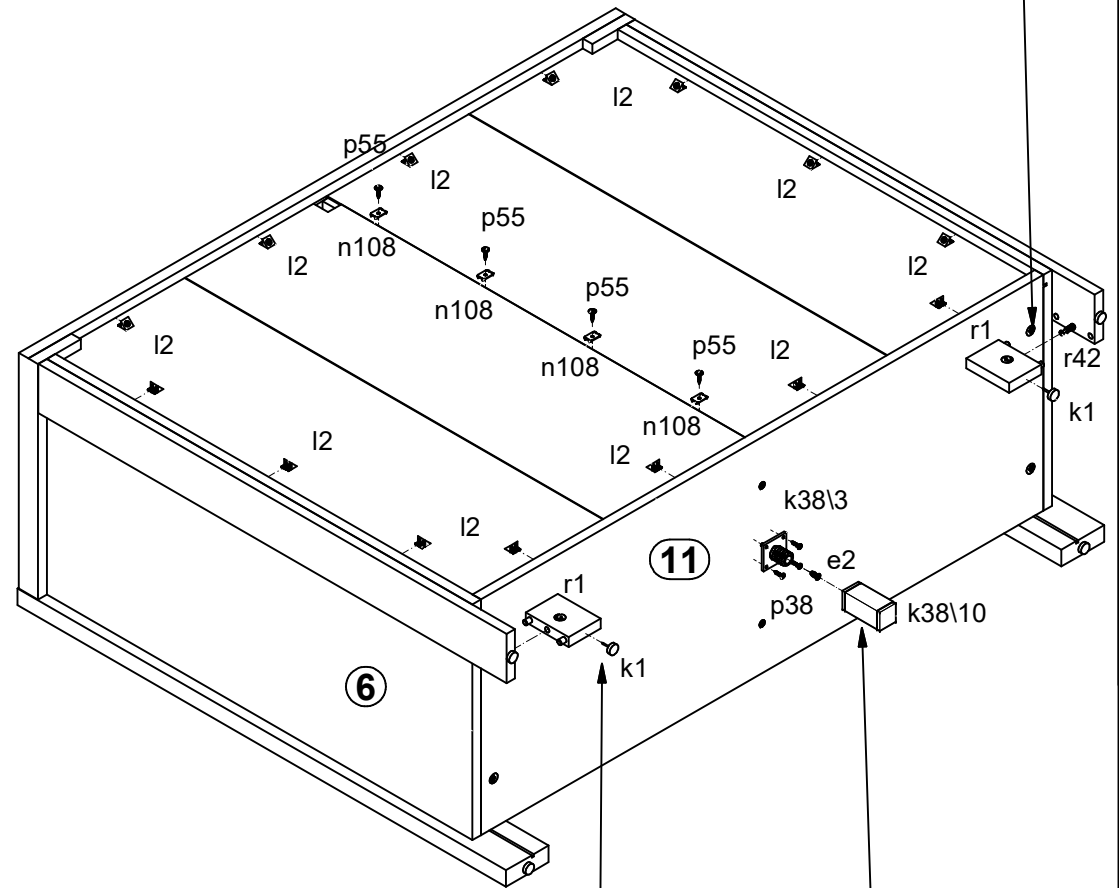
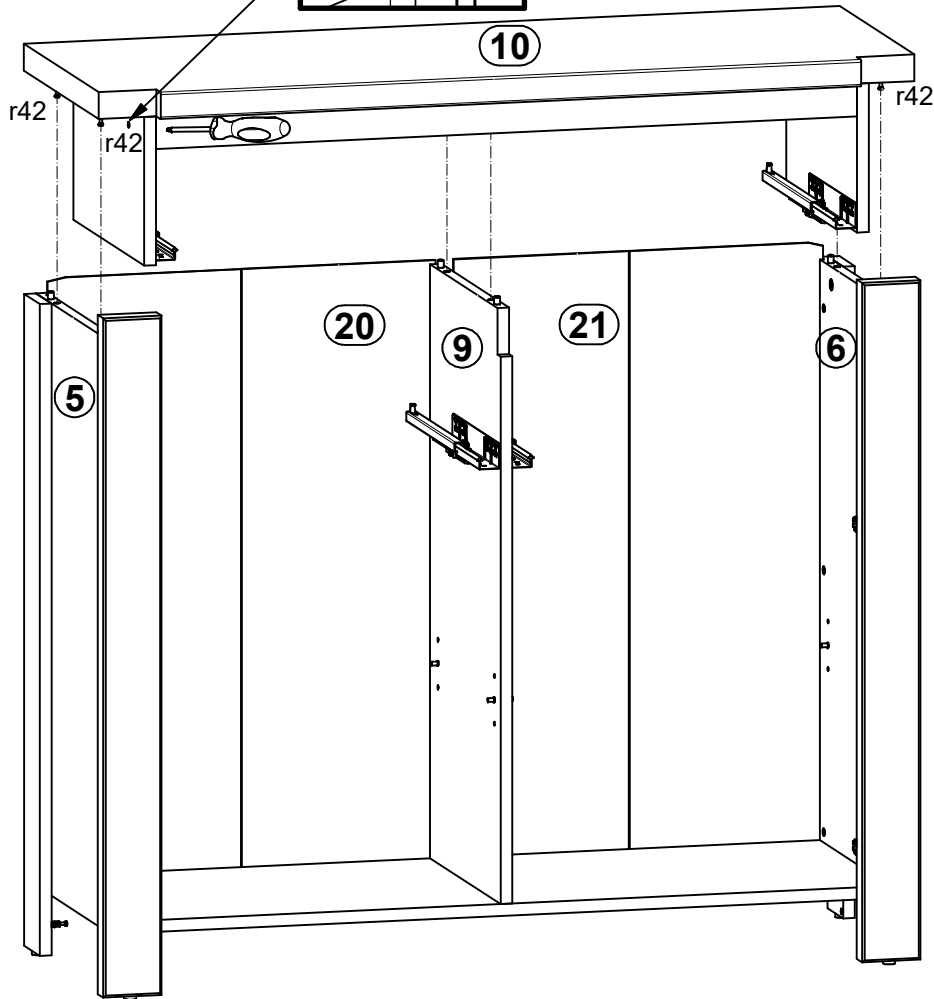
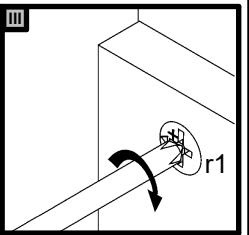
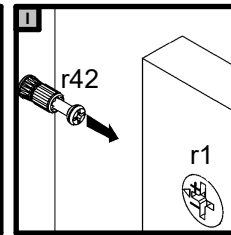
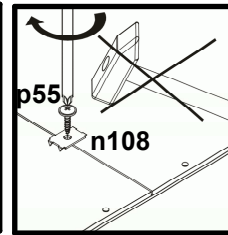
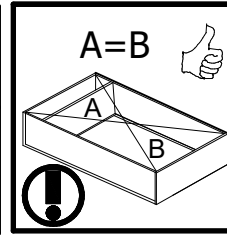
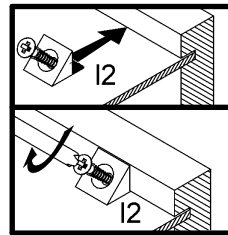
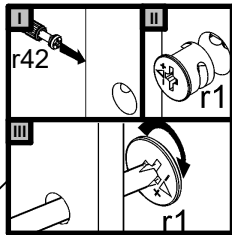
- | | | | |
|--|---|--|---|
| 4x  b43 | 6x  d37 | 2x  e1
Ø7x50 mm | 8x  e2
Ø6.3x13 mm |
| 4x  f1
Ø8x30 mm | 2x  k1 | 24x  p38
Ø3.5x16 mm | 4x  r1
Ø15x12 mm #16 |
| | | | 1x  z1
4 mm |



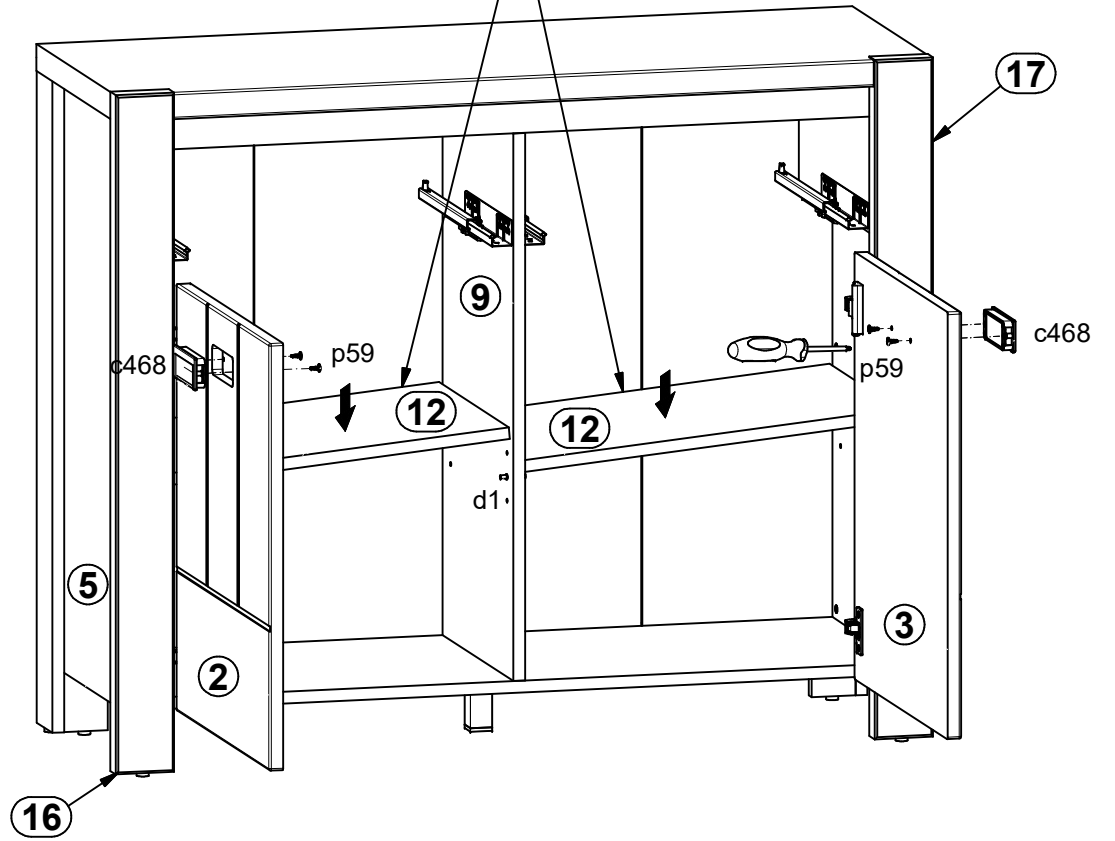
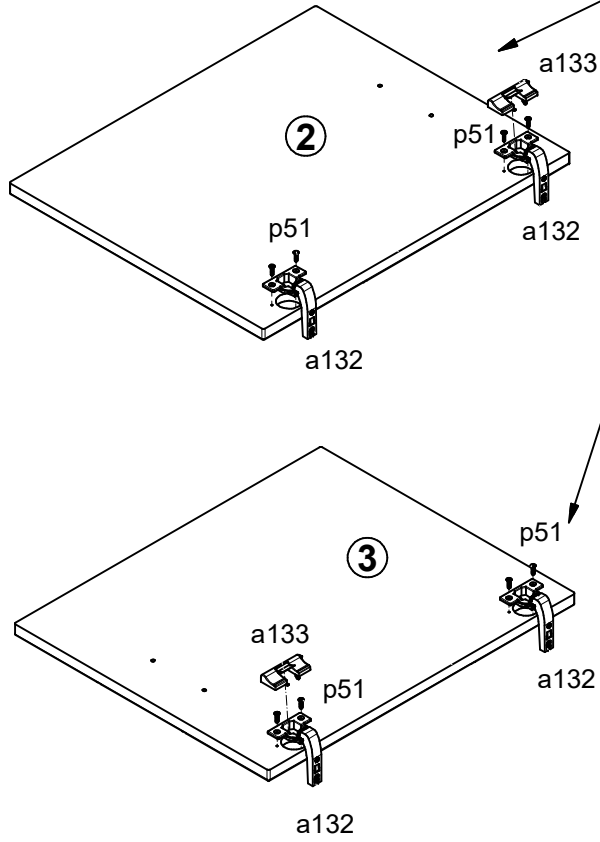
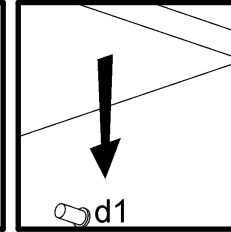
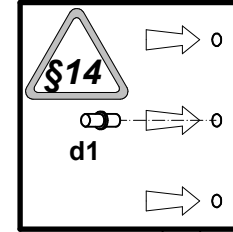
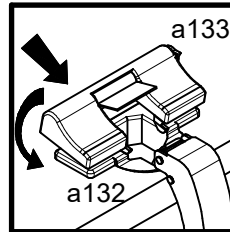
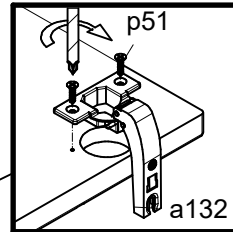
3  §6



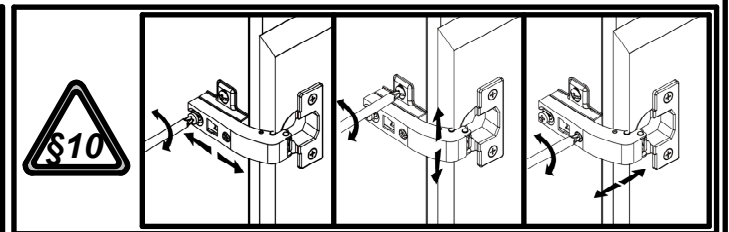
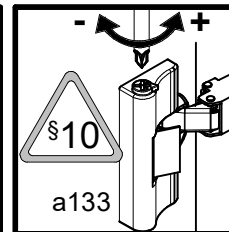
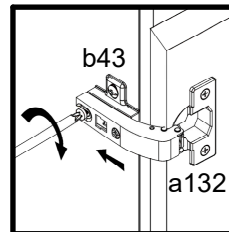
4 



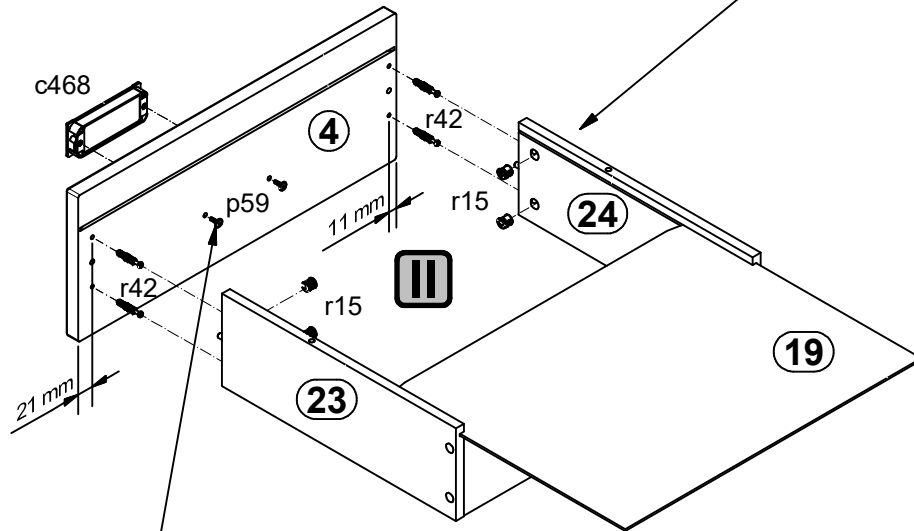
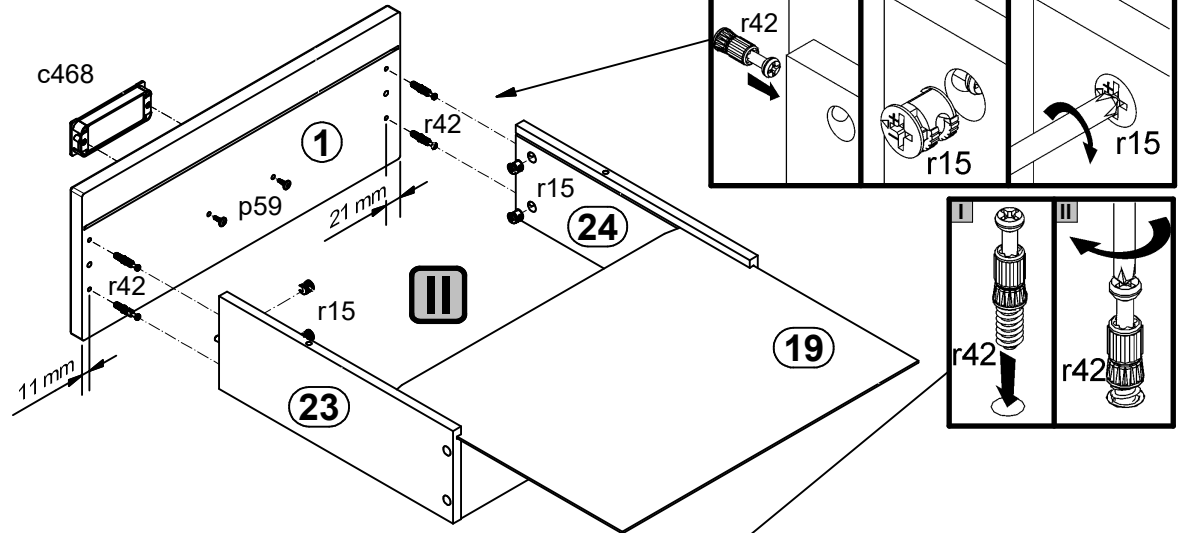
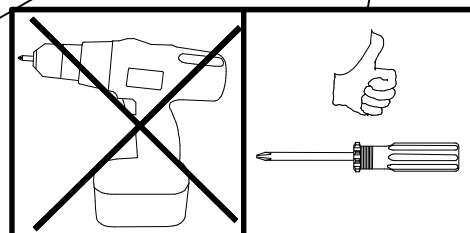
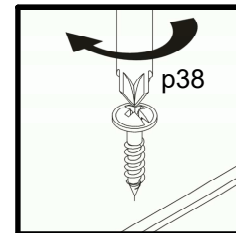
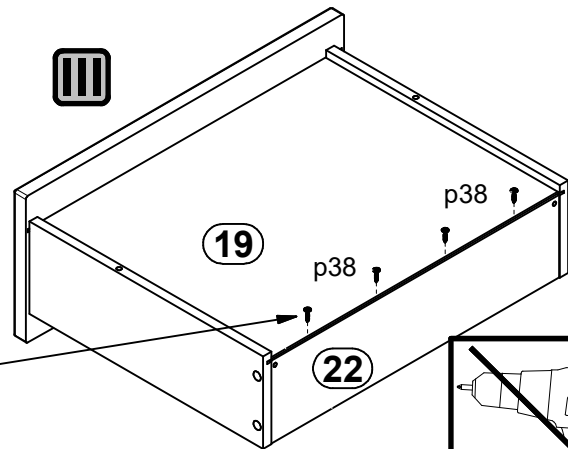
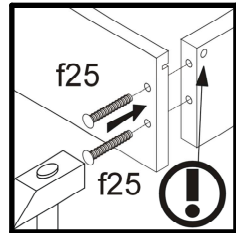
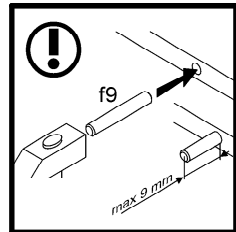
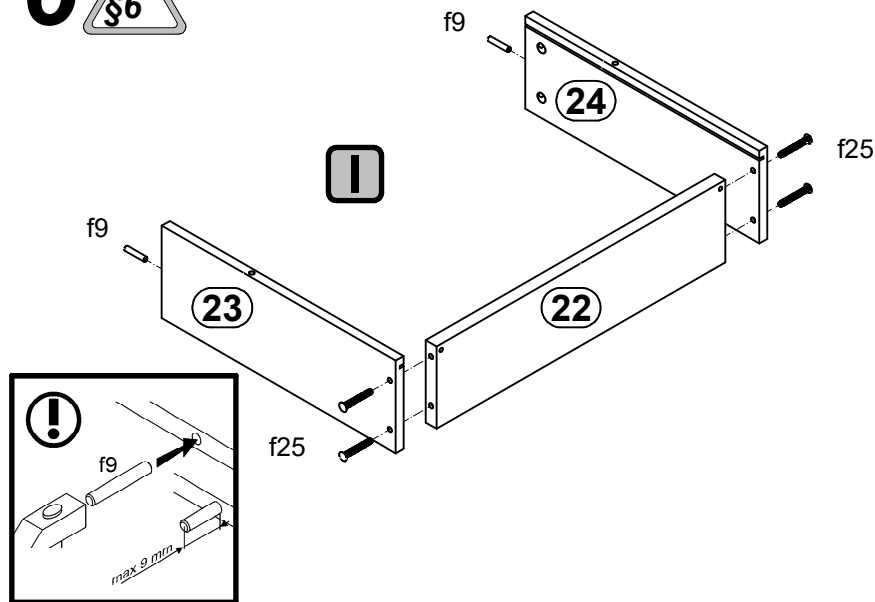
5 §6



- 4x a132
- 2x a133
- 2x c468
- 8x p51
- 4x p59

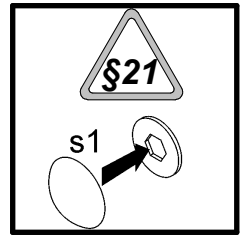
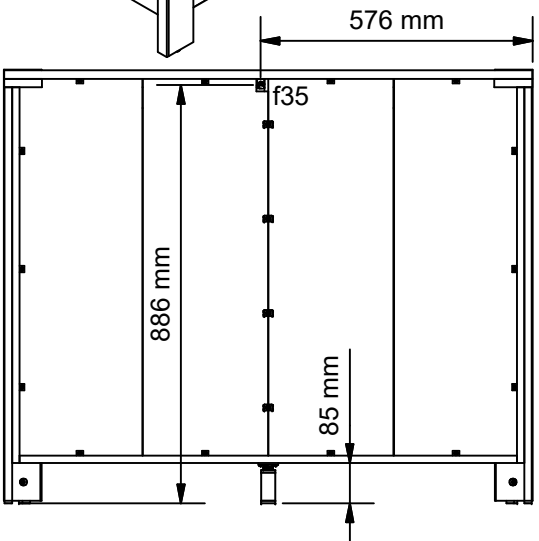
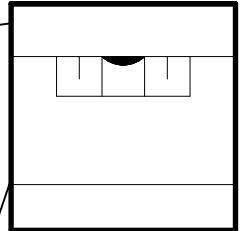
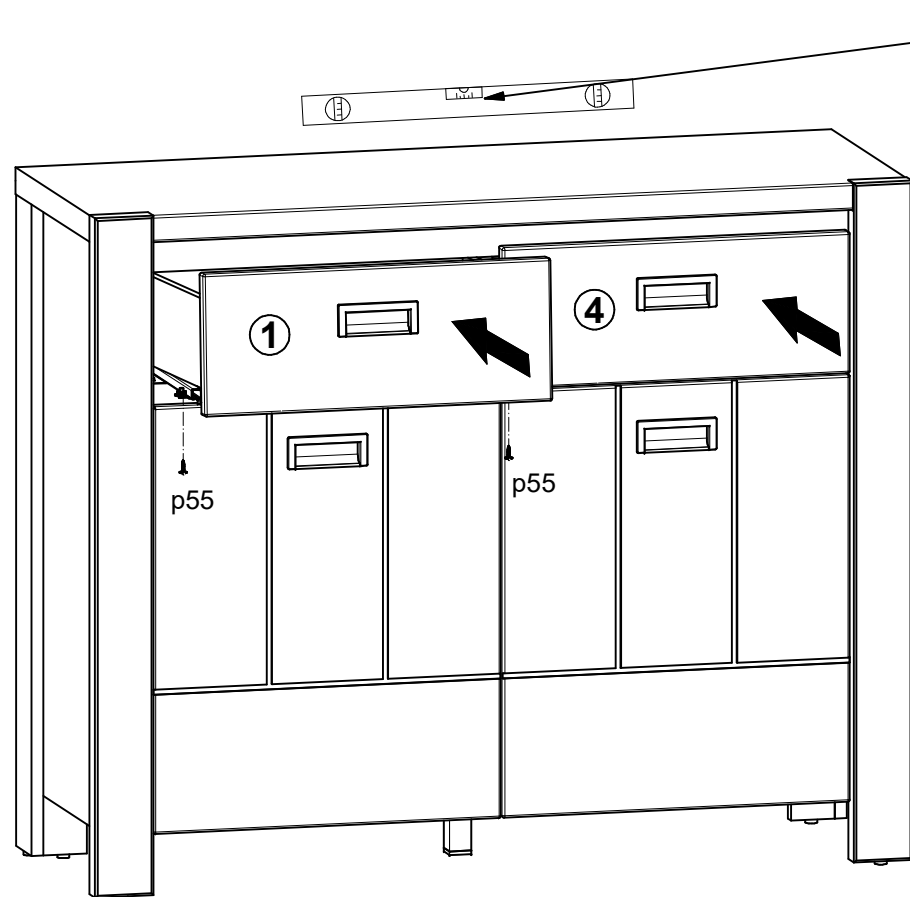
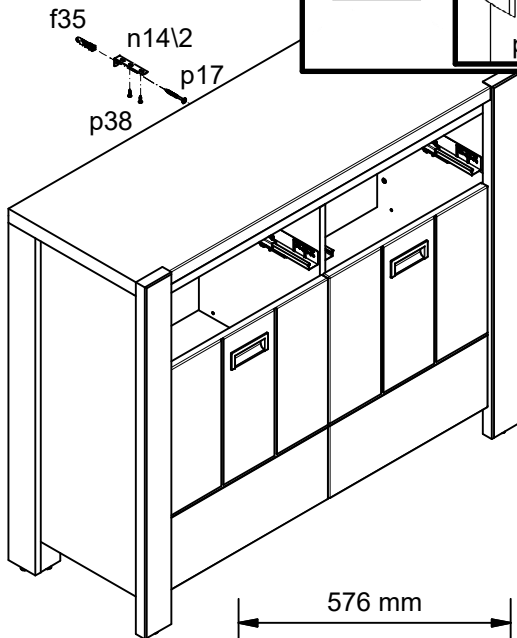
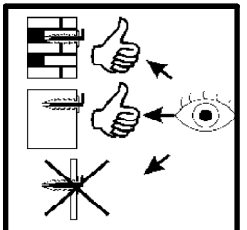
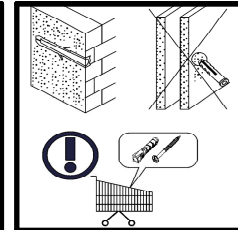
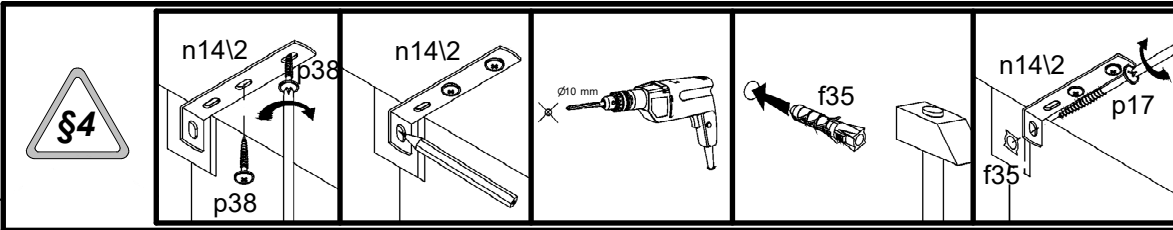


6



8x Ø3.5x16 mm p38	2x 96 mm c468	4x Ø6x30 mm f9	8x Ø6.5x40 mm f25
4x Ø4x12 mm p59	8x Ø12x10.5 mm #12 r15	8x 20/11 r42	

7



- 1x f35
- 1x n14/2
- 1x p17
- 2x p38
- 4x p55
- 4x s1

