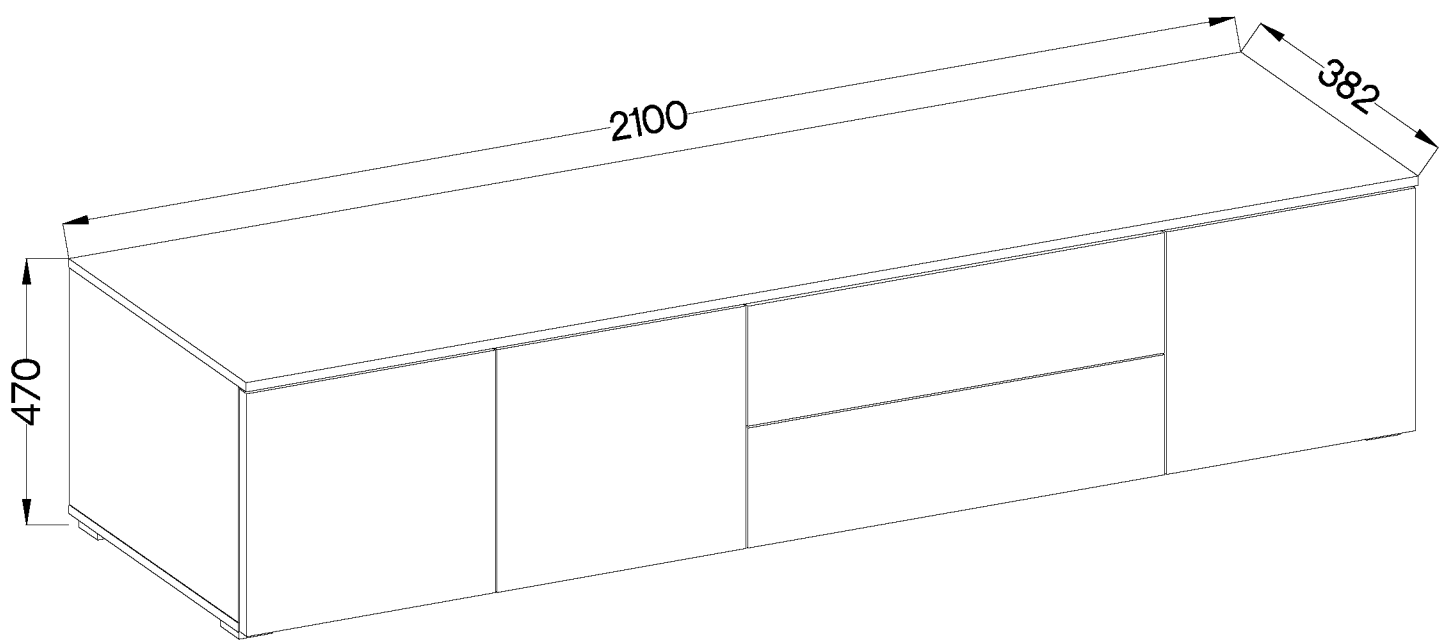
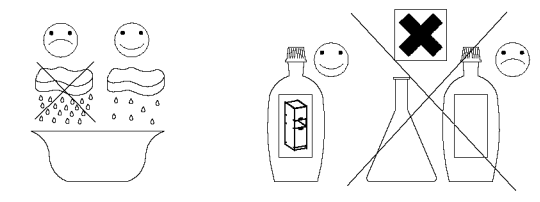
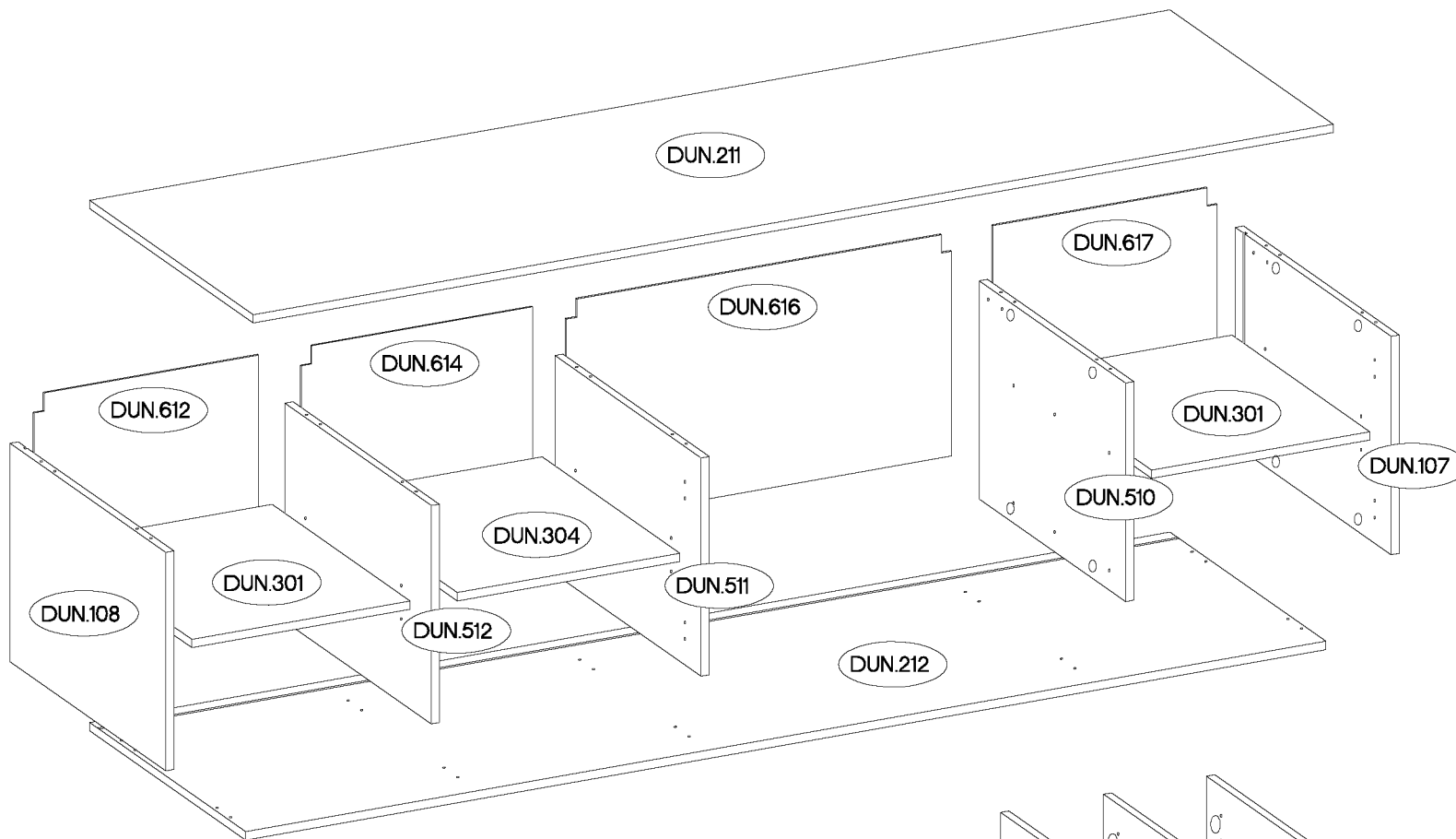


Kommode 3F 32
45-117-18



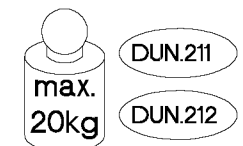
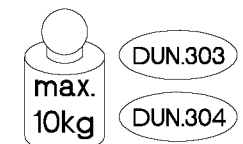
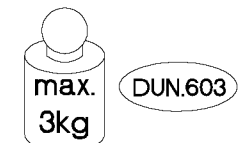
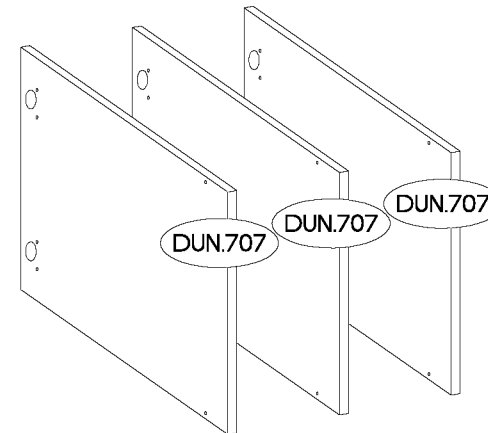
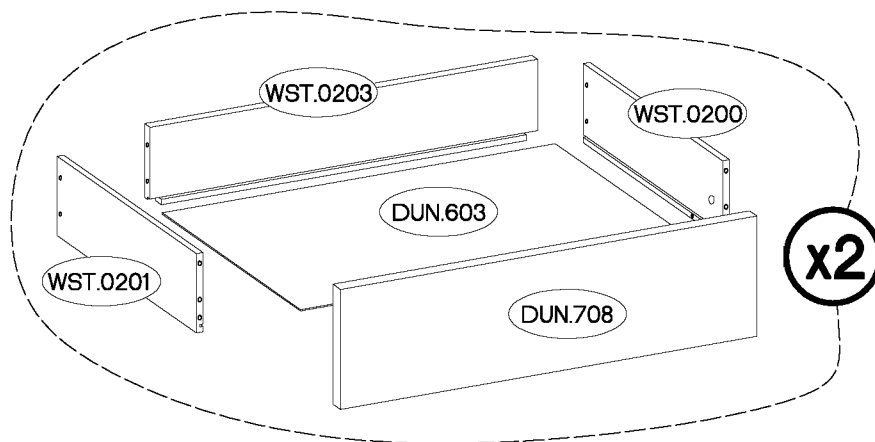
 †8x30mm A 28	 †6x42mm B2 8	 †15/12mm C 20	 †12/10mm C5 4	 L=20mm D2 24	 E 9				
 E13 5	 60x40x20 F1 7	 †35/0mm HG 4	 †35/9mm HG1 2	 L=300mm I16 2	 †5/16mm J3 12	 K25 3	 K26 2	 L=300 mm K31 2	
 L 26	 L2 9	 L33 3	 †6.3x13mm M2 12	 6.5/68mm O4 5	 †10x50mm O7 5	 †4.0x20mm P2 14	 †3.5x13mm P5 22	 †3.0x20mm P7 9	 †4.0x30mm P8 10

ISM-DUN-06


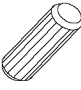


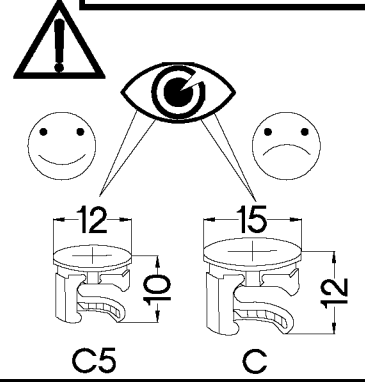
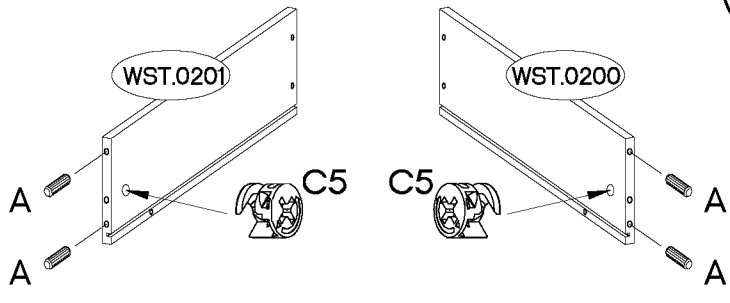
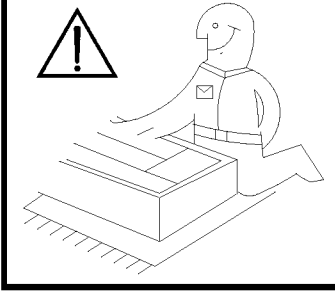
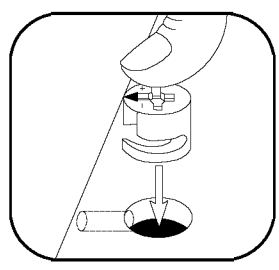
Colli	Ersatzteil Nummer	Dimension
Colli 1/2	DUN.612	427x437x2.5
	DUN.614	427x449x2.5
	DUN.616	427x749x2.5
	DUN.617	427x437x2.5
	DUN.707 x3	428x446x16
	DUN.301 x2	424x322x16
	DUN.304	433x322x16
	DUN.708 x2	212x746x16
	WST.0200 x2	300x140x12
	WST.0201 x2	300x140x12
	WST.0203 x2	694x140x12

Colli	Ersatzteil Nummer	Dimension
Colli 2/2	DUN.107	418x364x16
	DUN.108	418x364x16
	DUN.510	418x342x16
	DUN.511	418x342x16
	DUN.512	418x342x16
	DUN.211	2100x382x16
	DUN.212	2100x364.5x16
	DUN.603 x2	704x298x2.5




1

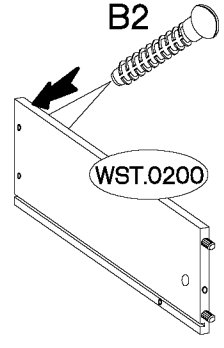
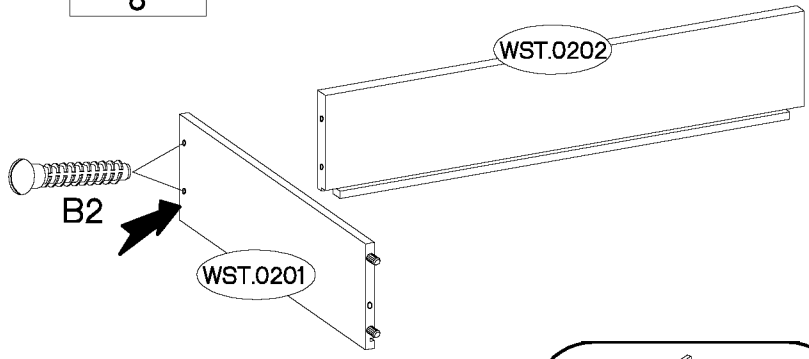
±12/10mm  C5 4	±8x30mm  A 8
---	---



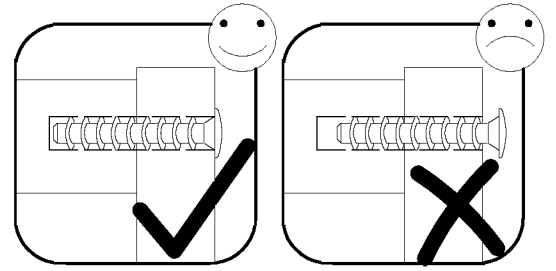
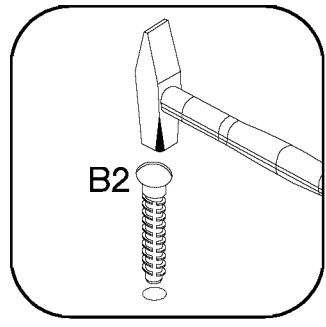
x2

2


±6x42mm  B2 8

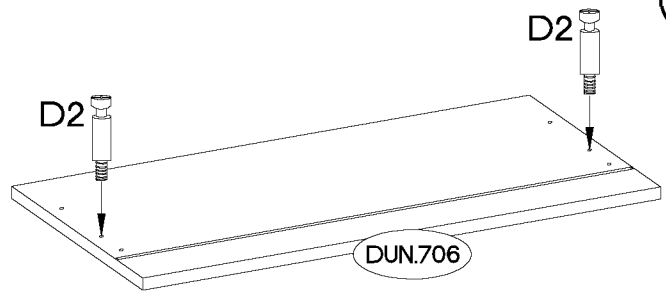


x2



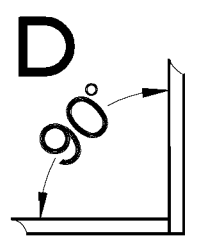
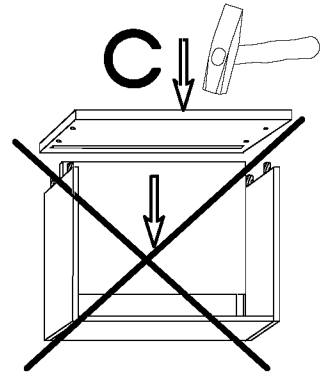
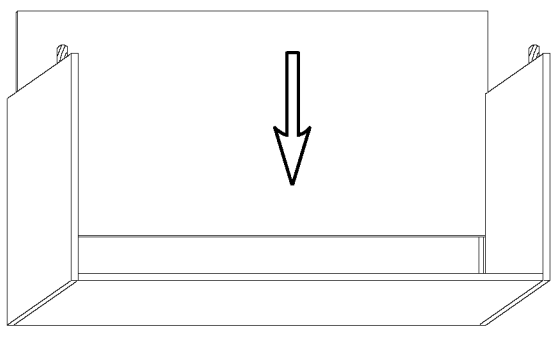
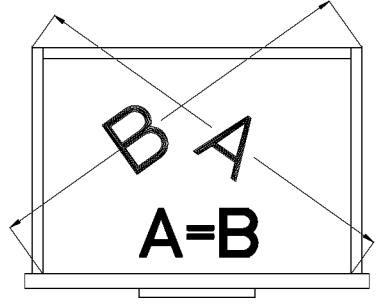
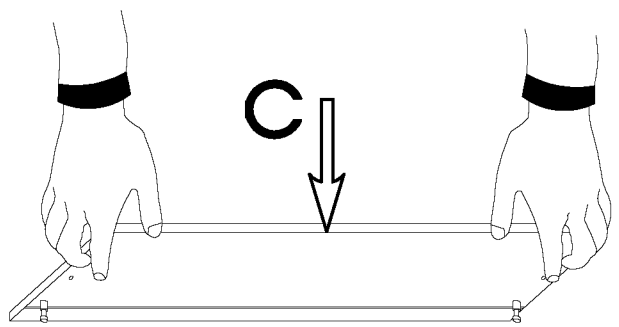
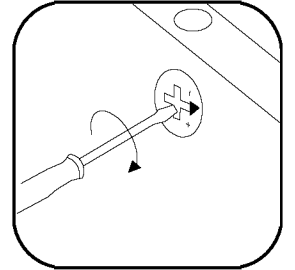
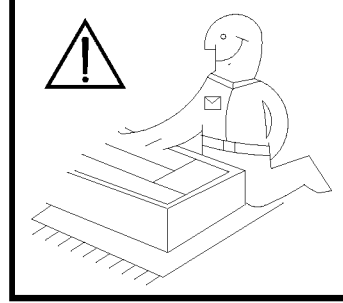
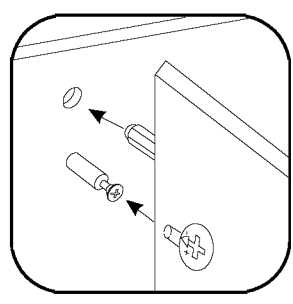
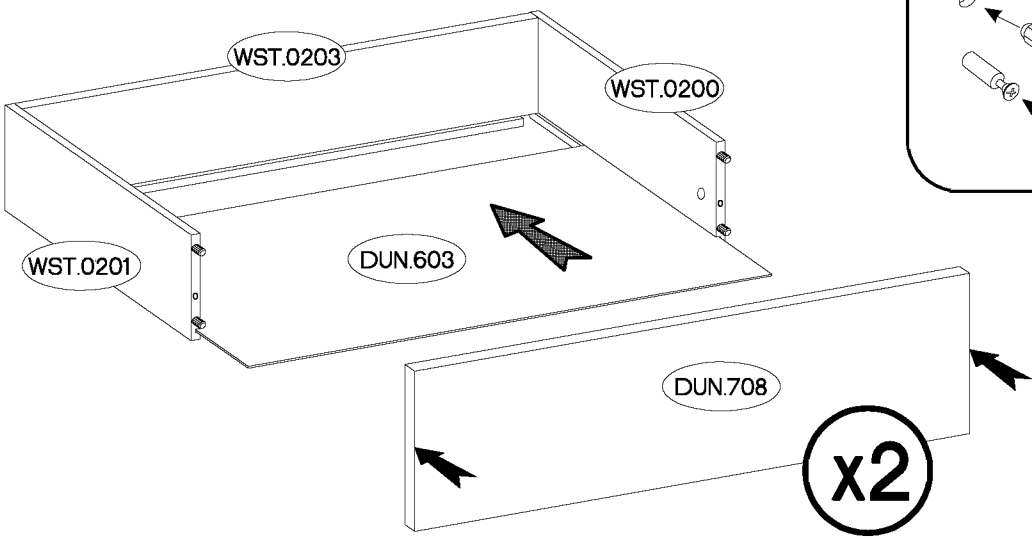
3

L=20mm  D2 4
--

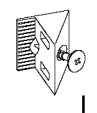
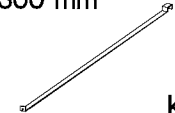



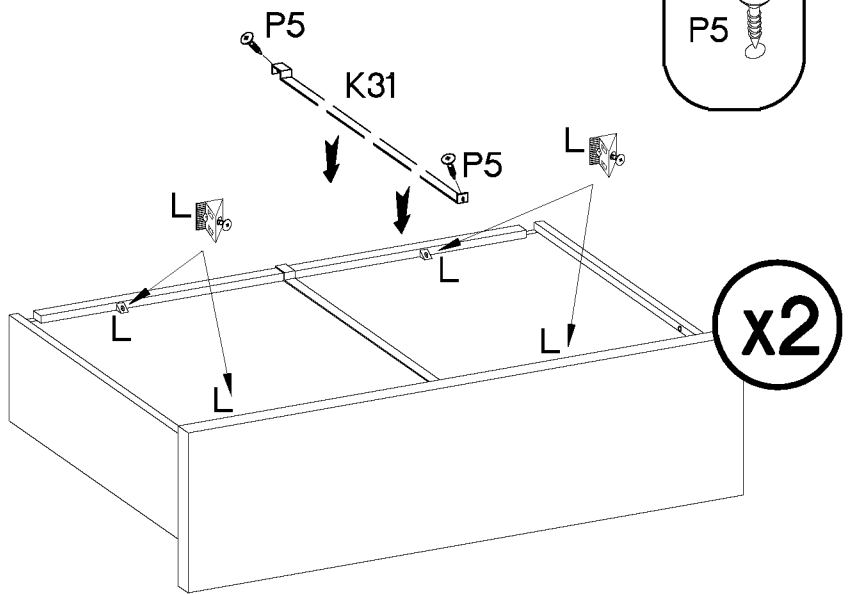
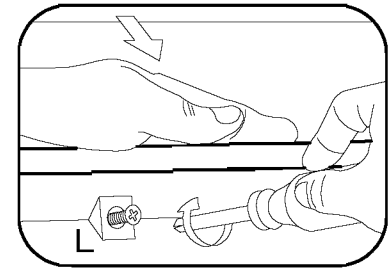
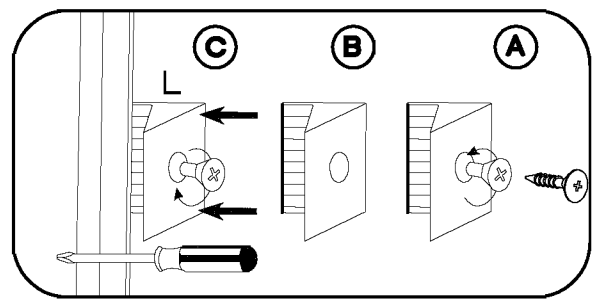
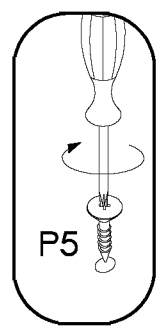
x2

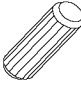
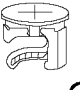

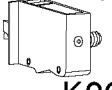
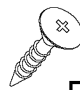
4

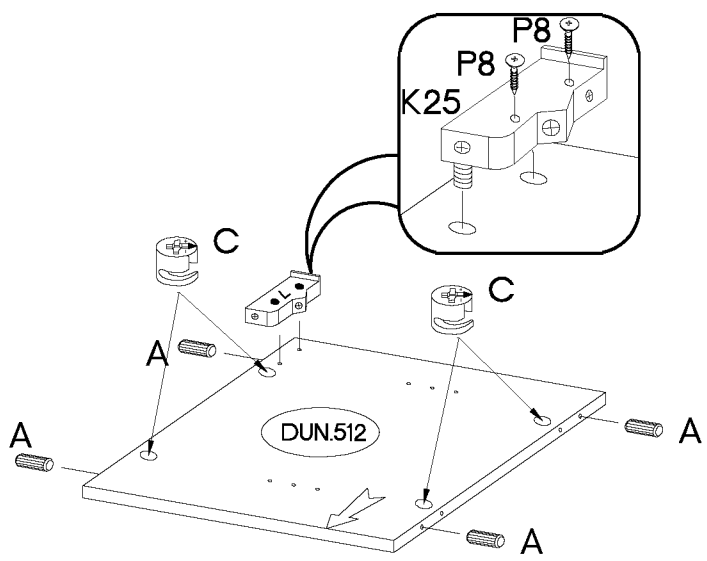
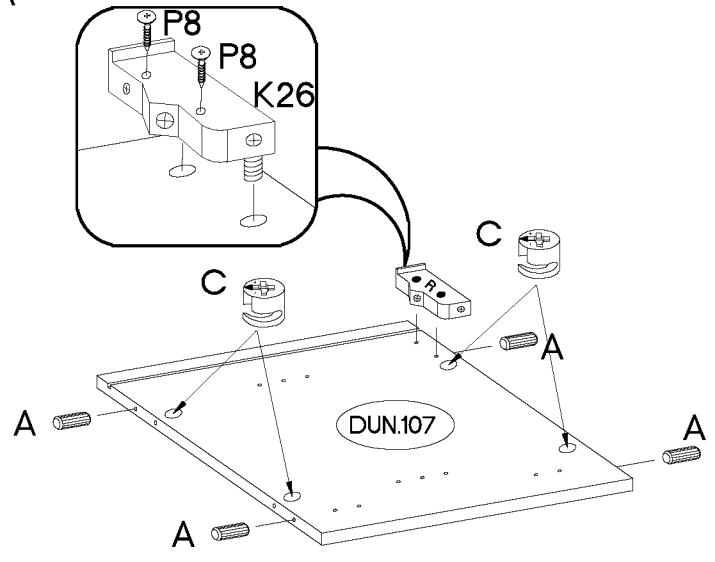
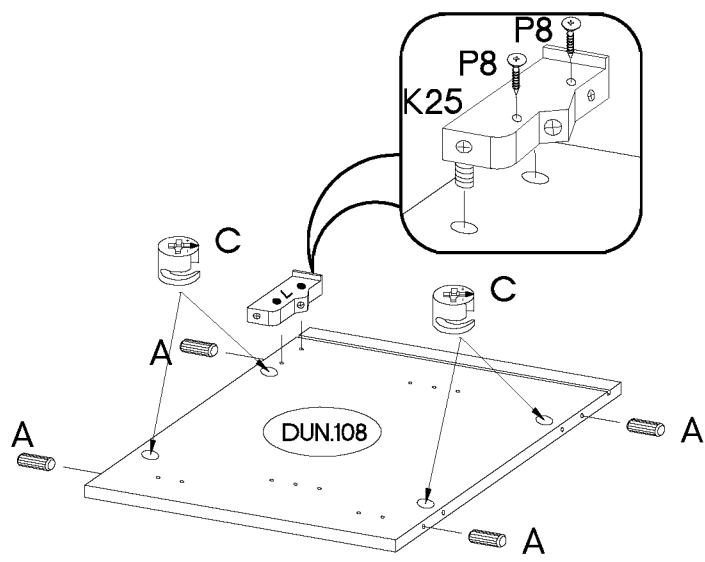
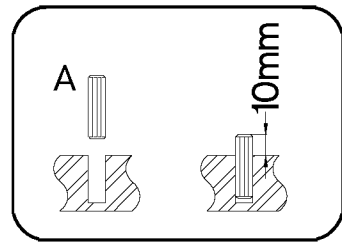
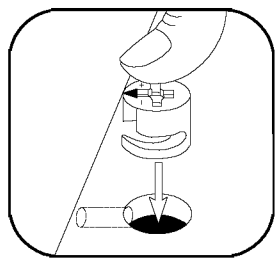
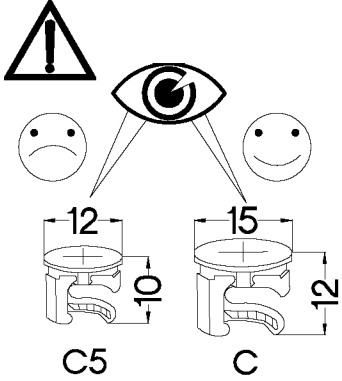
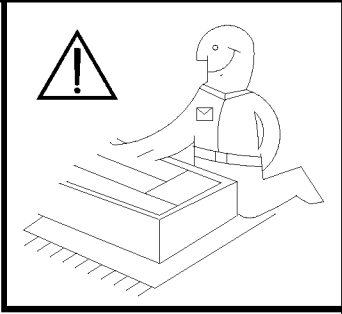



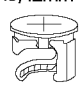
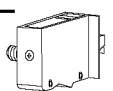
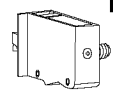
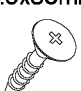
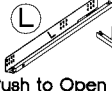
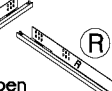

5

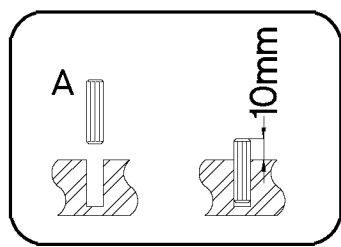
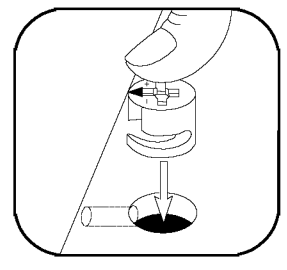
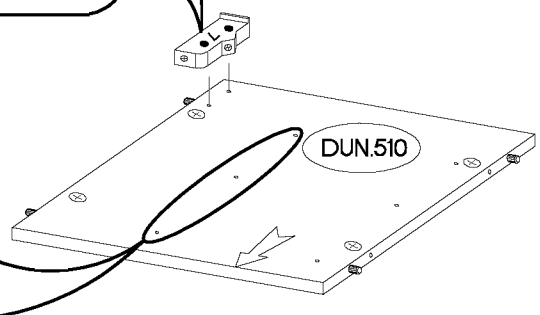
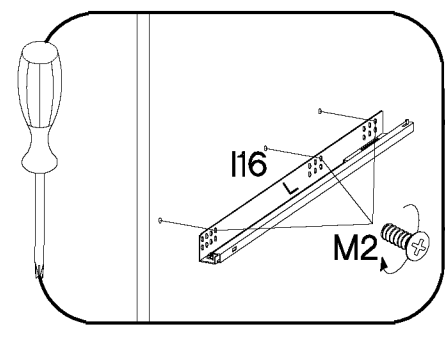
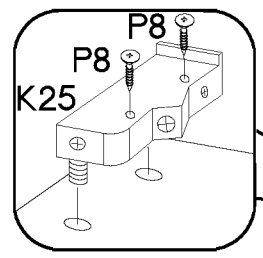
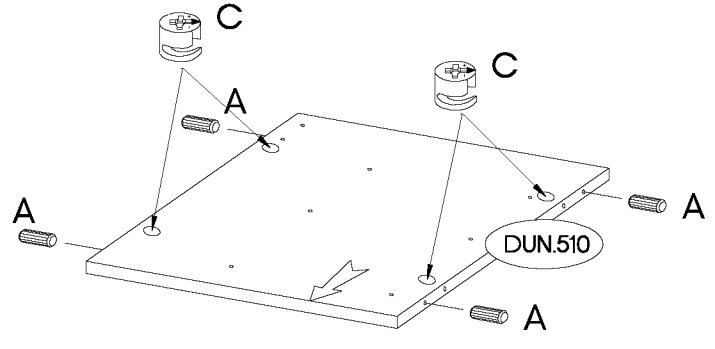
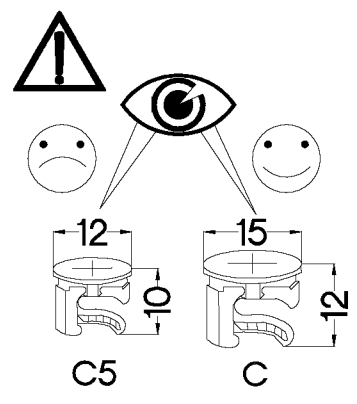
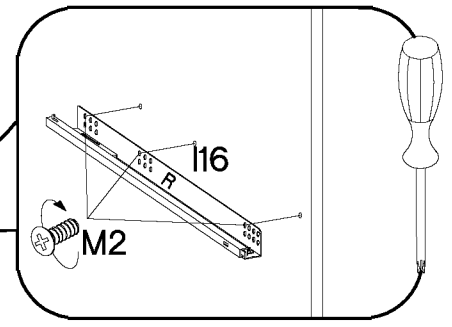
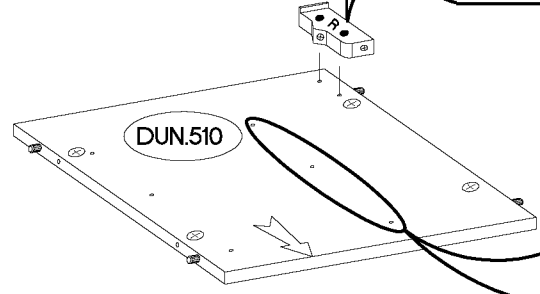
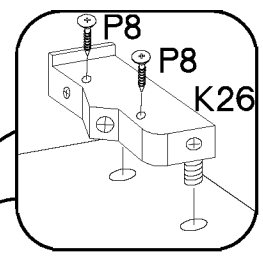
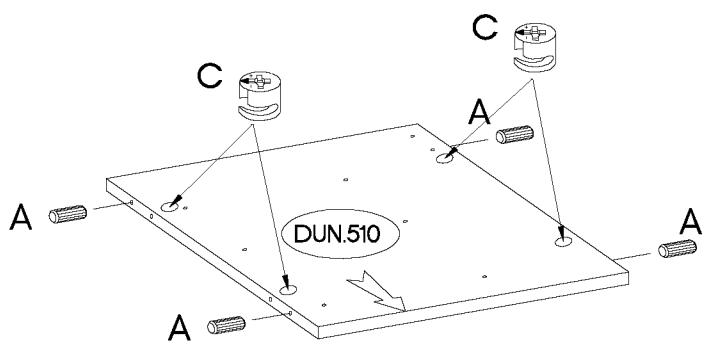
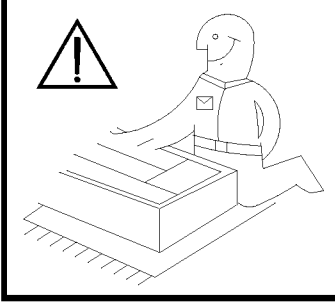
	L-300 mm		
8		2	4



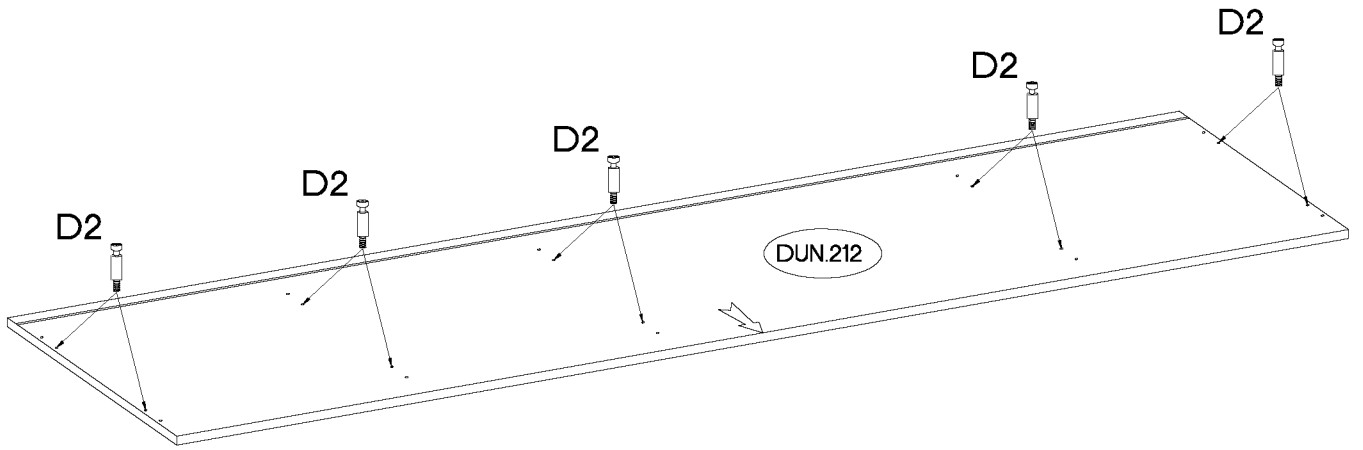
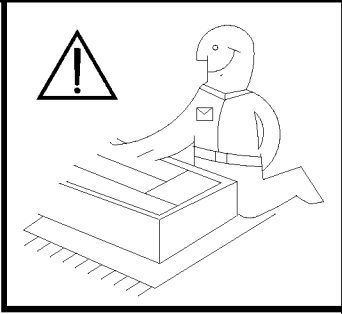
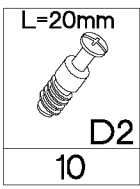
+8x30mm  A	+15/12mm  C	L  K25	R  K26	+4.0x30mm  P8
12	12	2	1	6



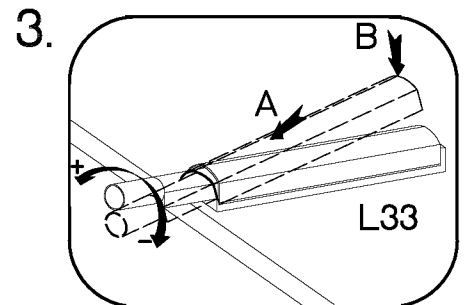
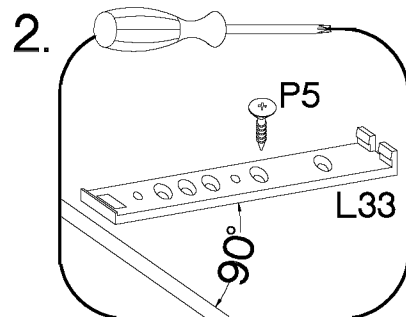
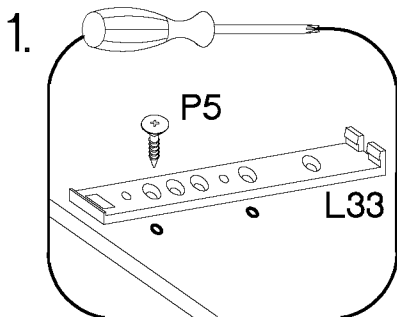
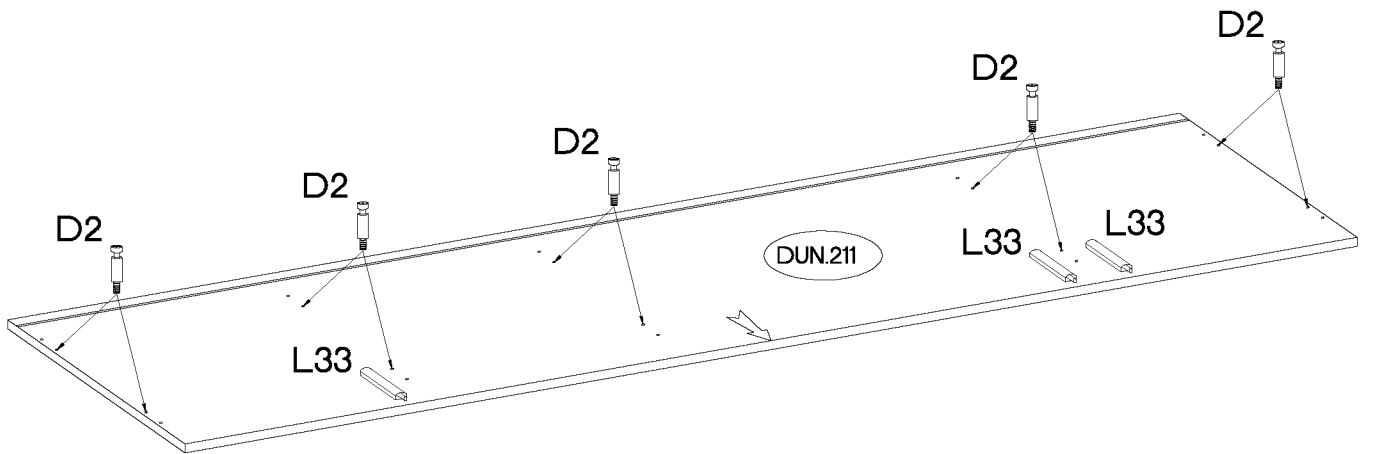
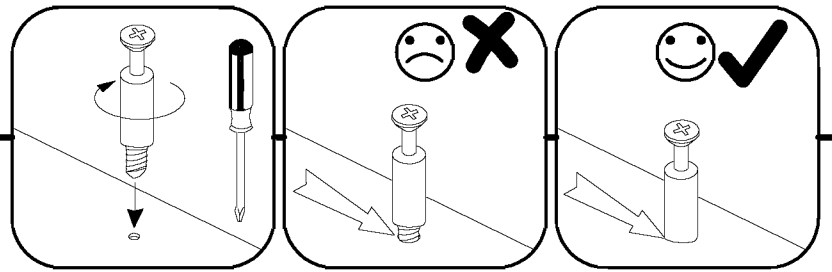
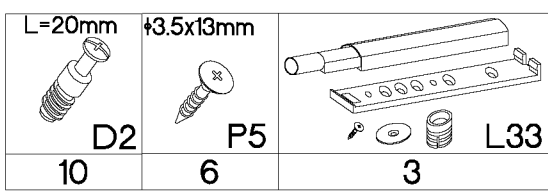
+8x30mm  A 8	+15/12mm  C 8	L  K25 1	R  K26 1	+4.0x30mm  P8 4	Push to Open L=300mm  L  R I16 1	+6.3x13mm  M2 6
---	--	---	---	--	--	--



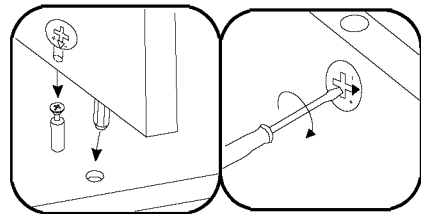
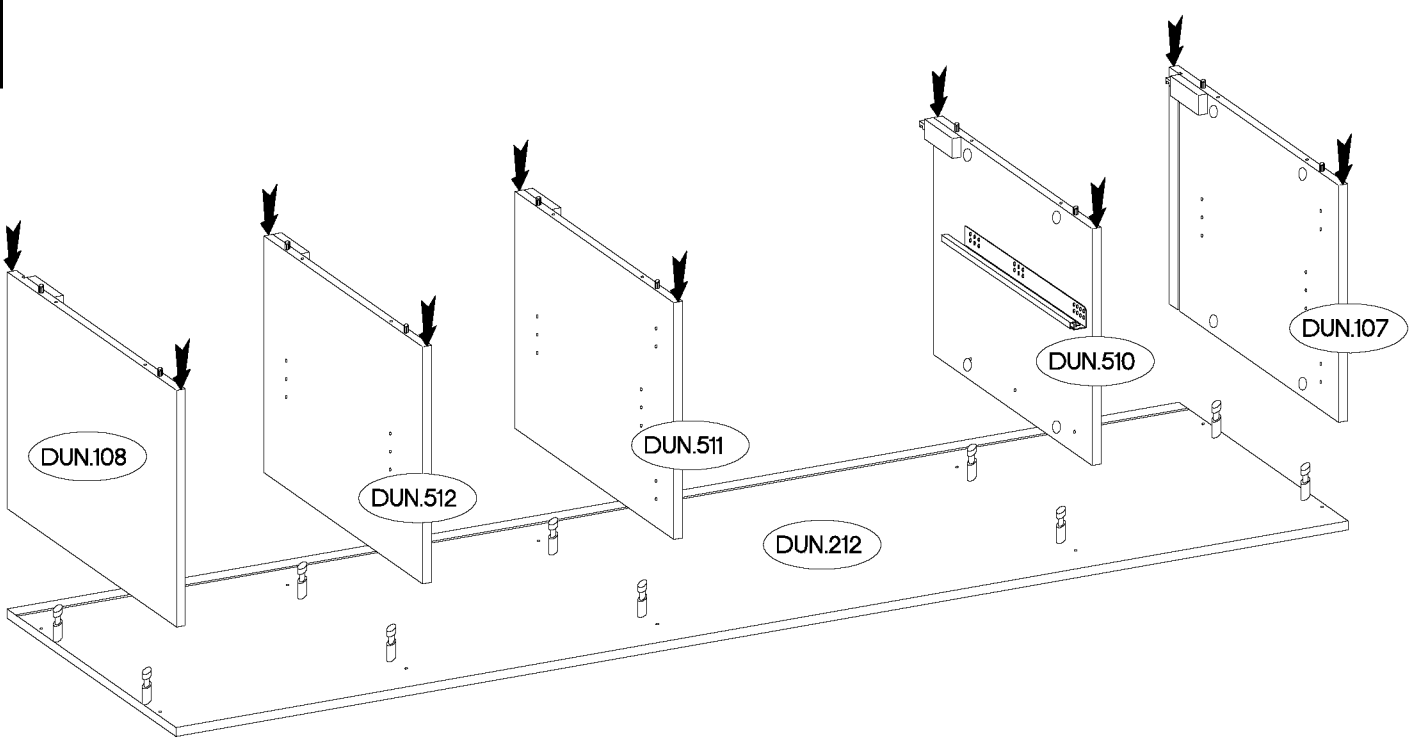
8



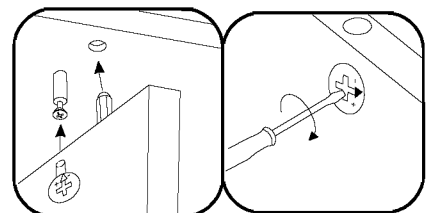
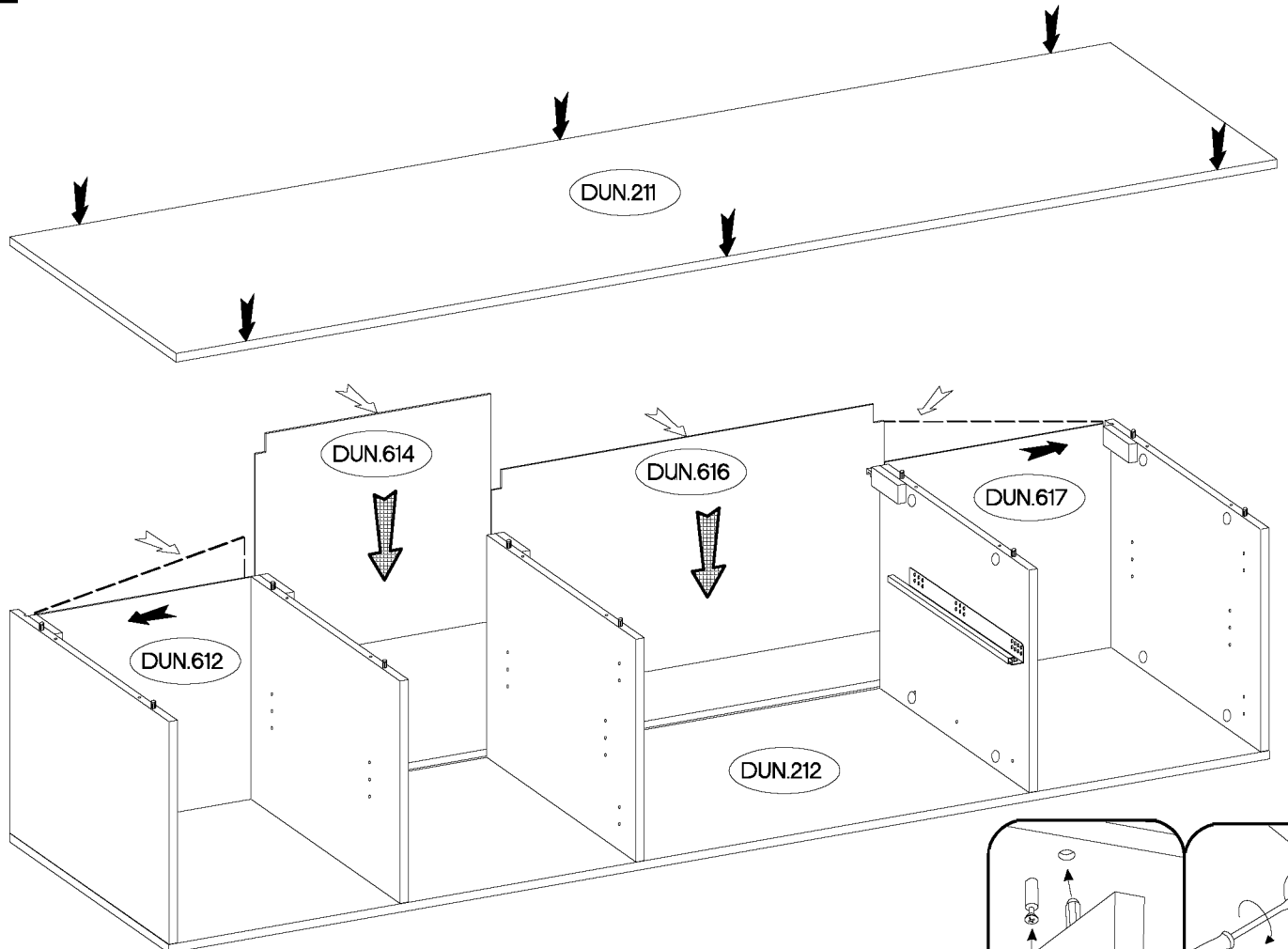
9



10

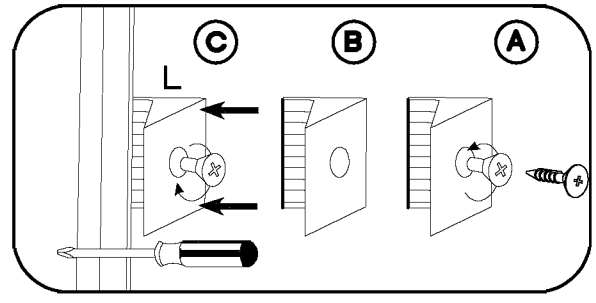
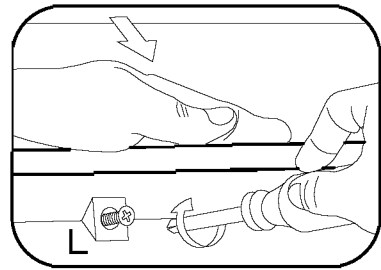
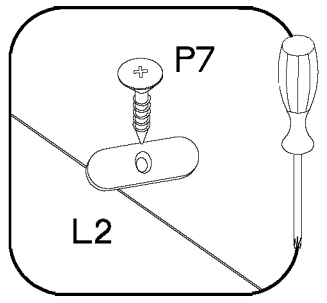
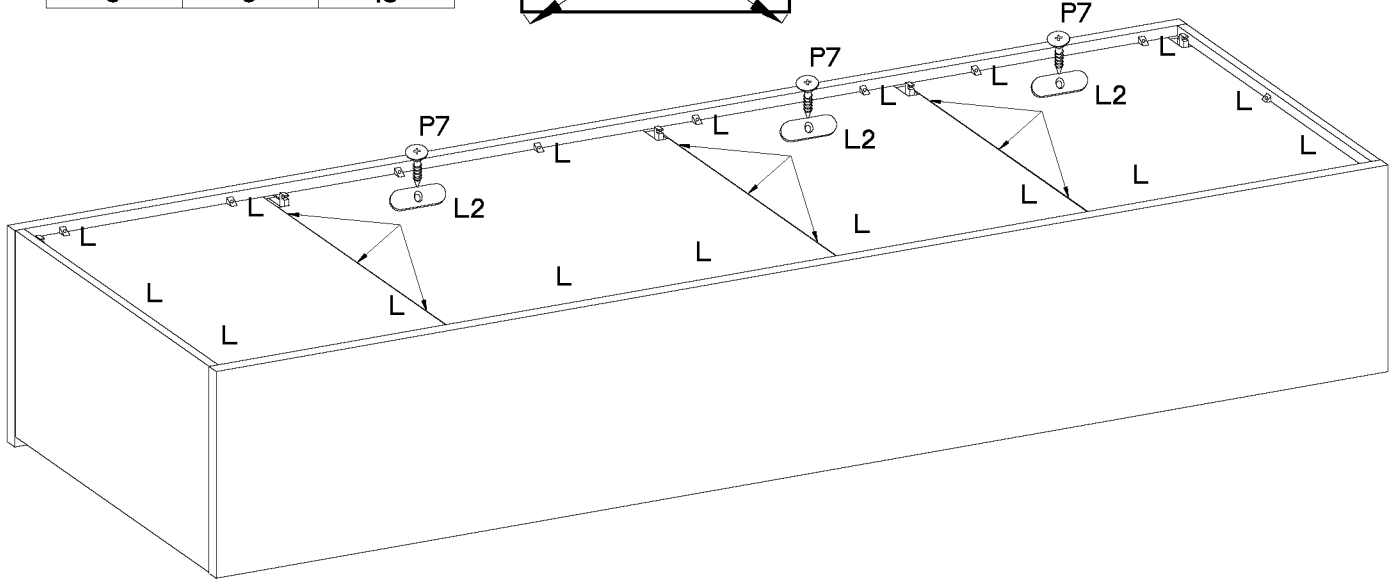
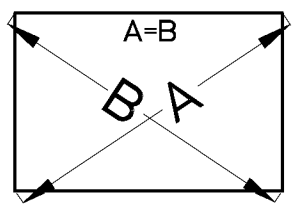


11



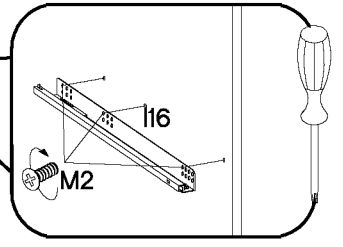
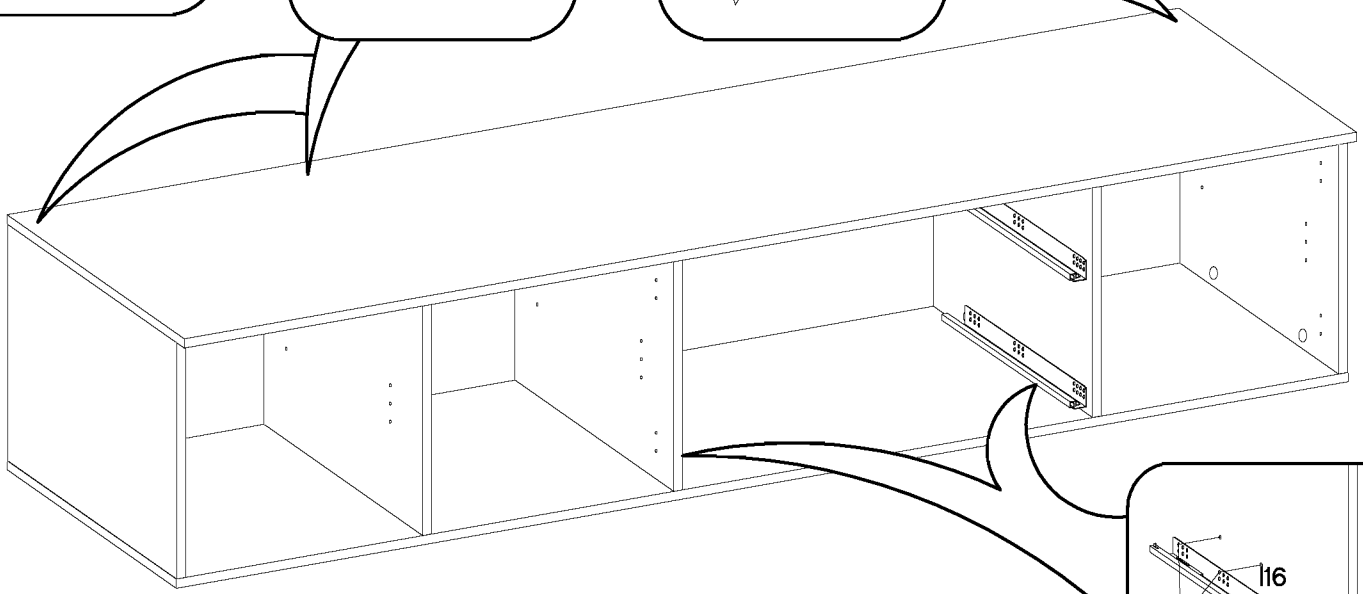
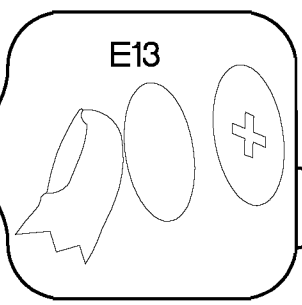
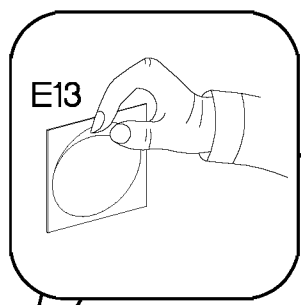
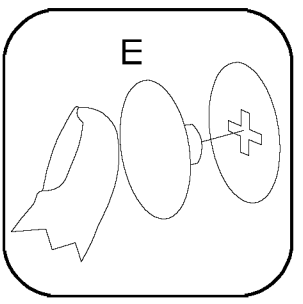
12

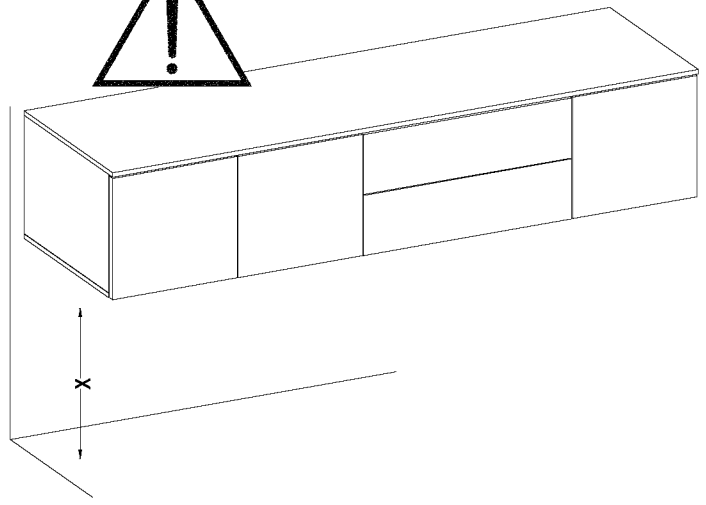
 P7 9	 L2 9	 L 18
-------------	-------------	-------------



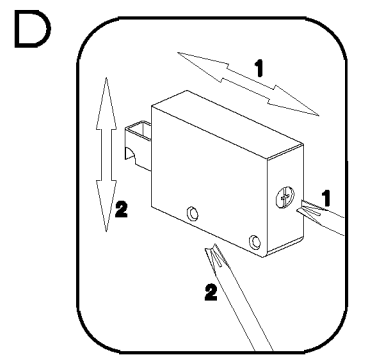
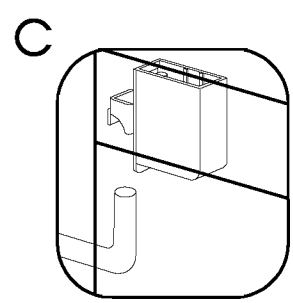
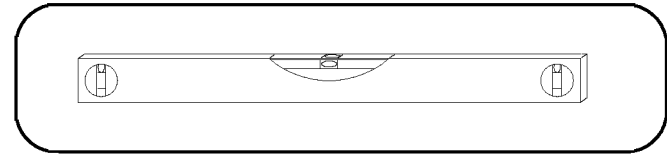
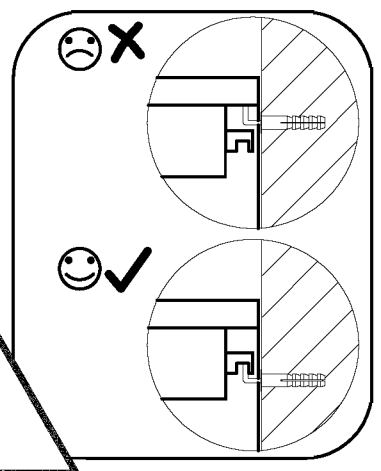
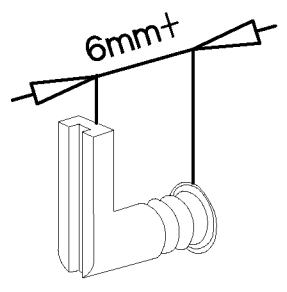
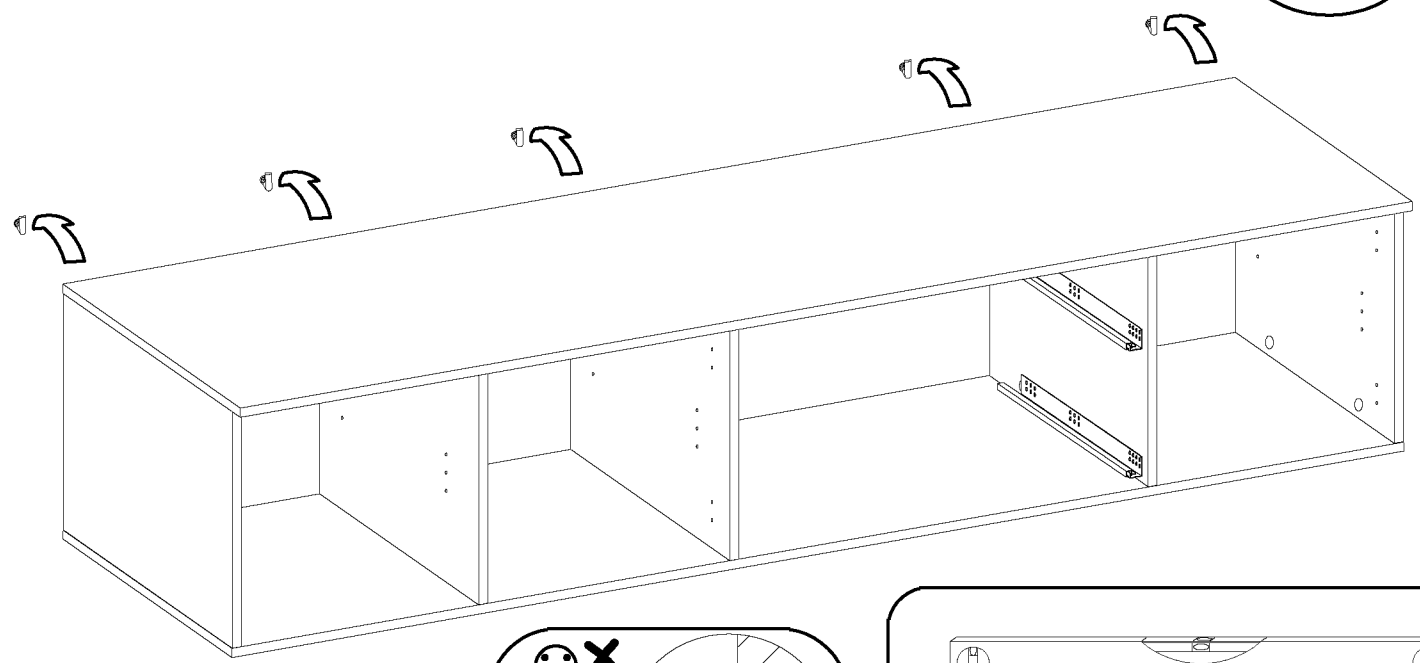
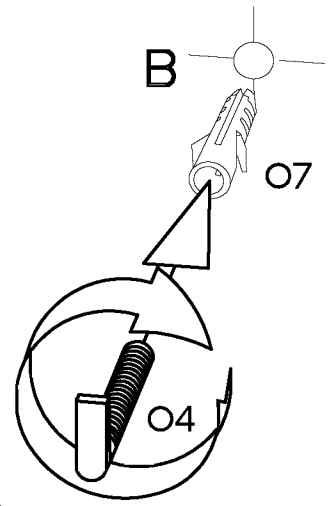
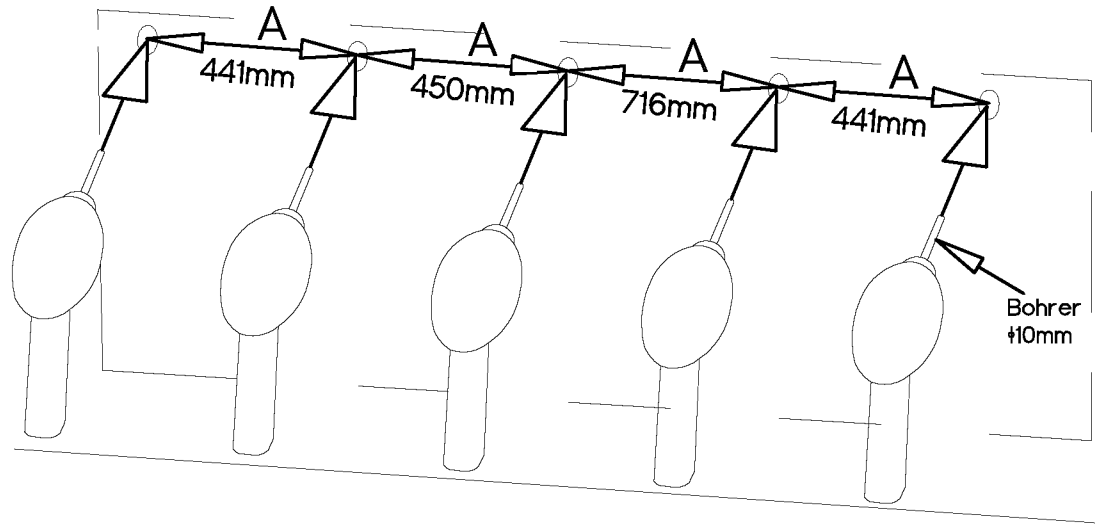
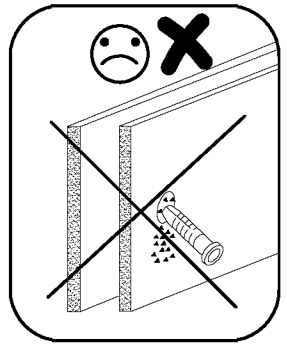
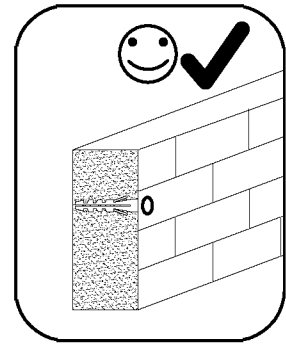
13

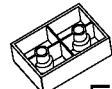
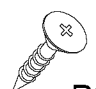
 L Push to Open L=300mm 1	 R 16	 M2 6
 E13 5	 E 9	 +6.3x13mm

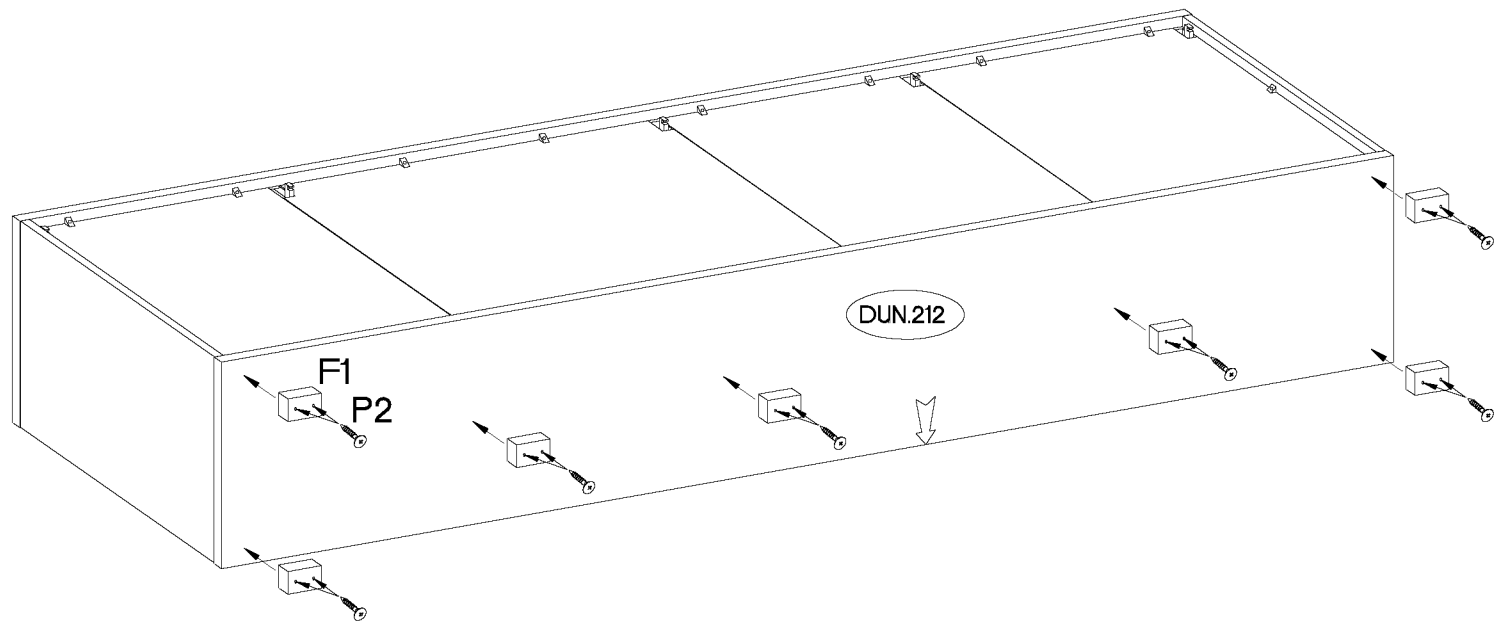
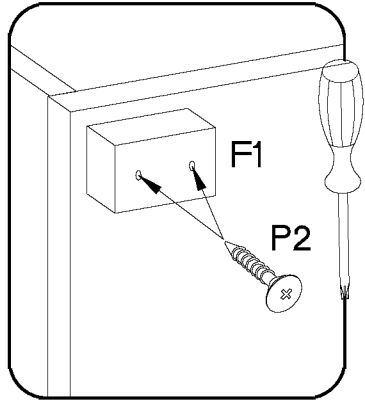
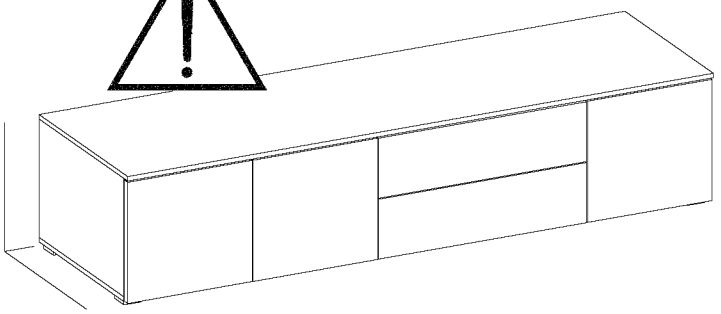




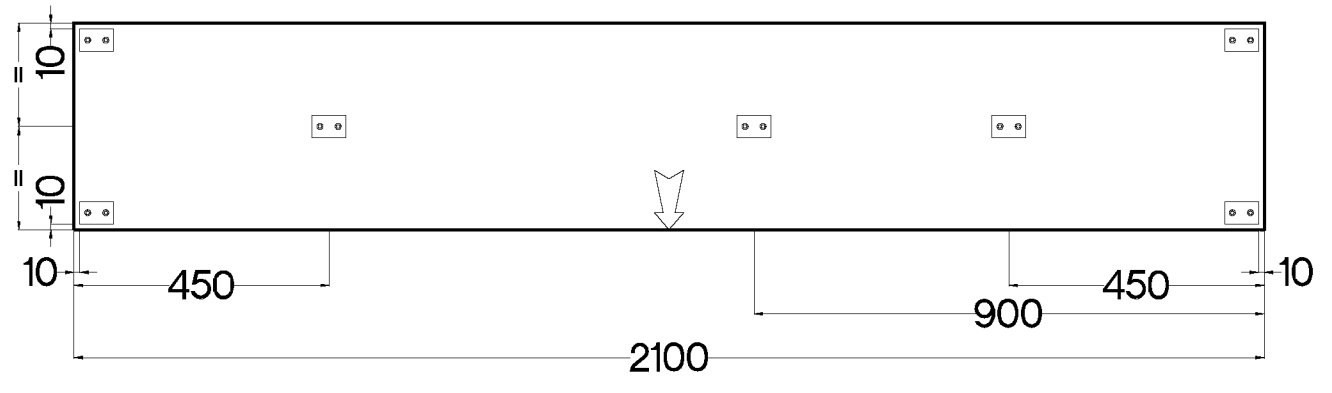
<p>Ø10x50mm</p> <p>Ø7</p> <p>5</p>	<p>6,5/68mm</p> <p>Ø4</p> <p>5</p>
------------------------------------	------------------------------------



60x40x20	+4.0x20mm
	
F1	P2
7	14

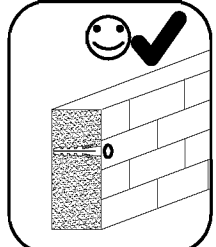
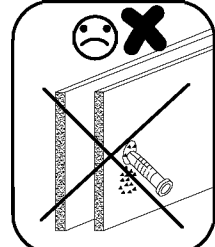
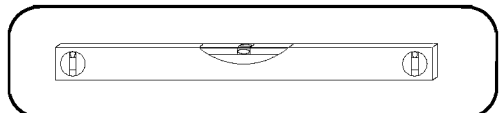
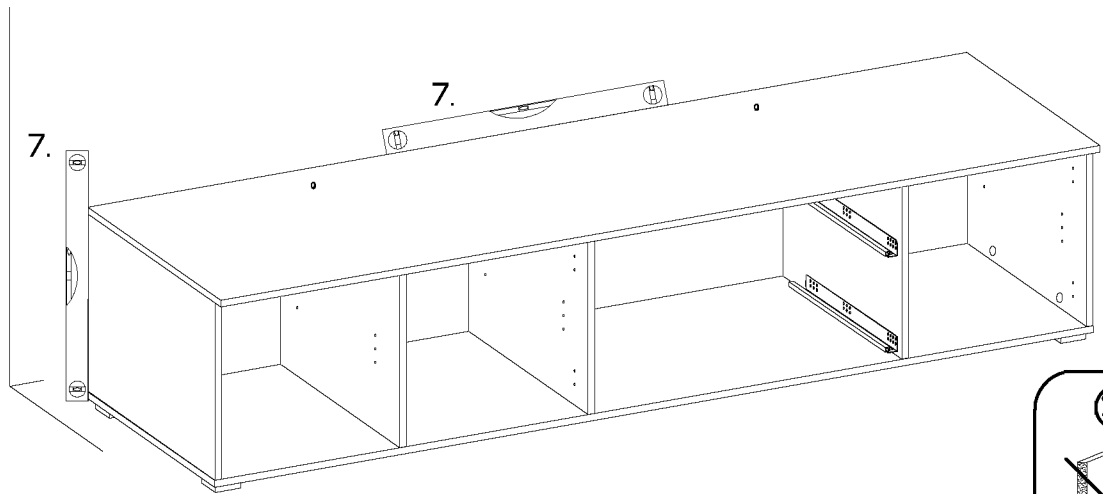
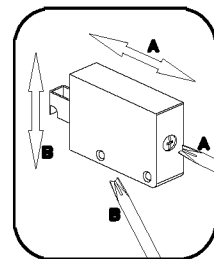
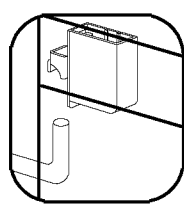
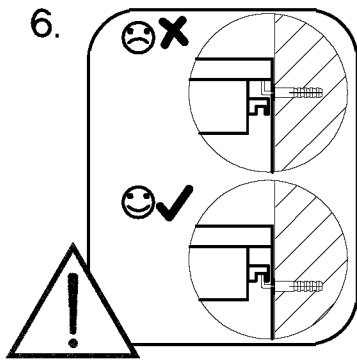
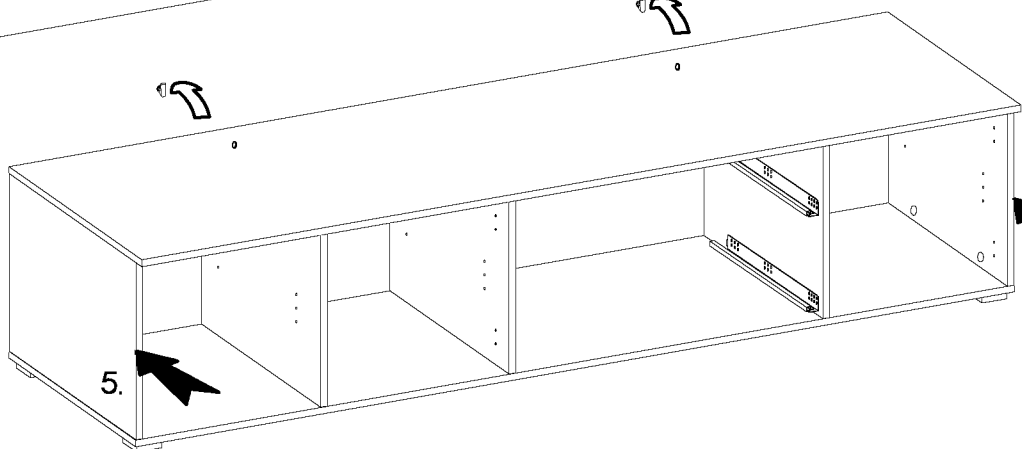
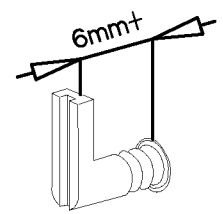
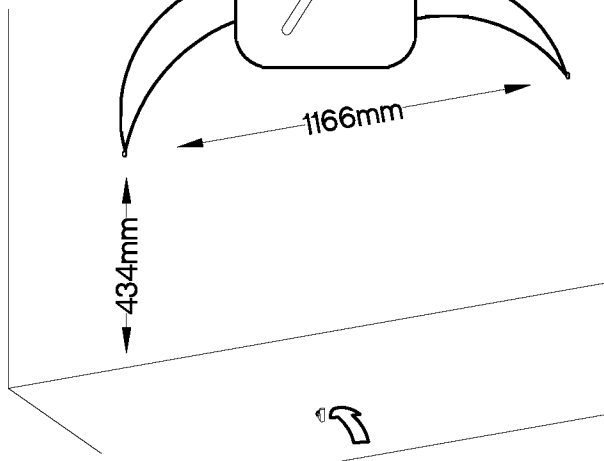
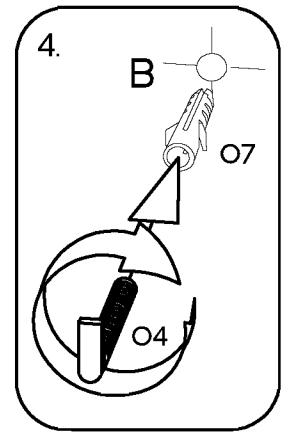
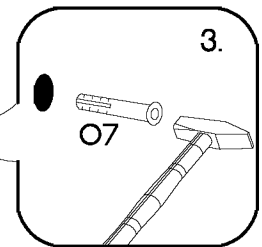
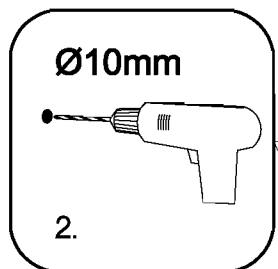
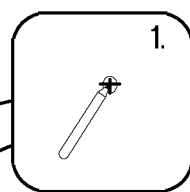
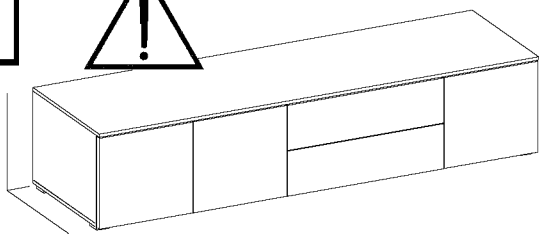


DUN.212

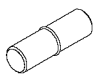


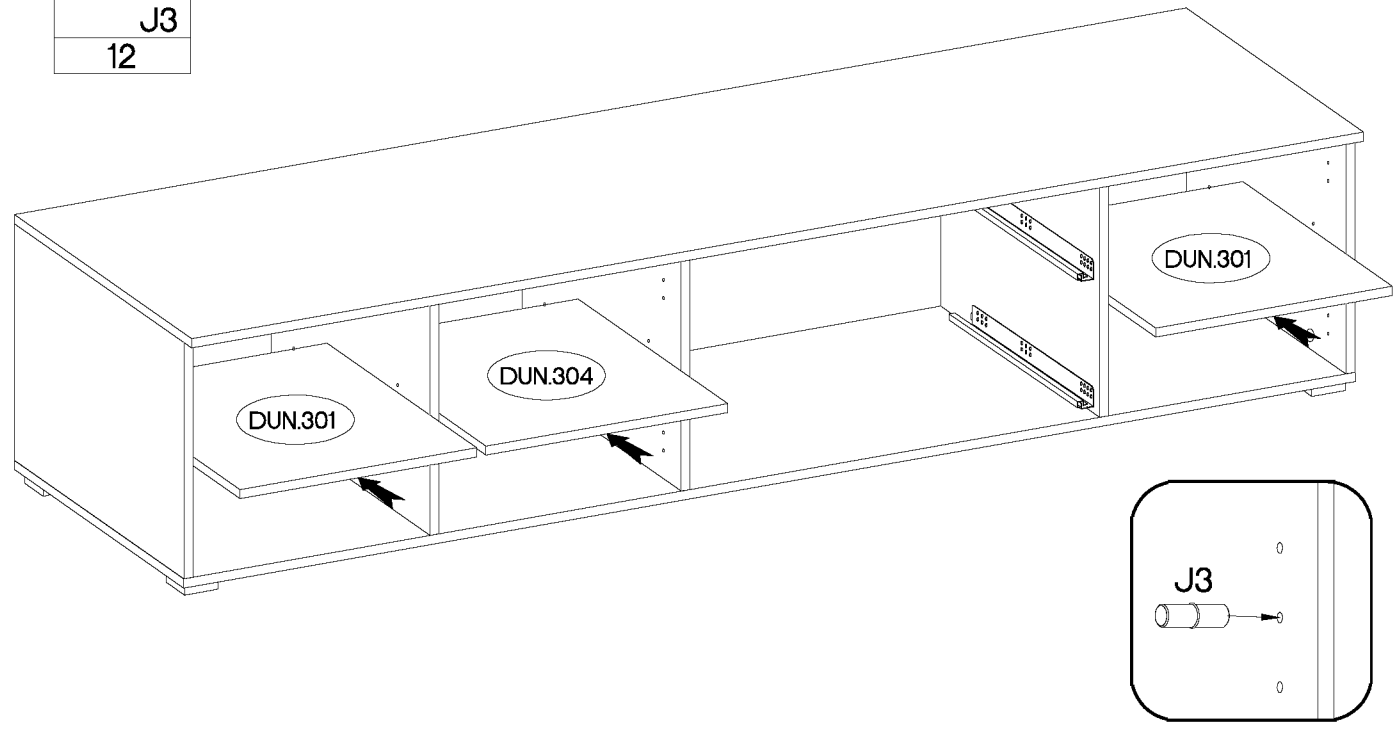


†10x50mm	6,5/68mm
O7	O4
2	2

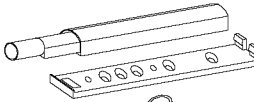






17

±5/16mm

J3
12



18

±35/0mm	±35/9mm	±3.5x13mm	
			
HG	HG1	P5	L33
4	2	12	3

