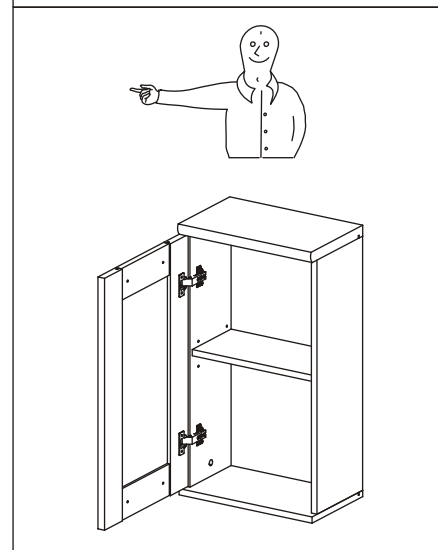
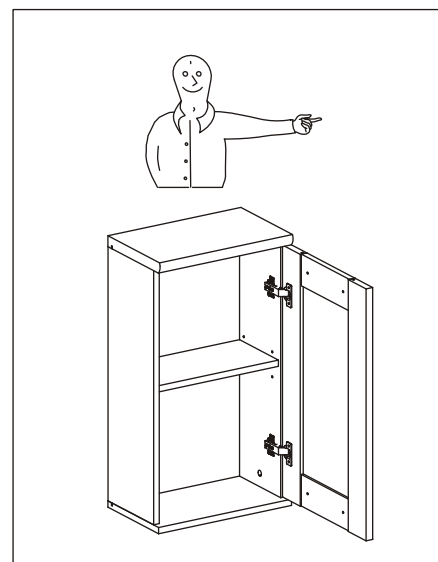
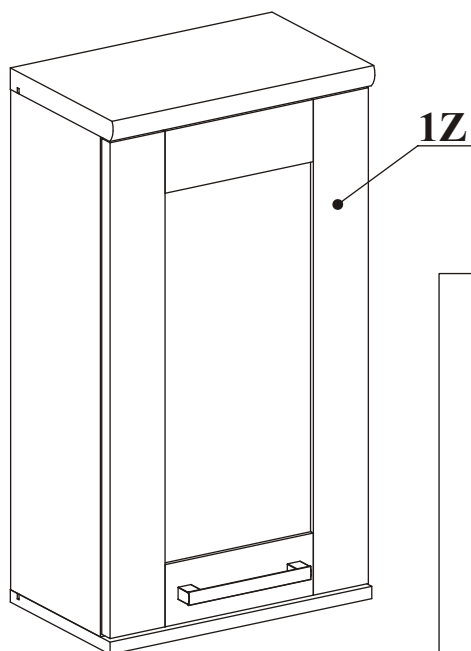
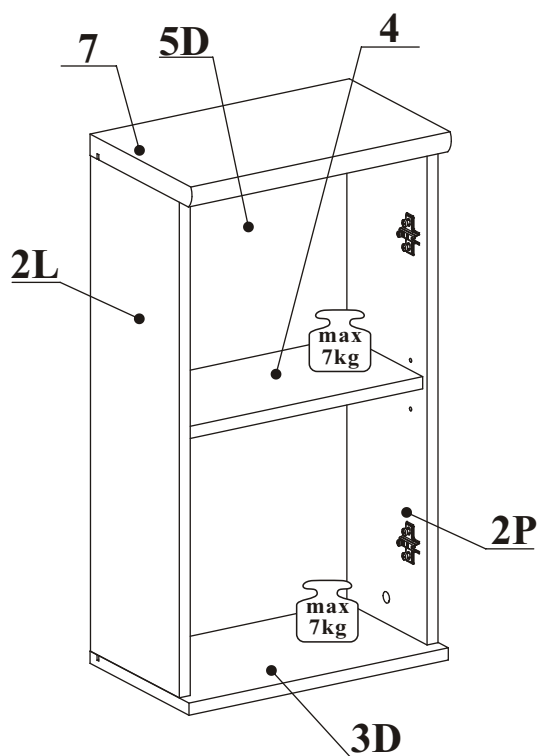
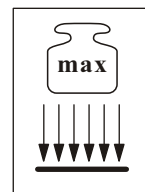
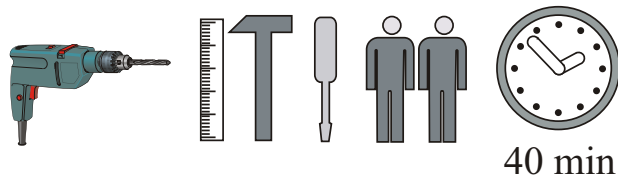


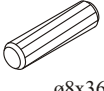
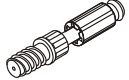


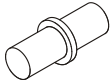

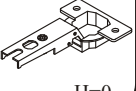
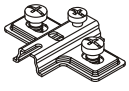

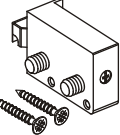
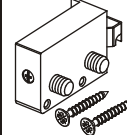
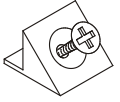
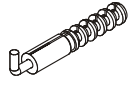
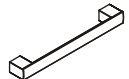


# ROMANCE 71-356-\_\_-6

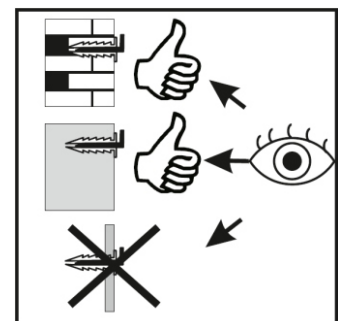
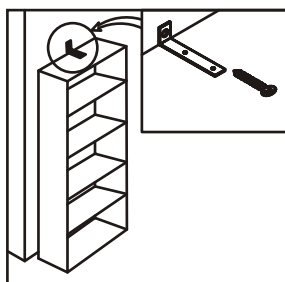
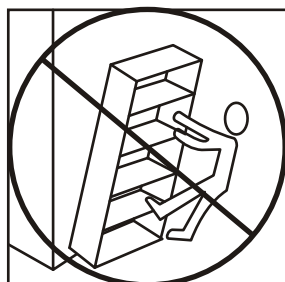
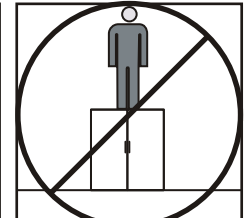
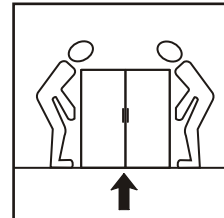
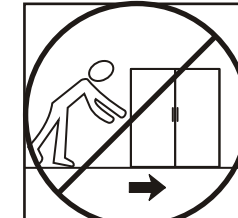
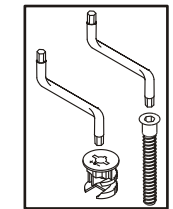
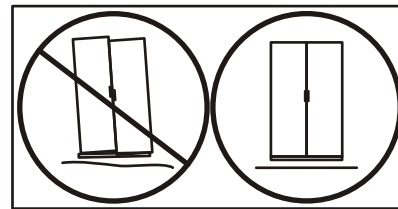
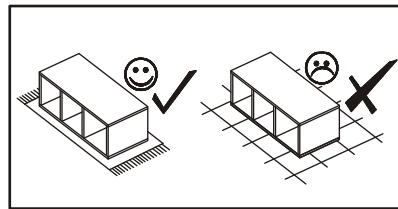
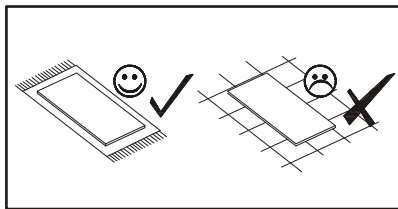
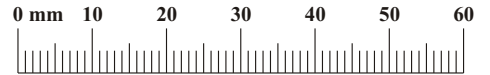


NO	Dim.		Col.-No	Qty
1Z	646	376	1	1
2L	652	205	1	1
2P	652	205	1	1
3D	381	228	1	1
4	348	175	1	1
5D	664	360	1	1
7	381	235	1	1

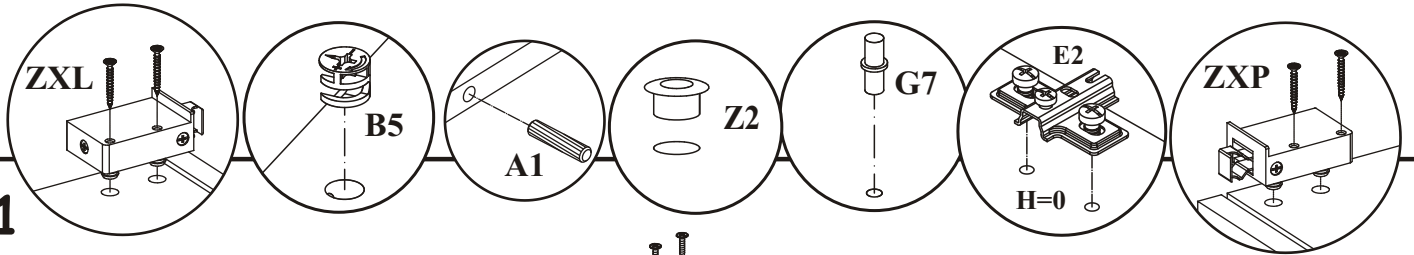
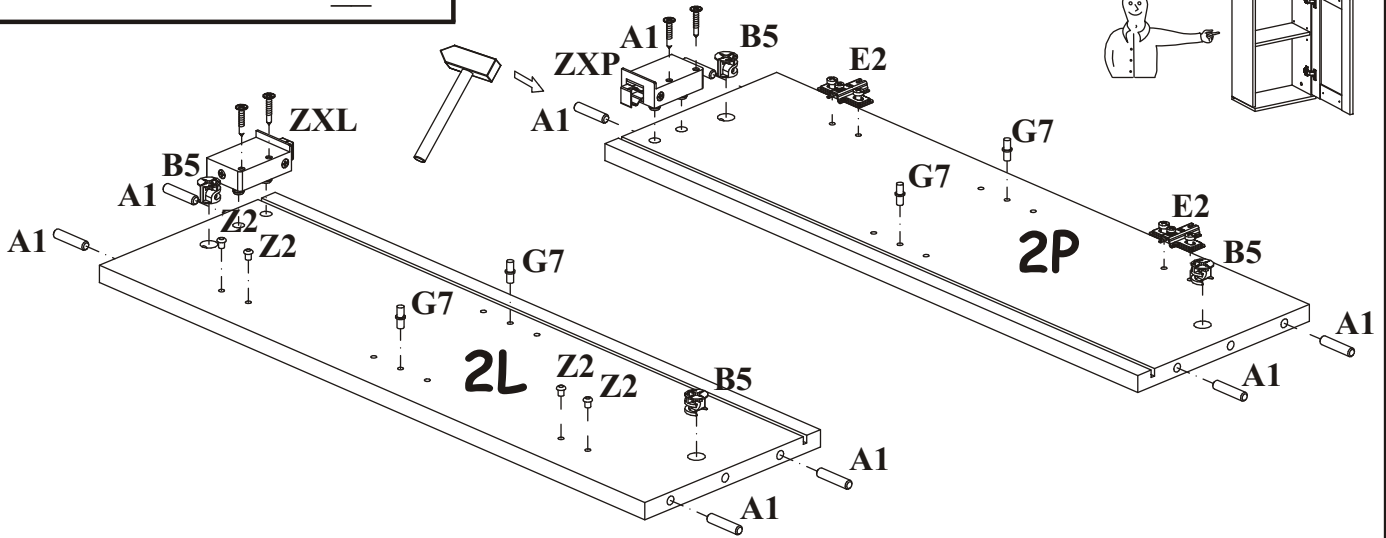


40 min

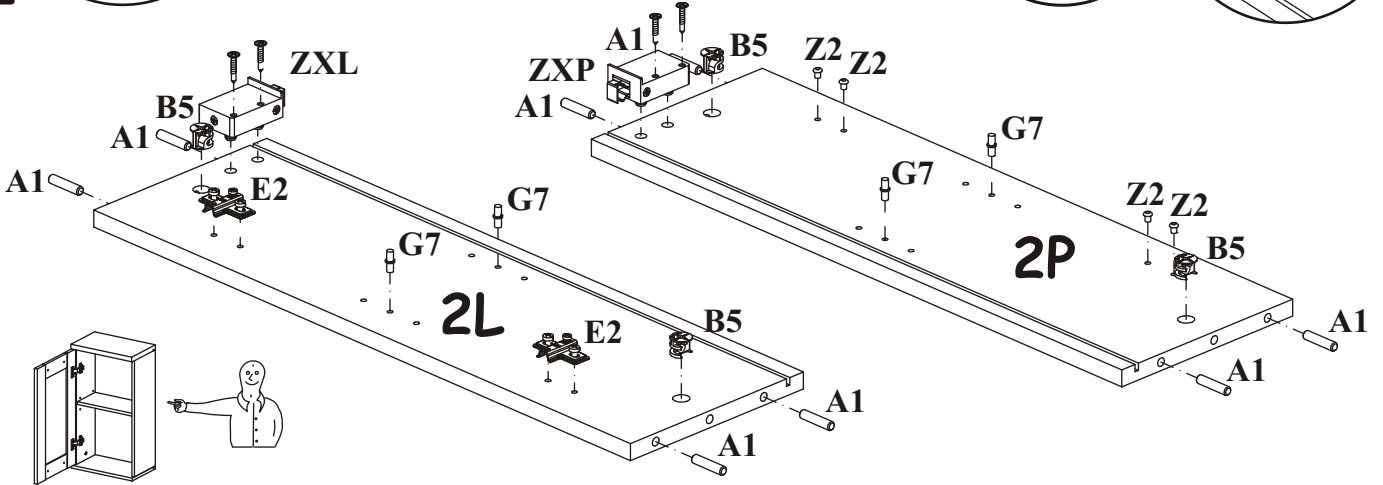
A1 x8  ø8x36	B4 x4 	B5 x4  ø15x12	G5 x4 	G7 x4 	Z2 x6  Ø5
E21 x2 Ø35 H=0 	E2 x2 H=0 	D10 x4 USØ3,5x13 	ZXL x1 	ZXP x1 	S1 x6 
KR2 x2 	CN1 x1 L=160mm 	UP16 x2 UPØ4x35 	G2 x1 		



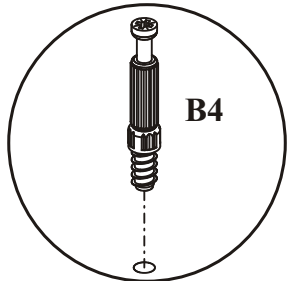
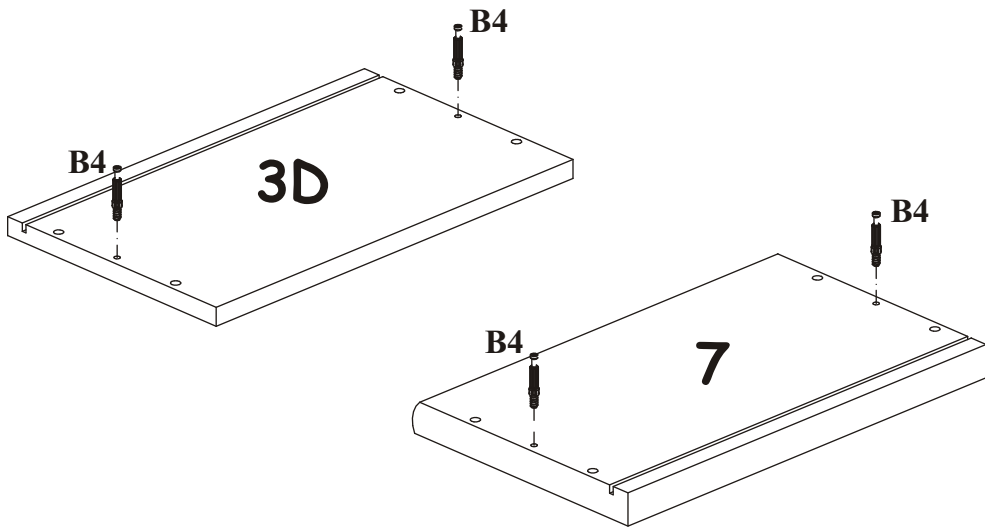
1



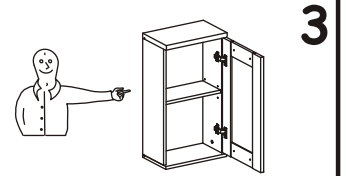
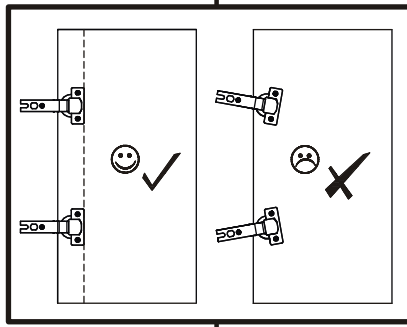
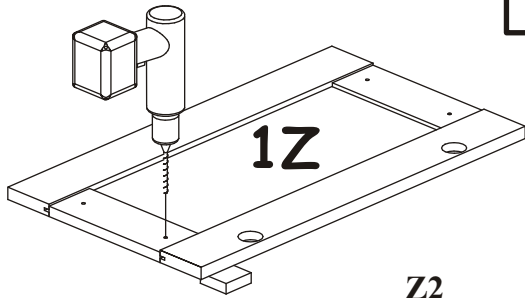
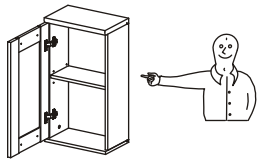
1



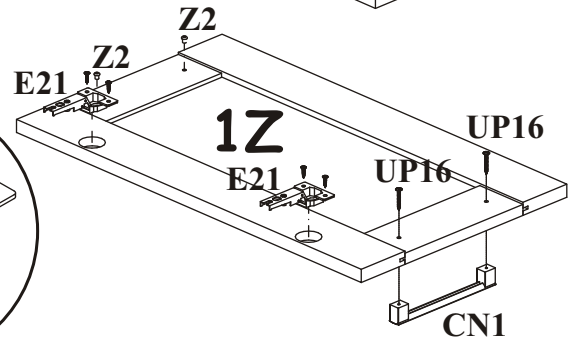
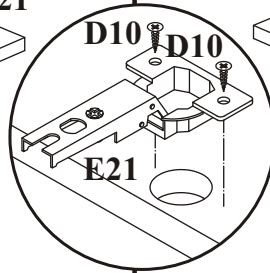
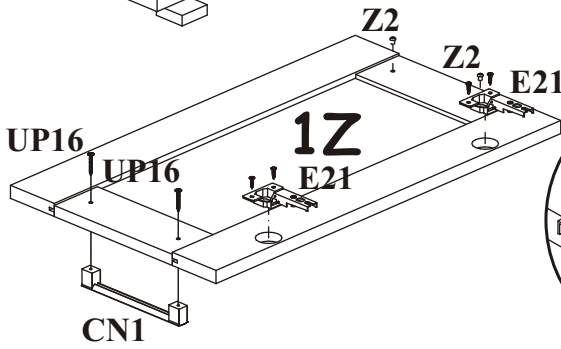
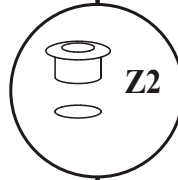
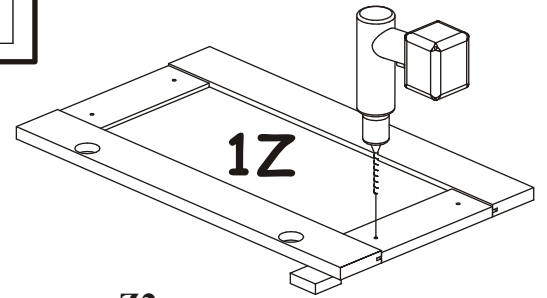
2



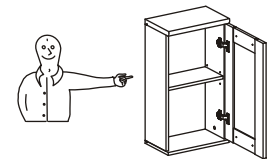
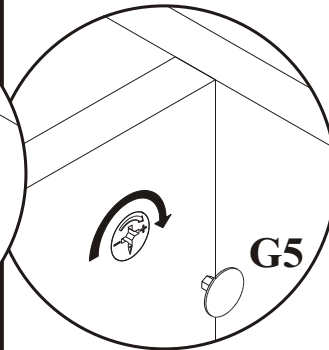
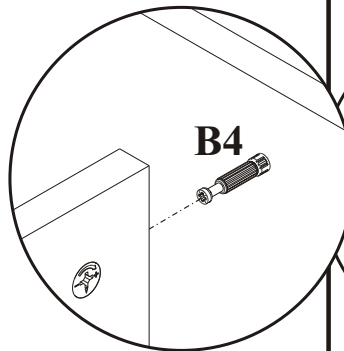
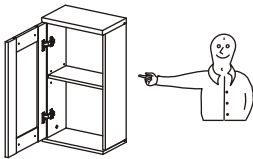
3



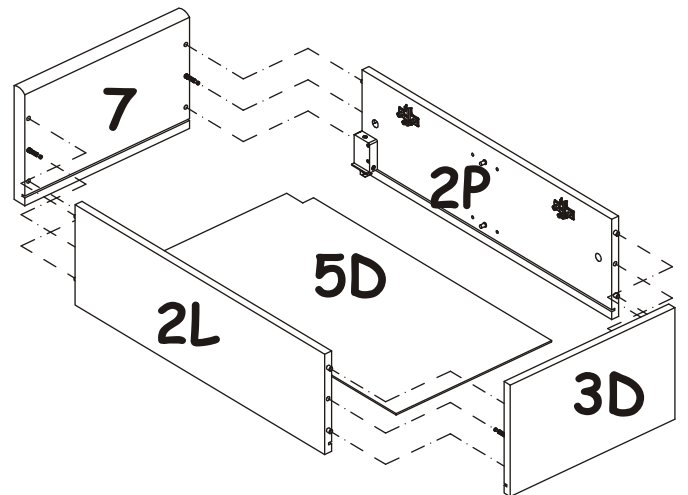
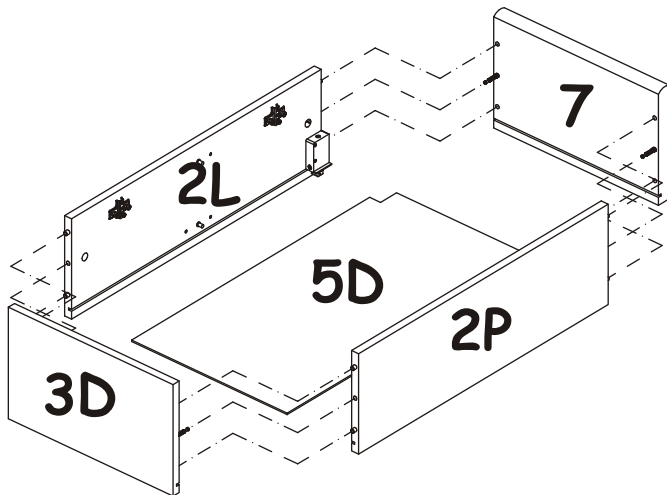
3



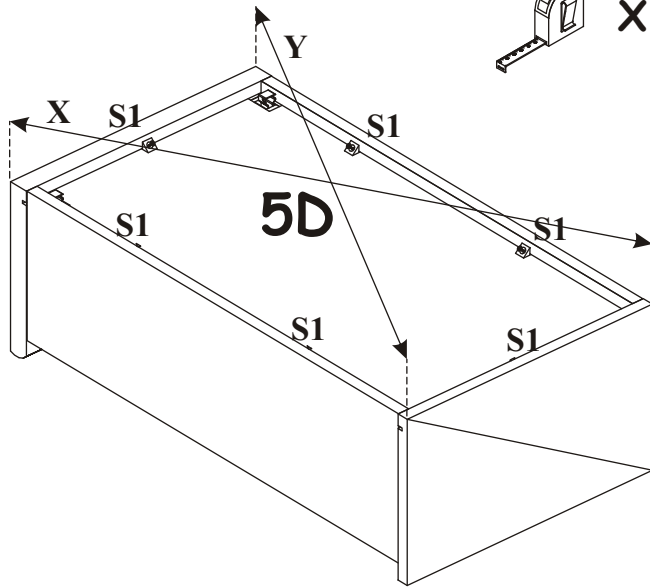
4



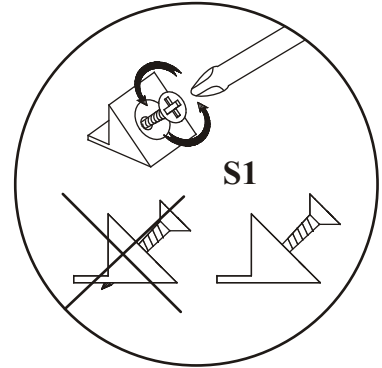
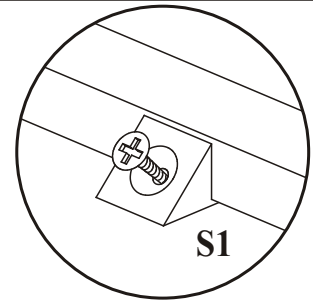
4



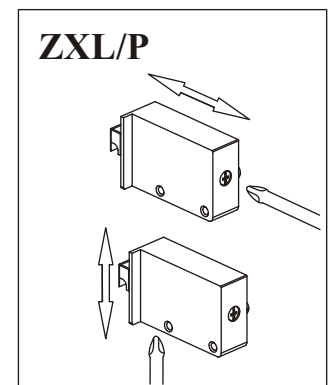
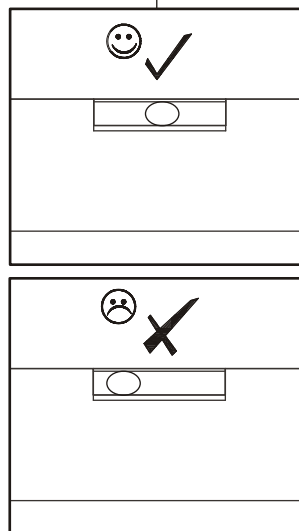
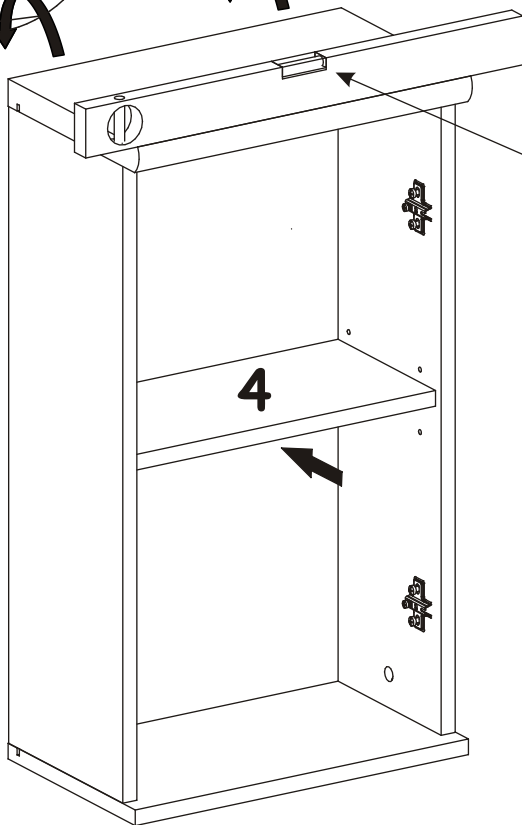
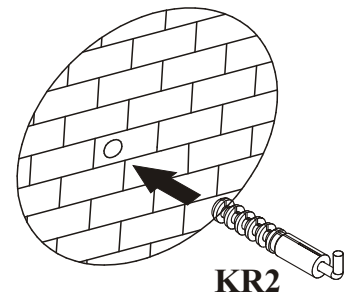
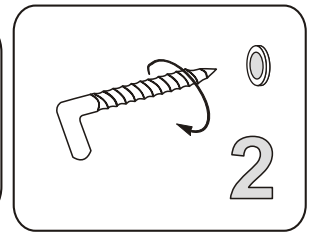
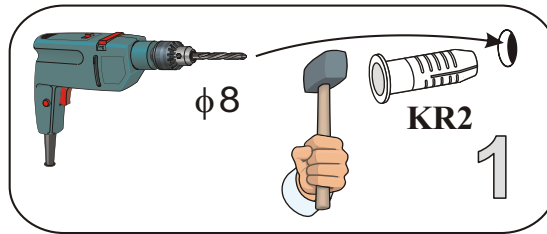
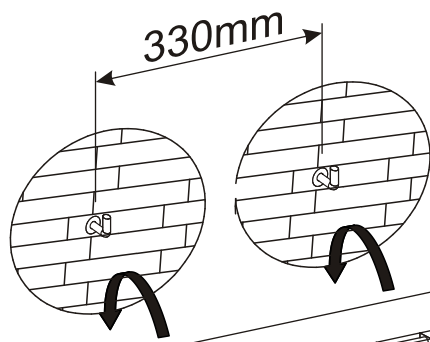
5



X=Y 90°



6



7

