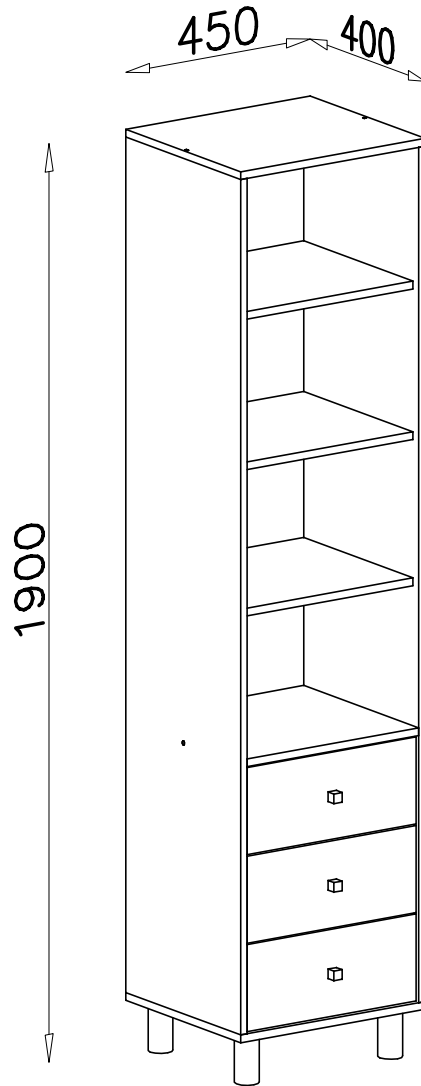
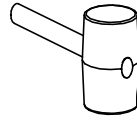
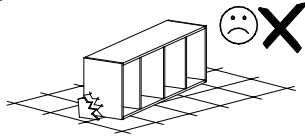
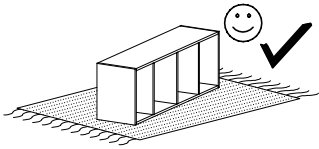

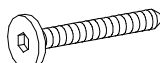


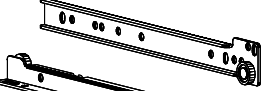
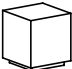

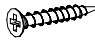
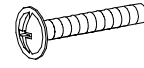



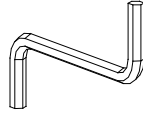
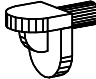

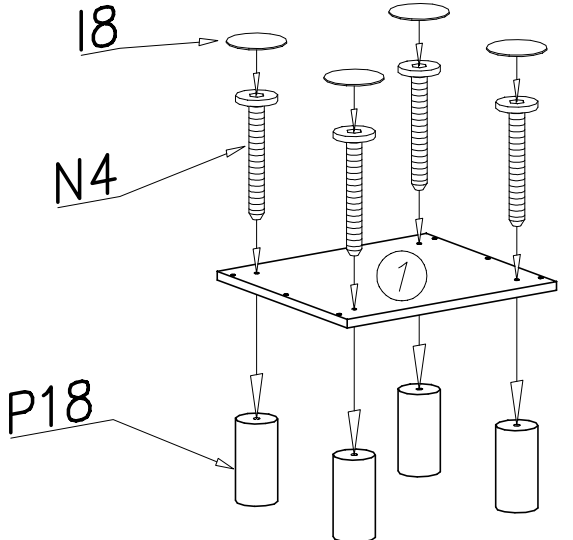
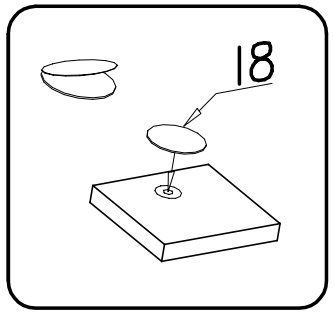
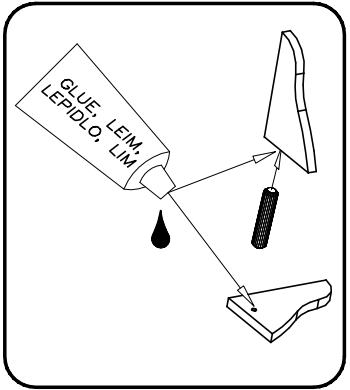
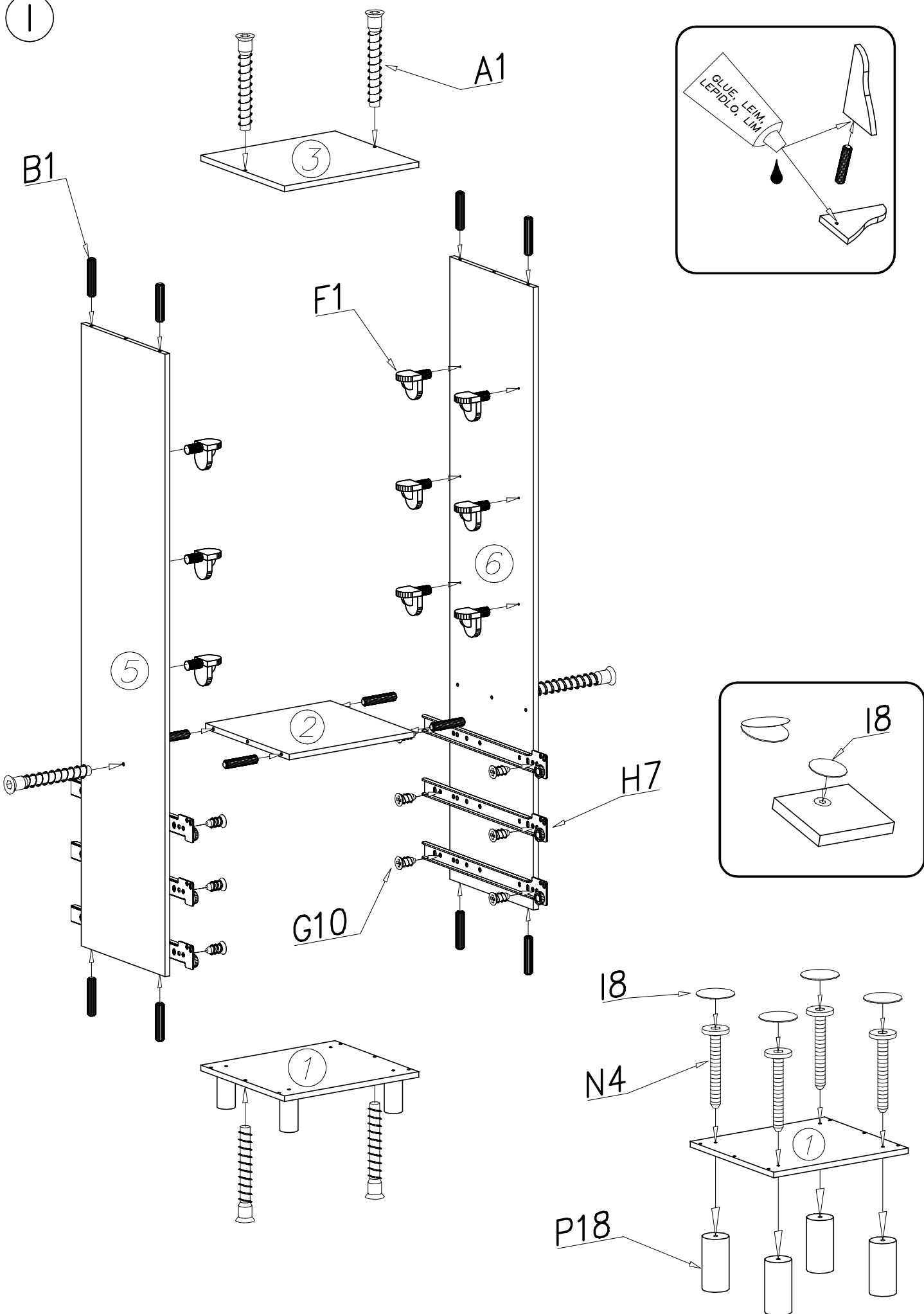


FARO FR 7

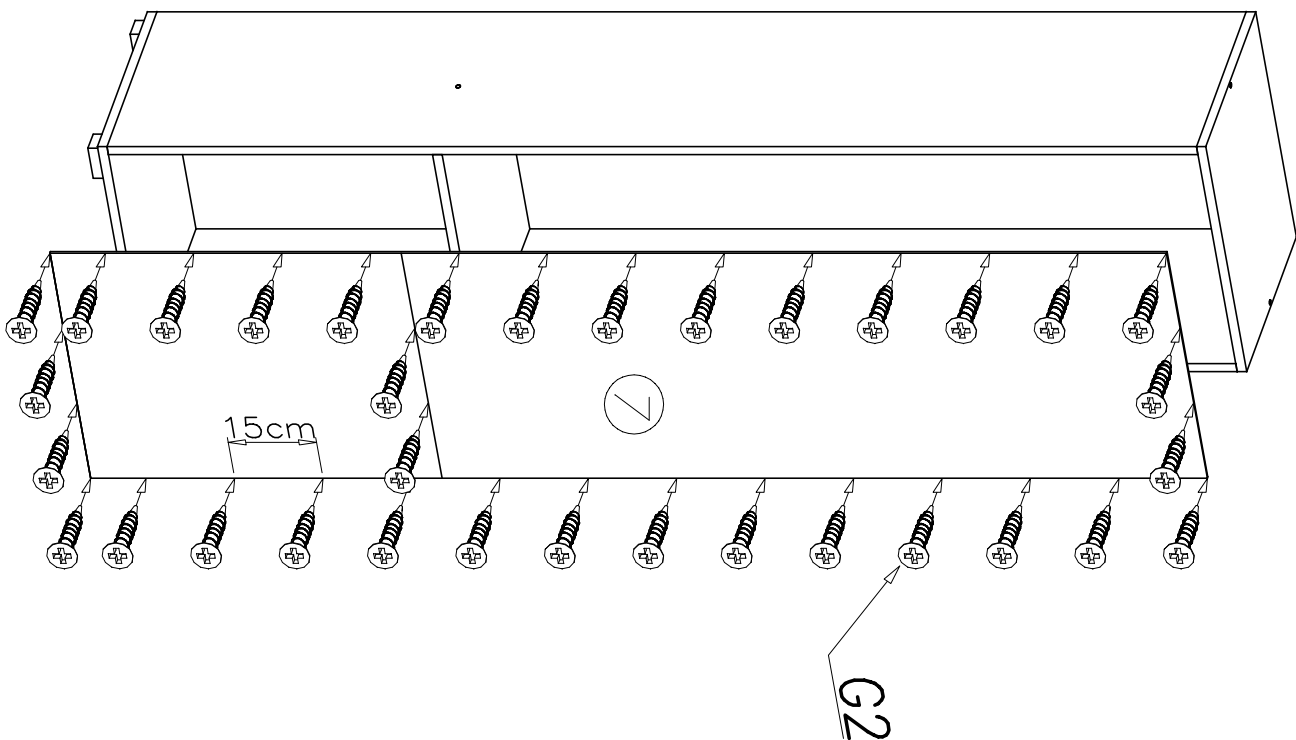


I8  $\varnothing 20$ x4	N4  M6x40 x4	P18  100mm x4	W1  GLUE, LEIM, LEPIDLO, LIM x2	H7  350mm x3
E38  x3	G4  4x16 x18	G2  3x20 x45	N13  M4x22 x3	H7  350mm x3
A1  $\varnothing 7 \times 50$ x6	B7  $\varnothing 8 \times 30$ x36	W2  x1	F1  x12	G10  6x13 x12

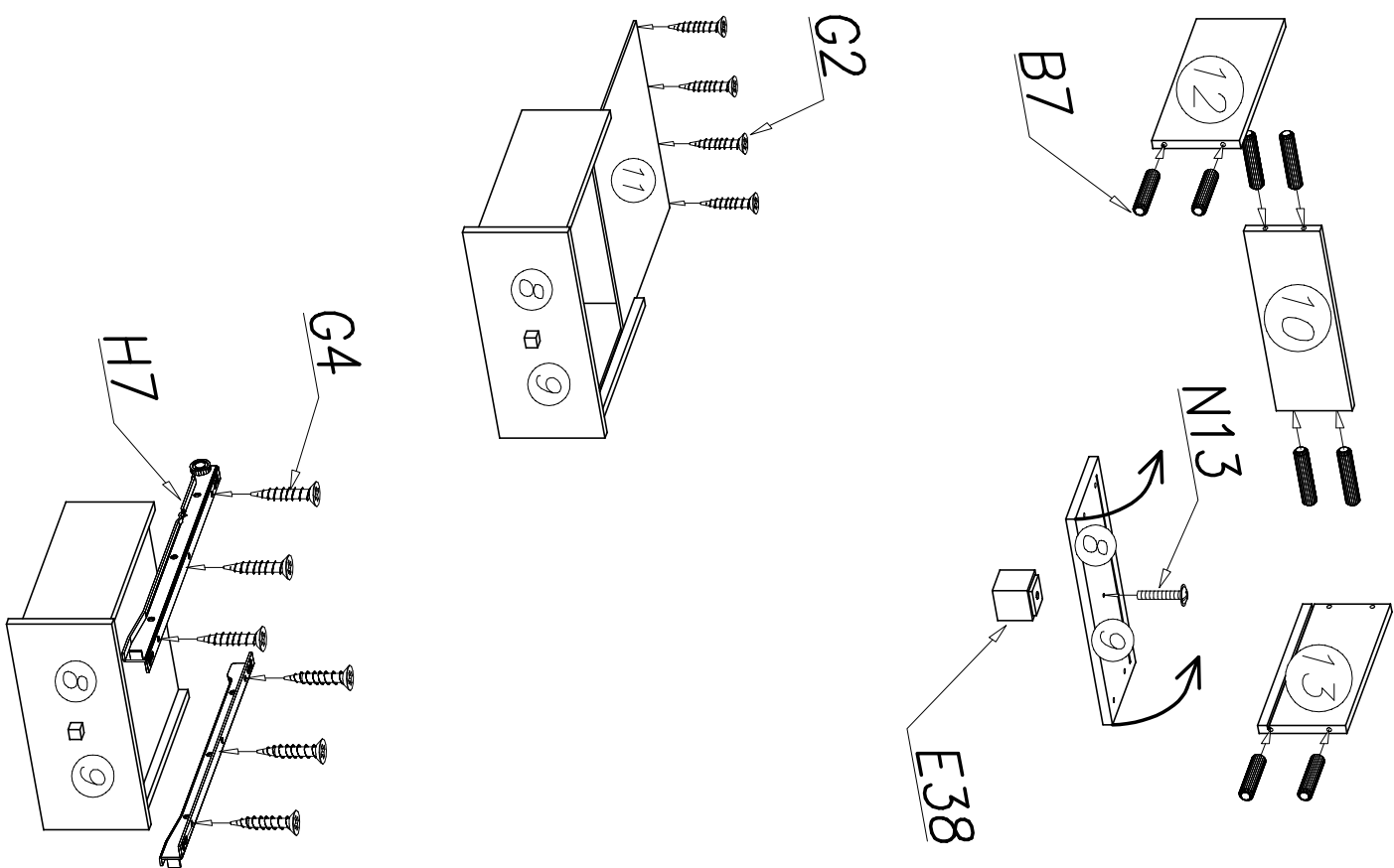
1



II



III



IV

