
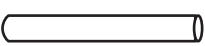







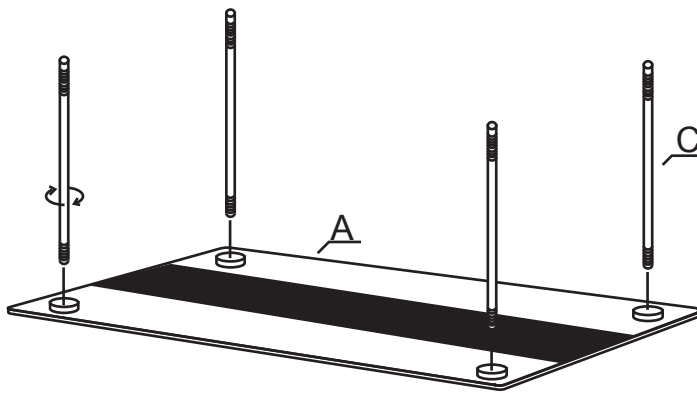
# ASSEMBLY INSTRUCTION

Item NO: Brake

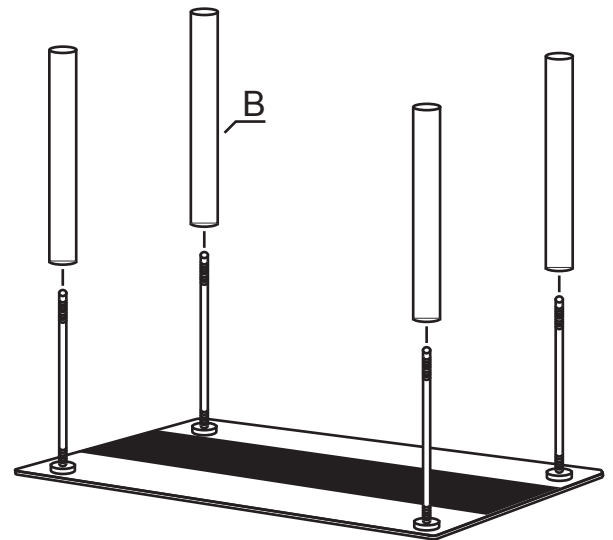
HARDWARE LIST			
NO.	PART	DESCRIPTION	Q'TY
A		glass top	1
B		long stainless tube	4
C		rod	4
D		feet	4
E		screw nut	4
F		metal gasket	4
G		hexagon spanner	1



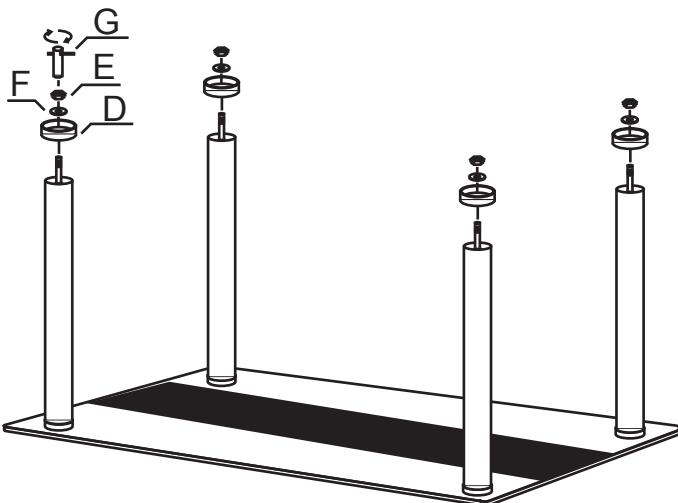
step 1



step 2



step 3



step 4

