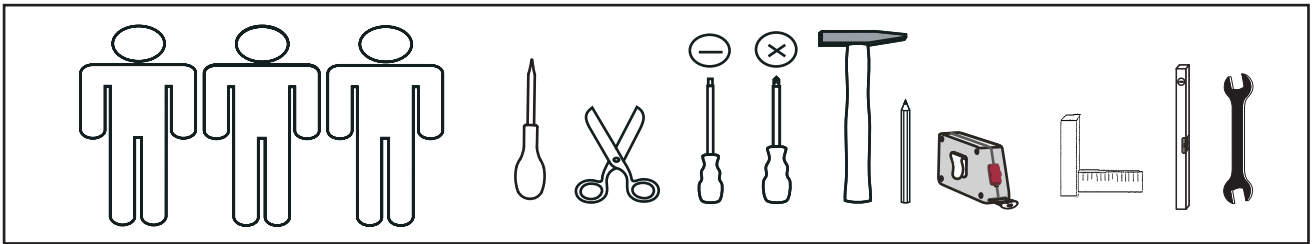
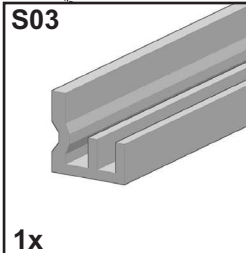
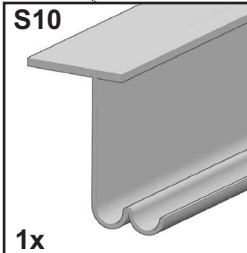
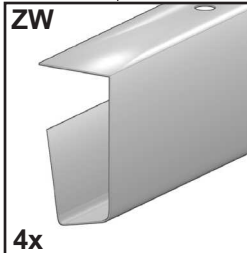
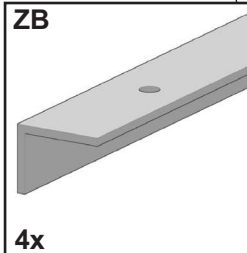






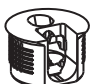
NR	DIM	QTE	COLLI
1	1100x690x15	2	6/8
2	690x260x15	4	6;7/8
3	840x690x15	4	6;7/8
4	1100x690x15	2	7/8
5	2250x551x15	1	3/8
6	2250x551x15	1	3/8
7	2249x535x15	3	4;5/8
8	656,5x535x15	4	2/8
9	656,5x535x15	4	2/8
10	656,5x480x22	4	1/8
11	656,5x50x15	4	1/8
12	656,5x50x15	4	1/8
13	2187x663x2	4	4/8
ZB	L-2200	4	8/8
ZW	L-2200	4	8/8
S03	L-2668	1	8/8
S10	L-2668	1	8/8

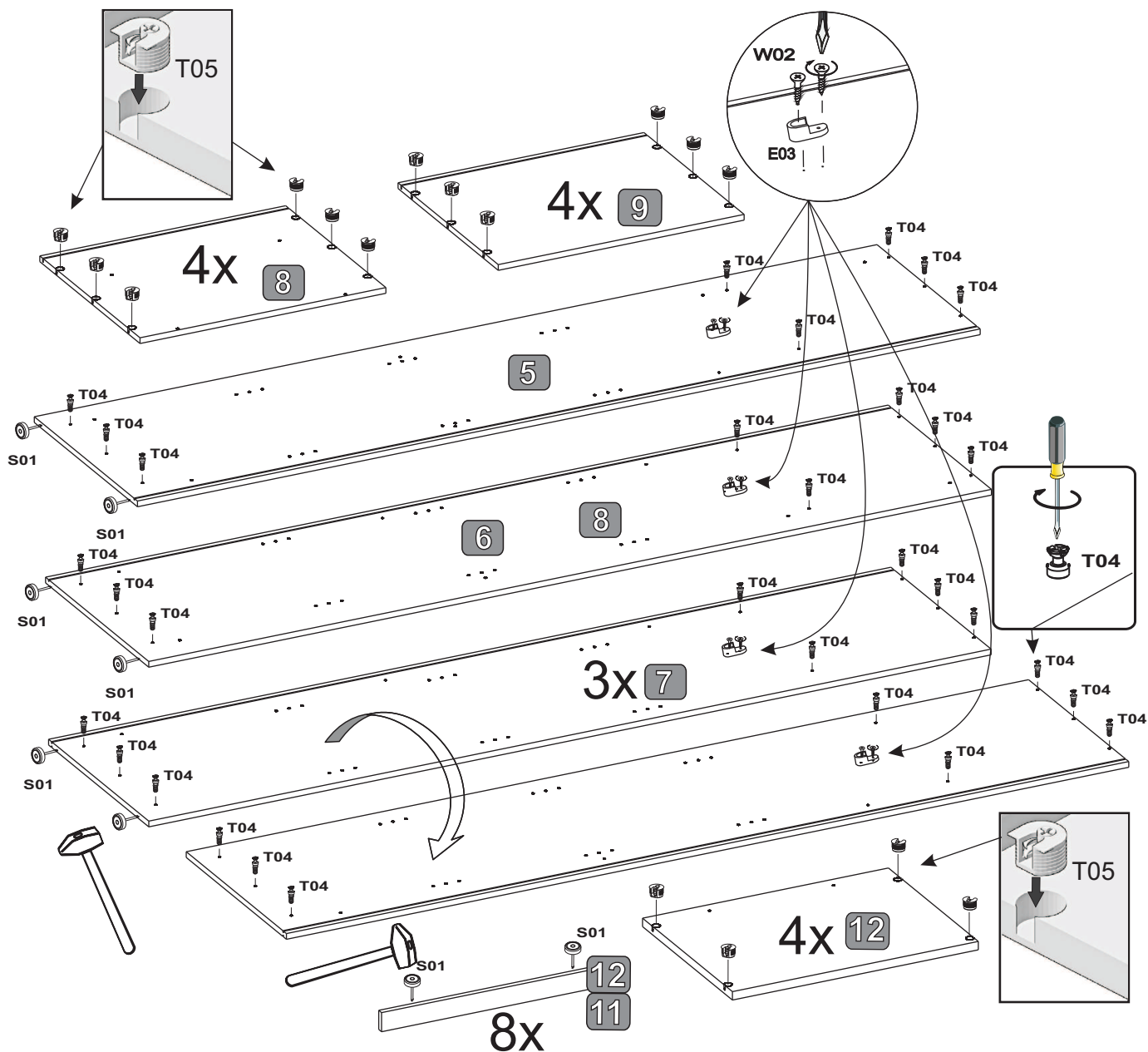


 64x T04	 64x T05	 2x P01	 2x F01	 2x F11	 16x C02
 5x40 16x W06	 1x K01	 6,3x10 32x W20	 32x R02	 48x R01	 16x W08
 8x E03	 4x13 4x W07	 3,5x13 193x W02	 4x J01	 26x S01	 3,5x13 13x W05
 4x P-10	 4x P-07	 2x P-09	 4x P-06	 2x P-08	 2x F-02
 2x w146\4	 1x w146\5	 1x w146\6			
 M4x6 4x j154	 6x11 56x W12				
 L+R 1x G-02					

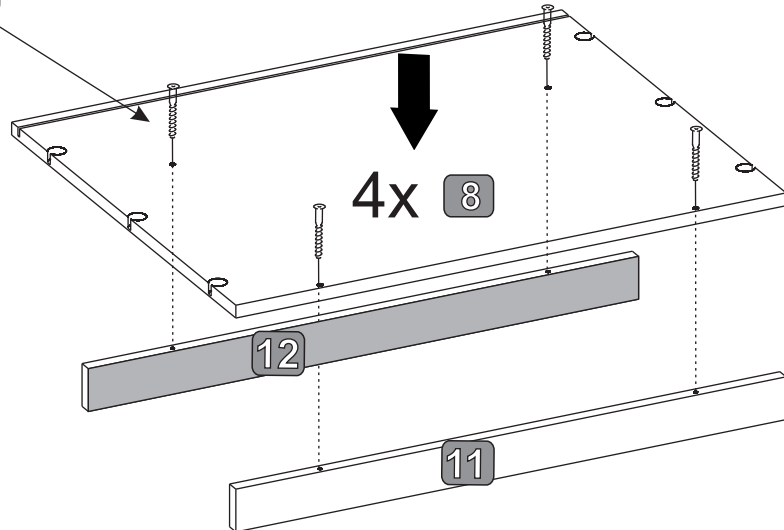
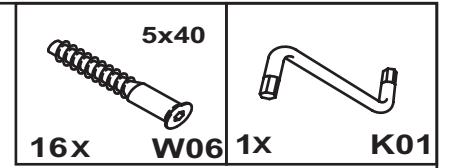
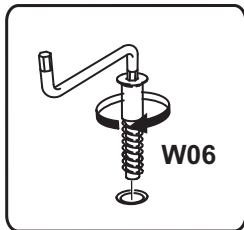


# 1

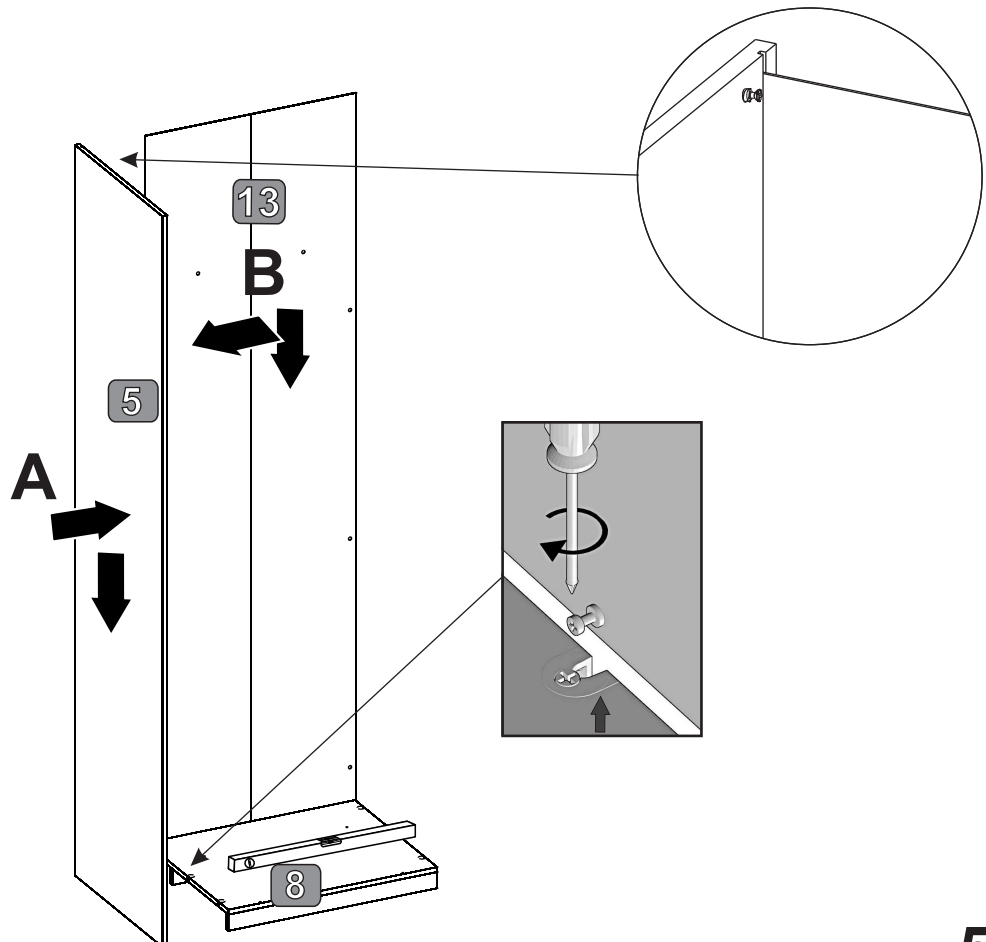
	26x		8x		64x		16x		64x
<b>S01</b>		<b>E03</b>		<b>T04</b>		<b>W02</b>		<b>T05</b>	



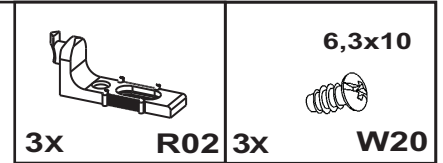
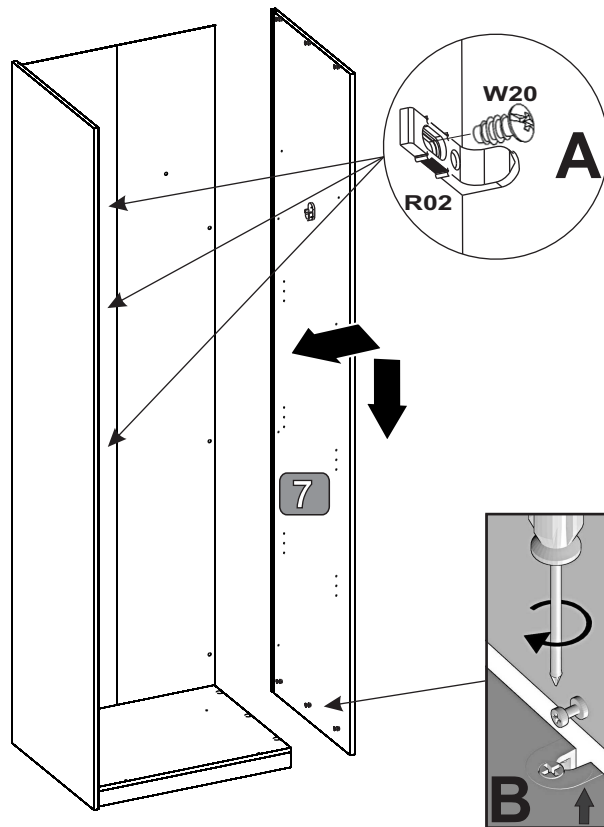
## 2



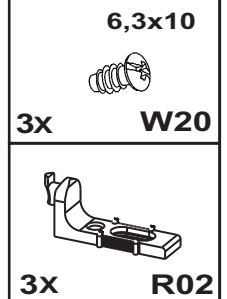
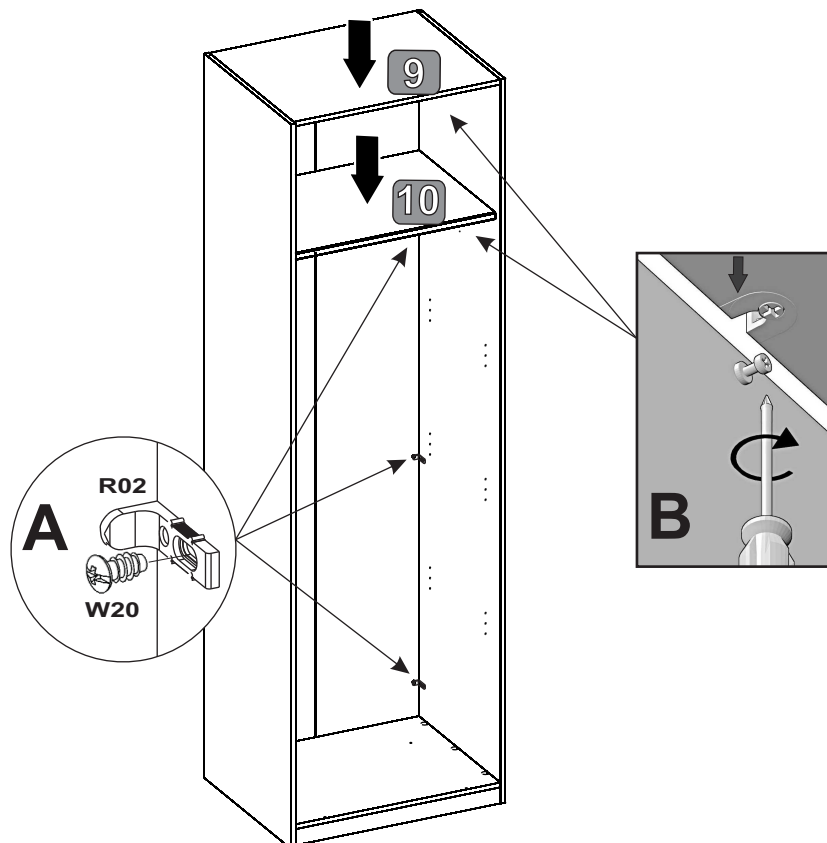
## 3



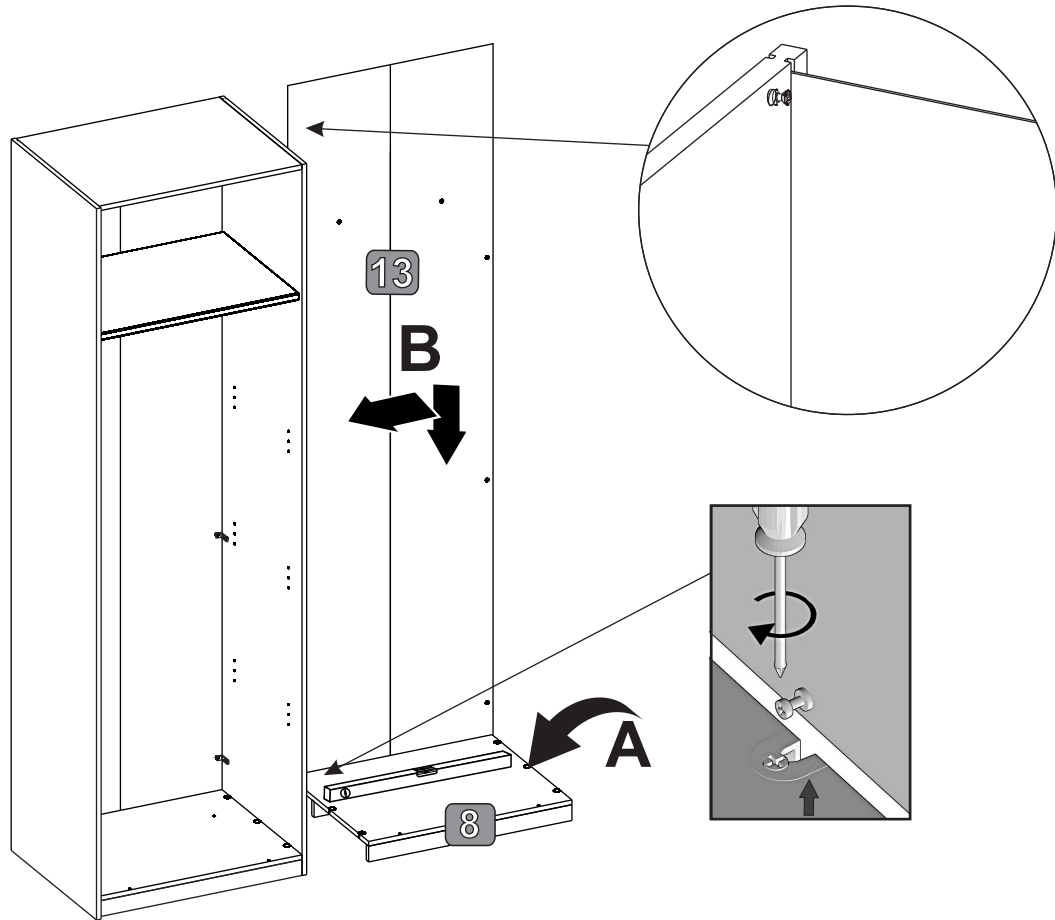
## 4



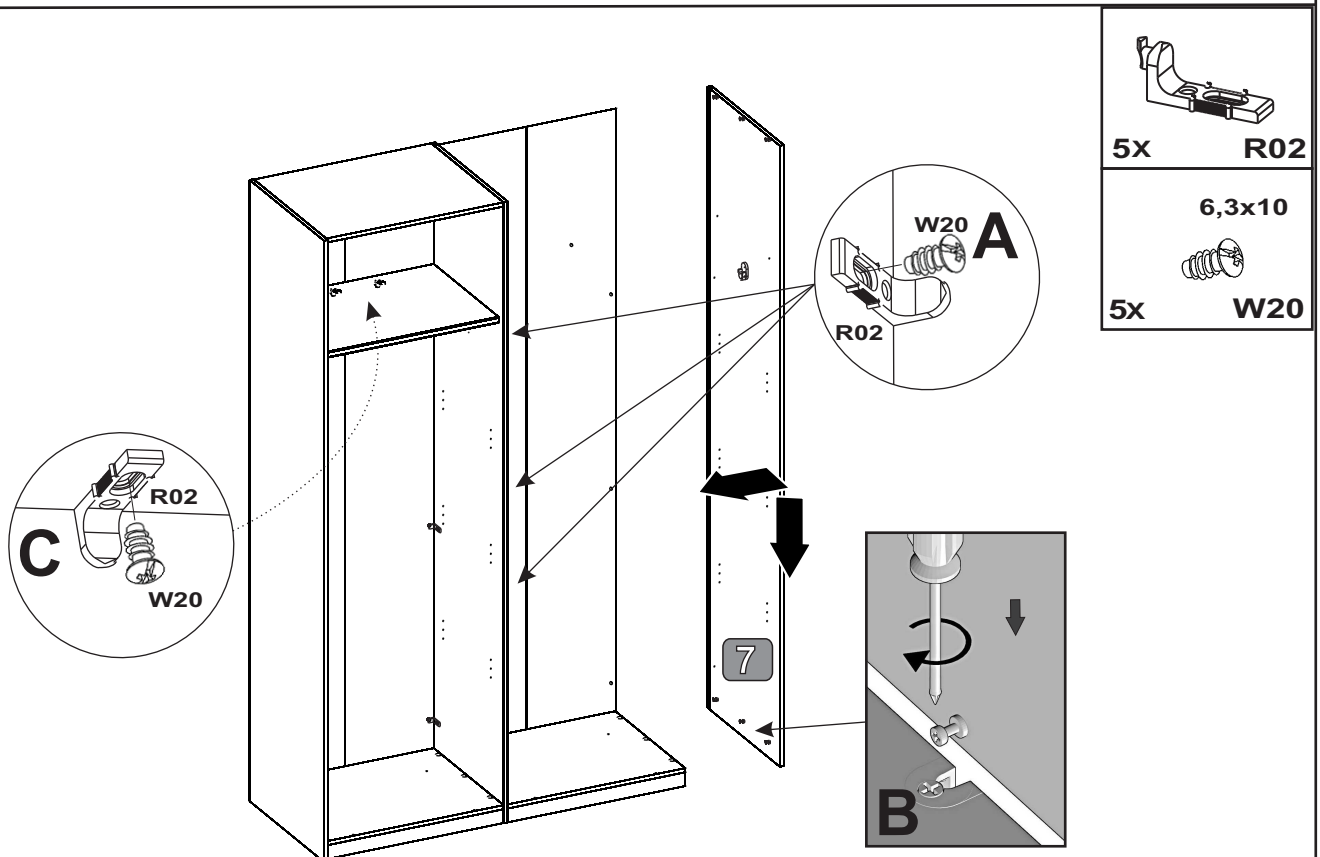
## 5



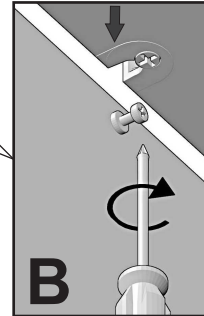
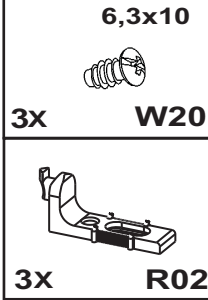
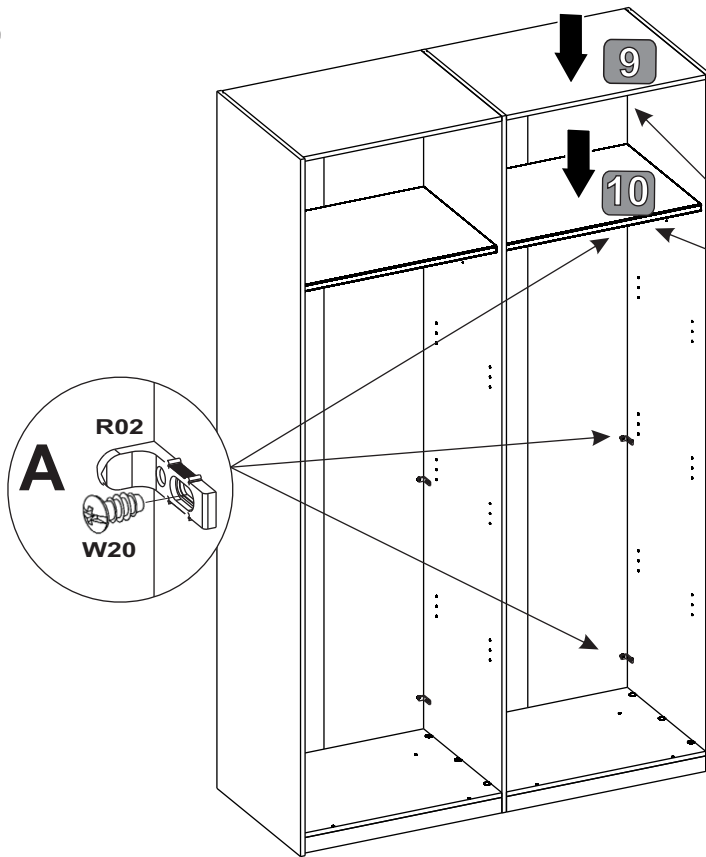
## 6



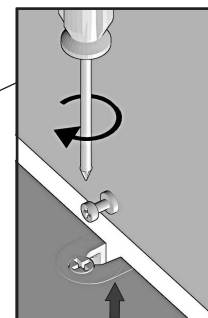
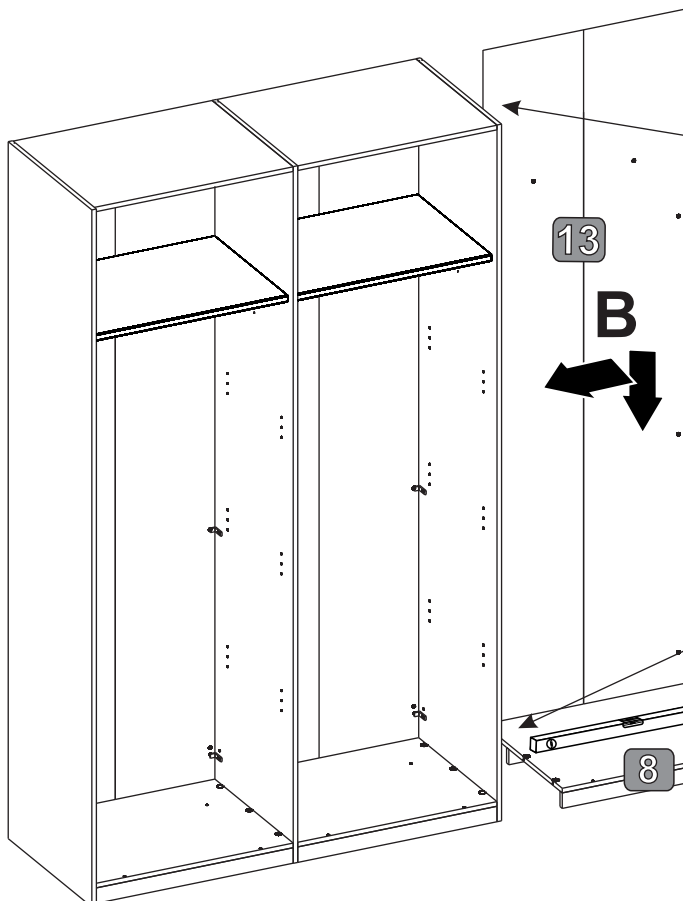
## 7



## 8

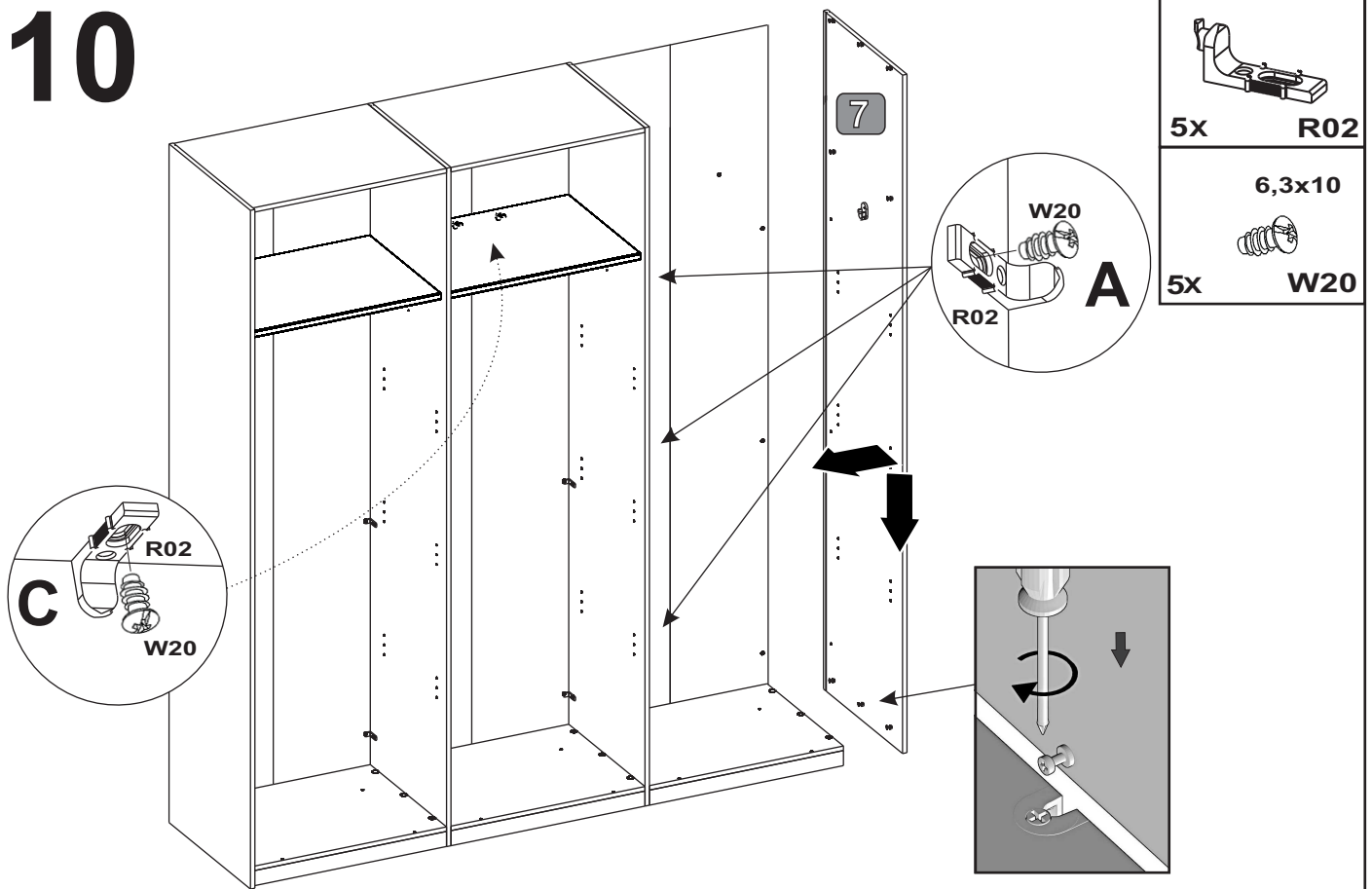


## 9

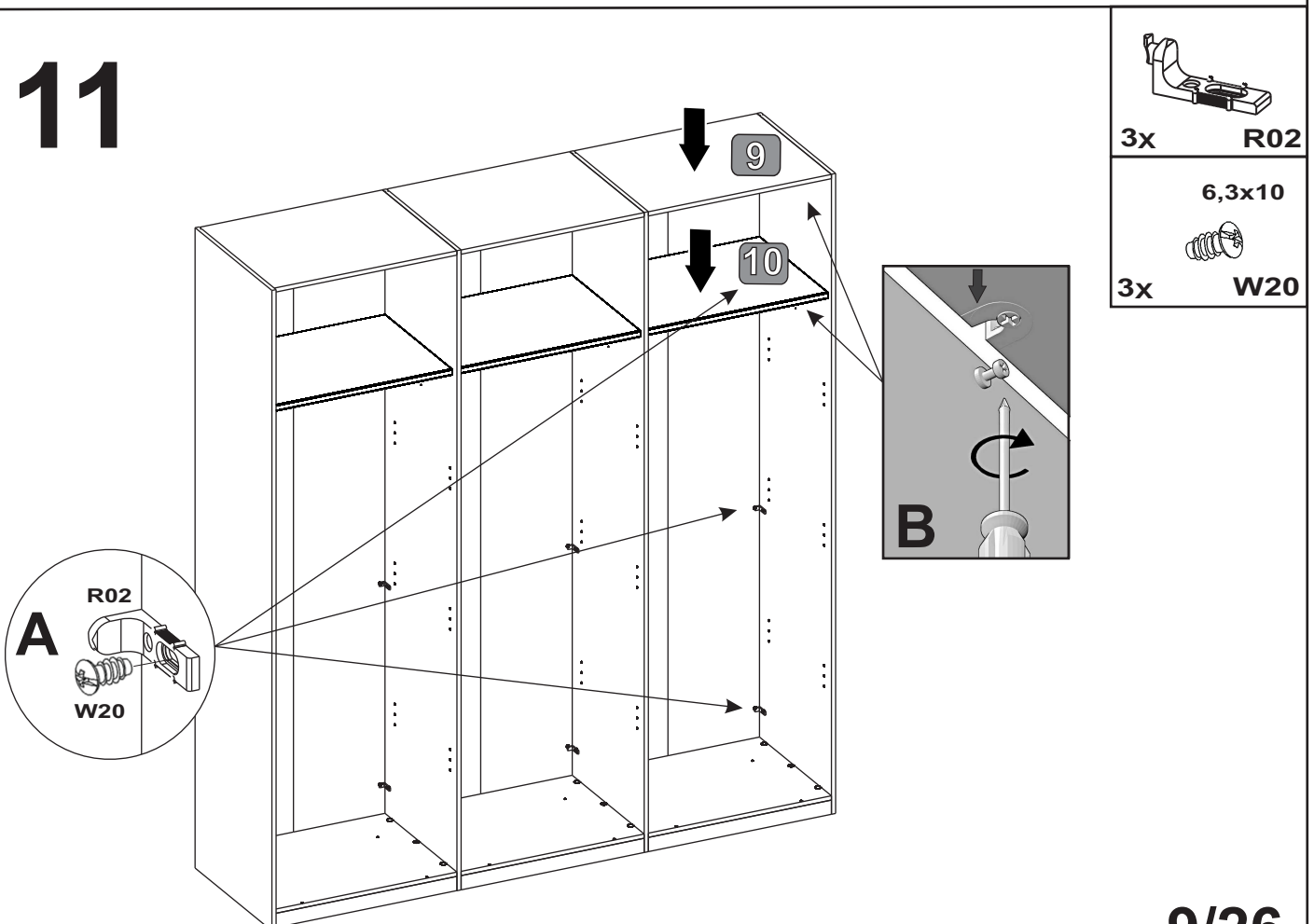




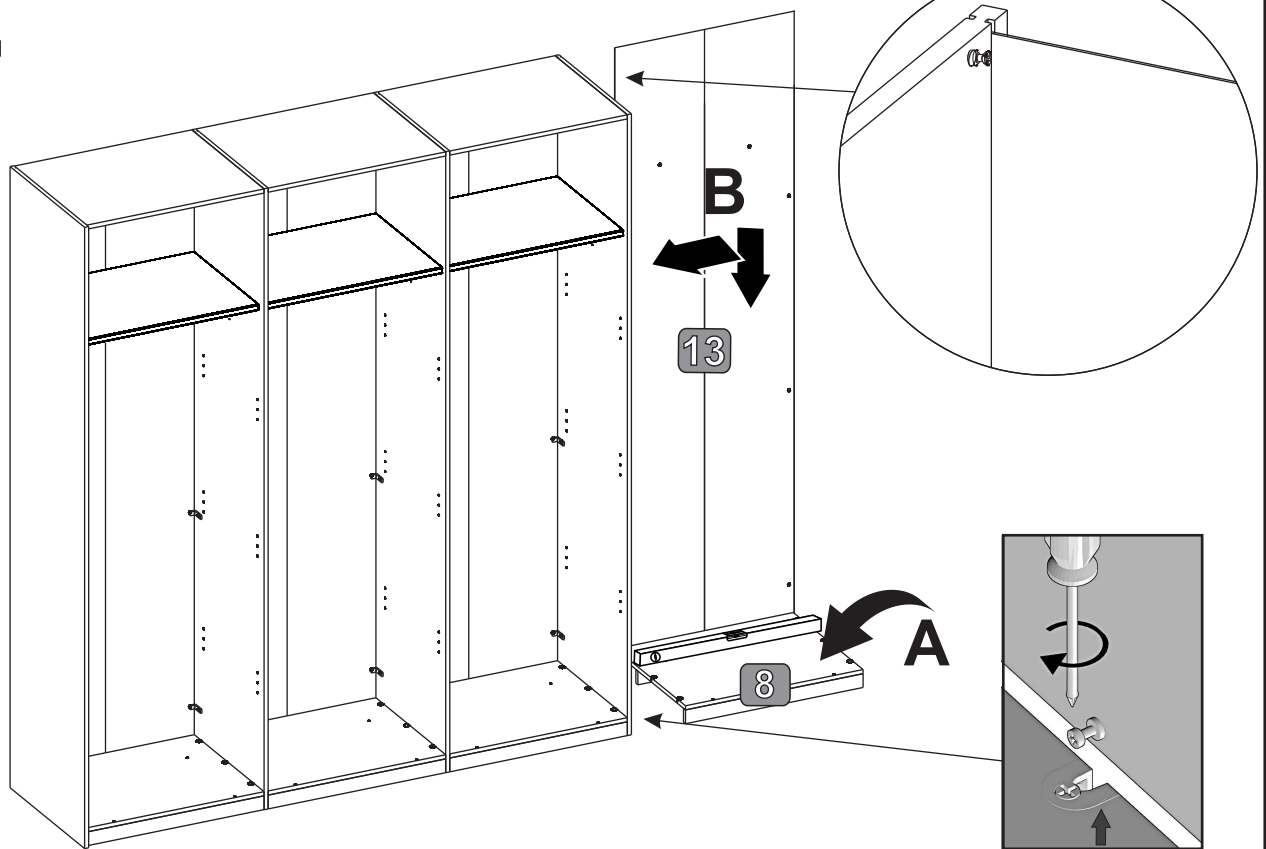
## 10



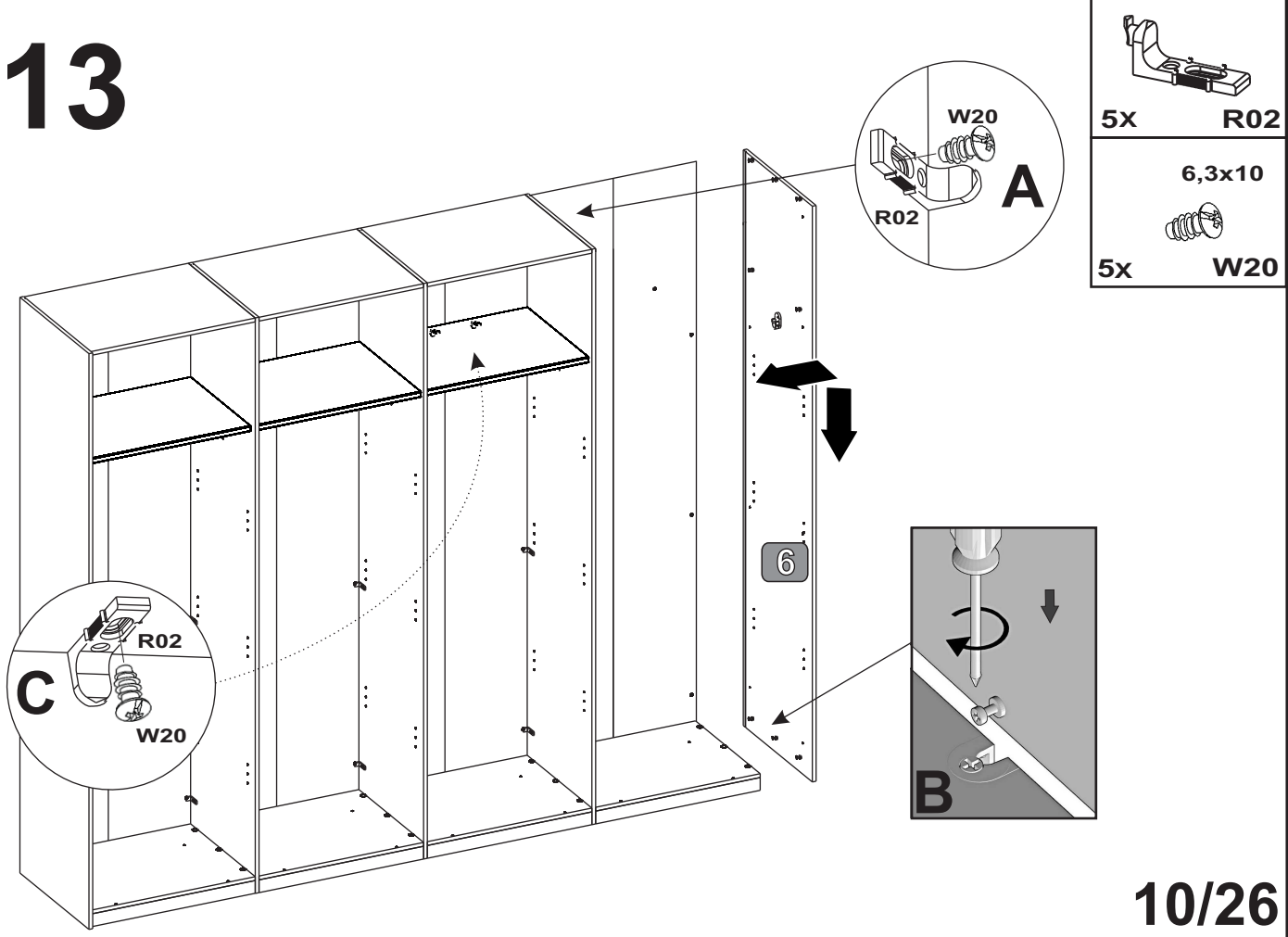
## 11



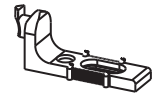
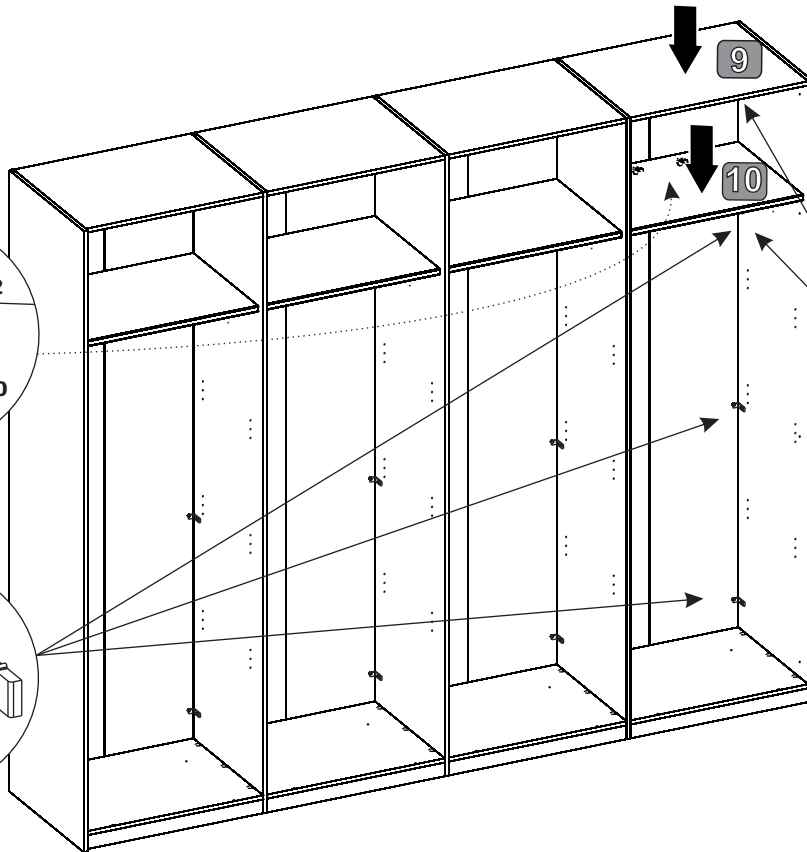
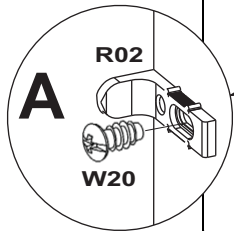
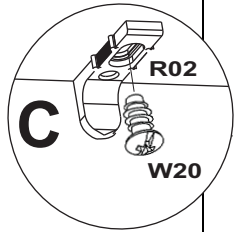
## 12



## 13



## 14

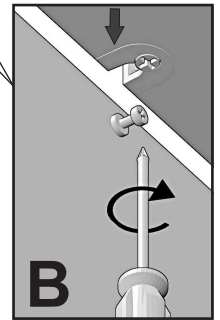


5X R02

6,3x10



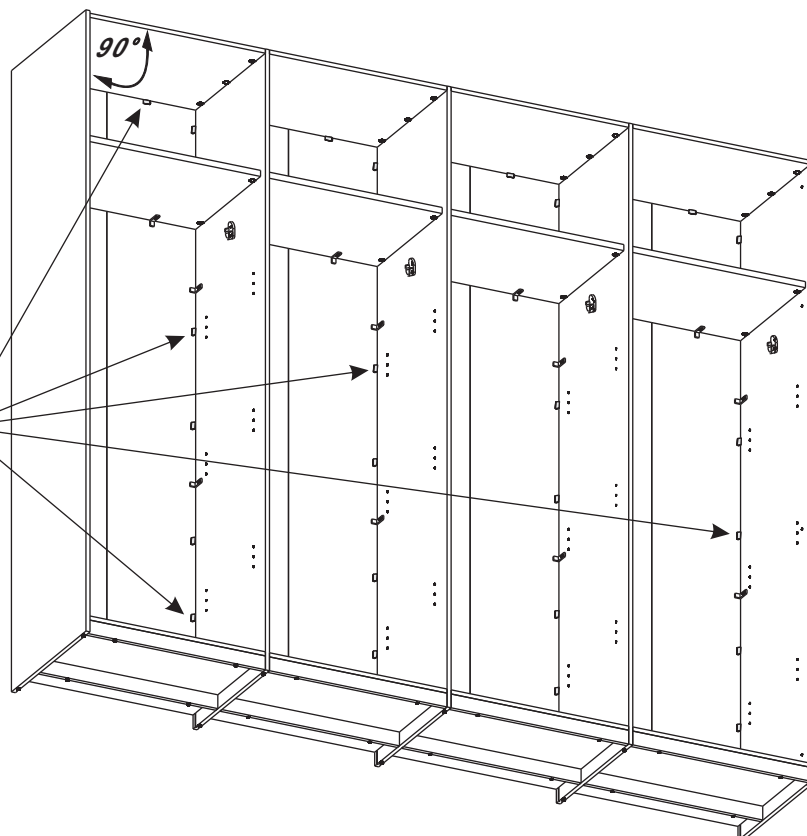
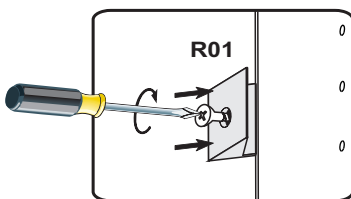
5X W20







## 15

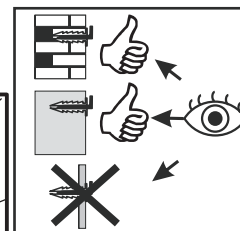
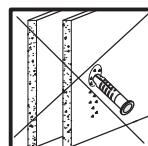
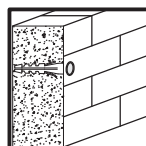
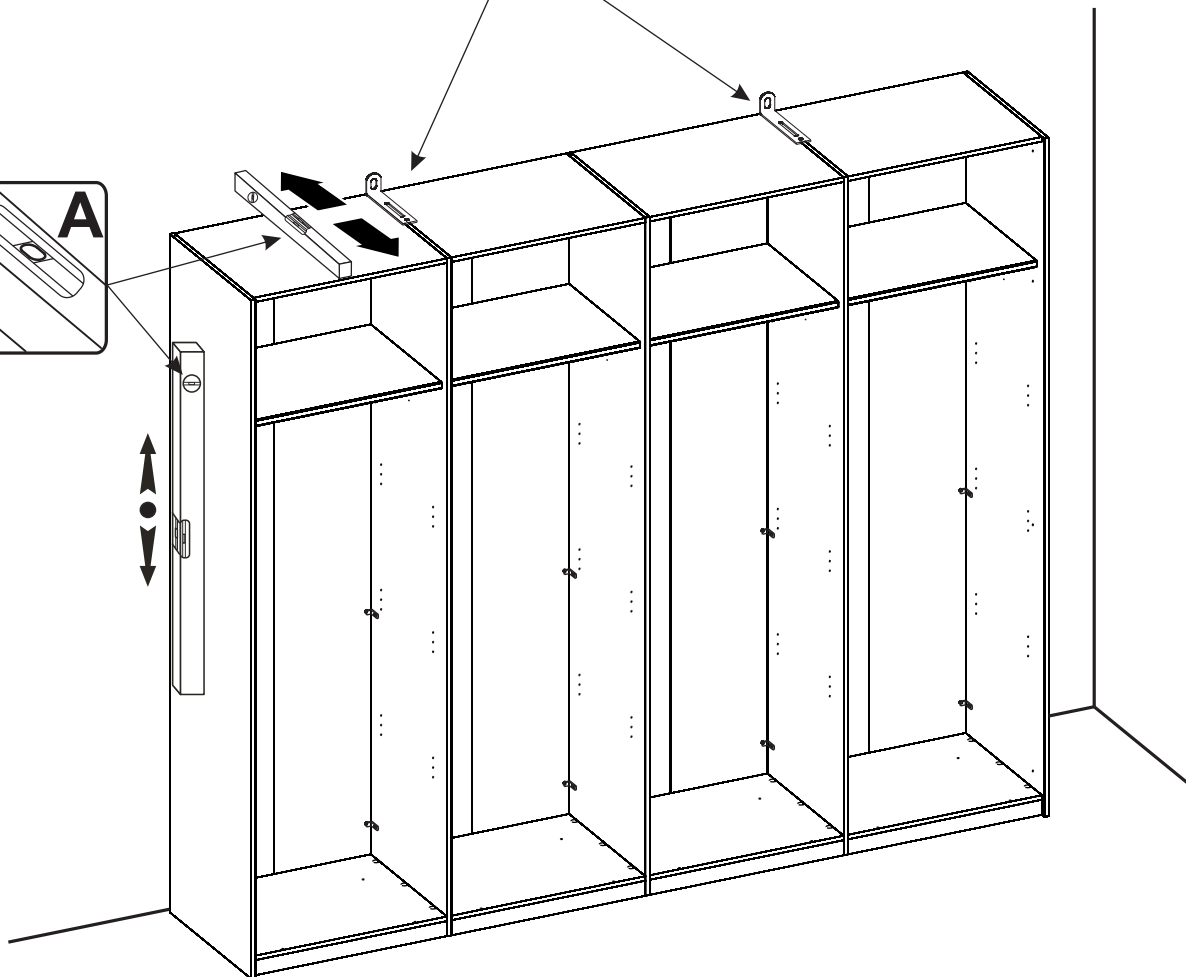
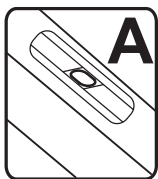
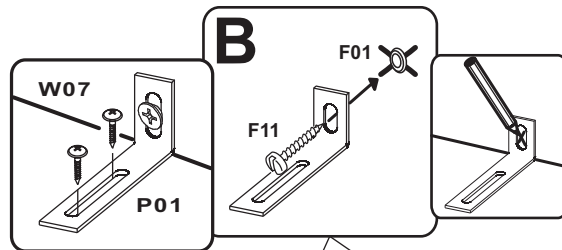


48X R01

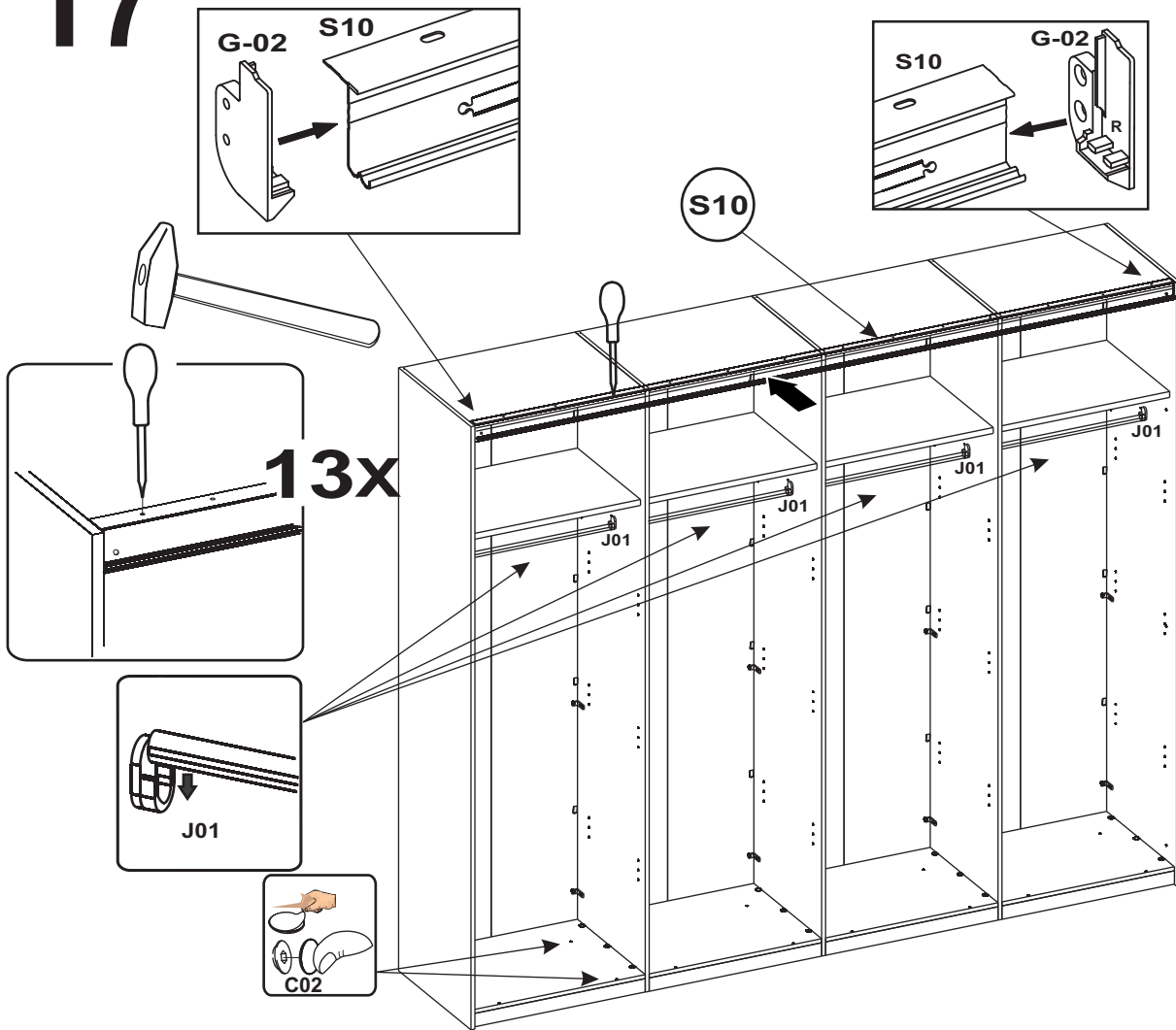


# 16

	
2x F01	2x F11
	
4x13	
4x W07	
	
2x P01	

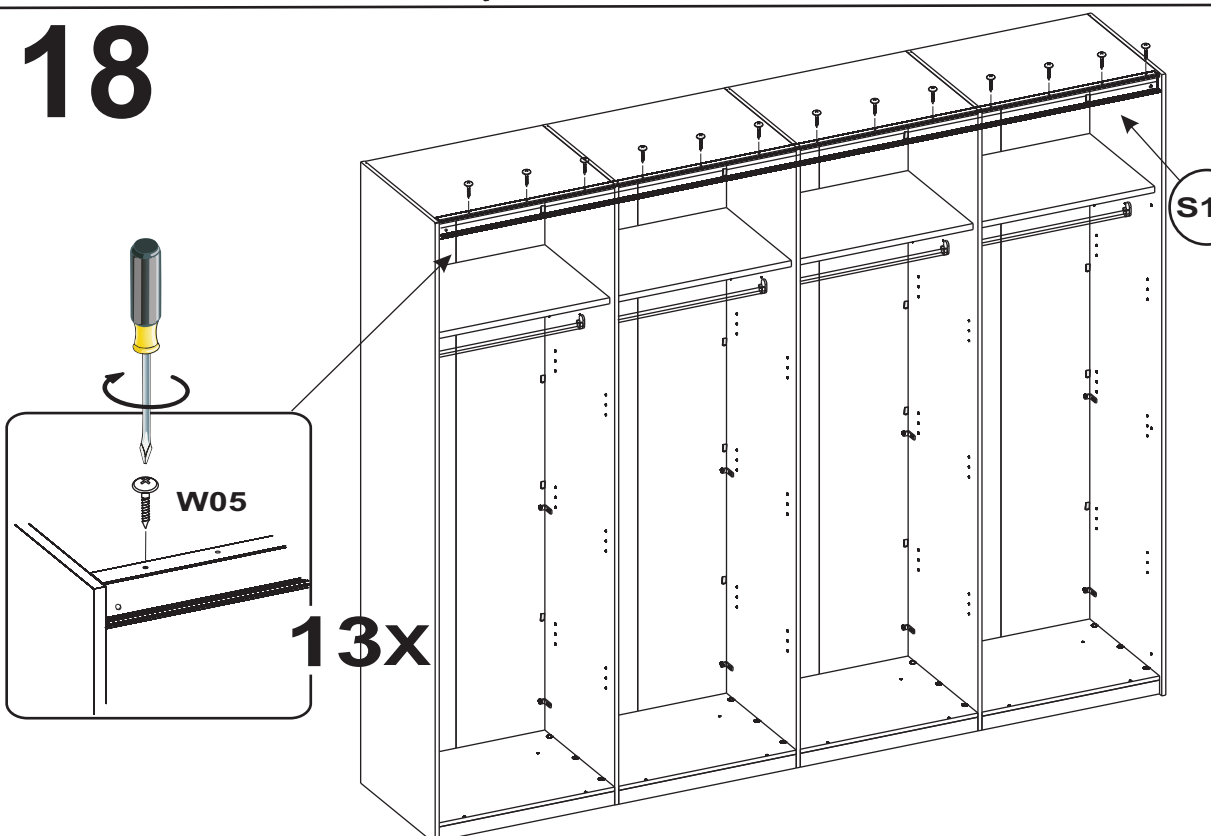


## 17



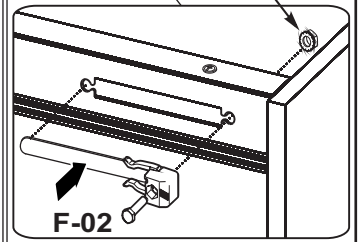
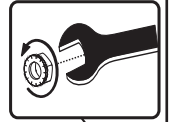
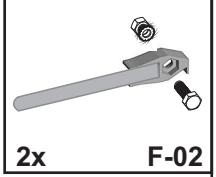
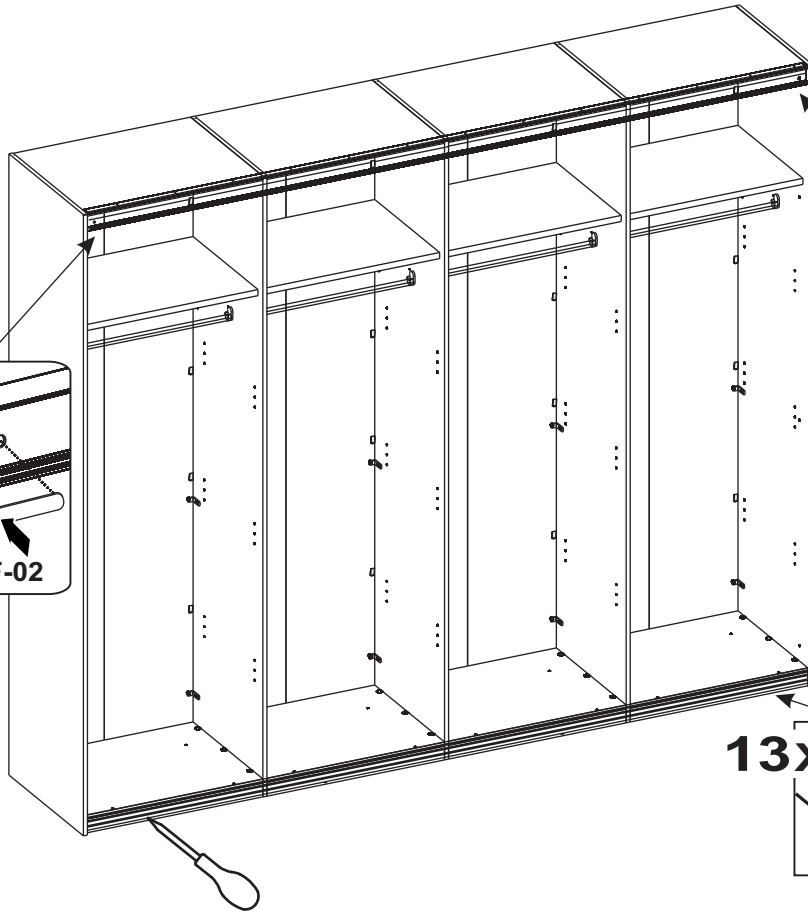
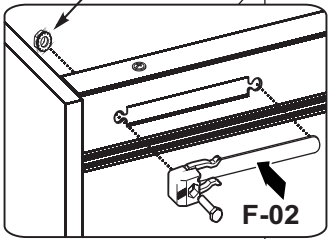
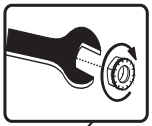
- 4x J01
- 16x C02 L+R
- 1x G-02

## 18

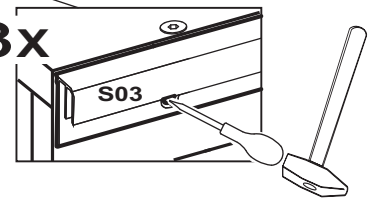


- 3,5x13 W05
- 13x W05

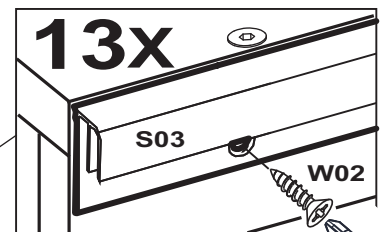
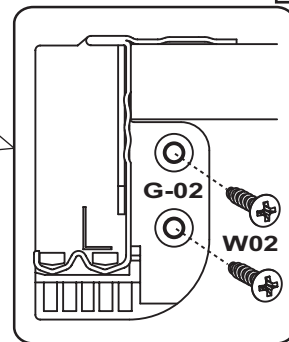
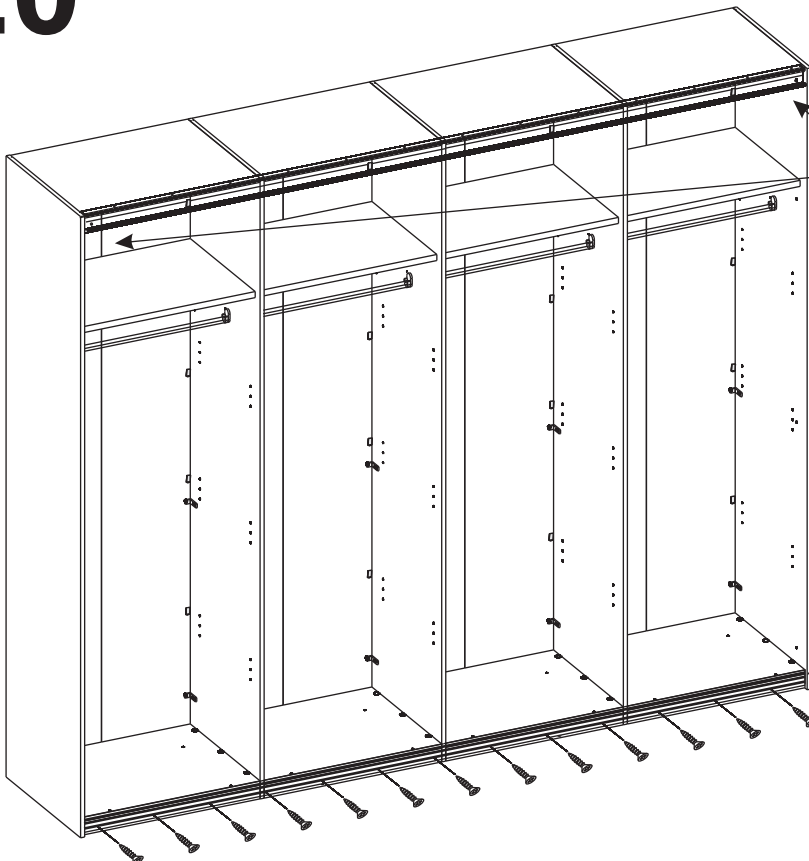
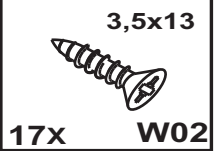
## 19



13X

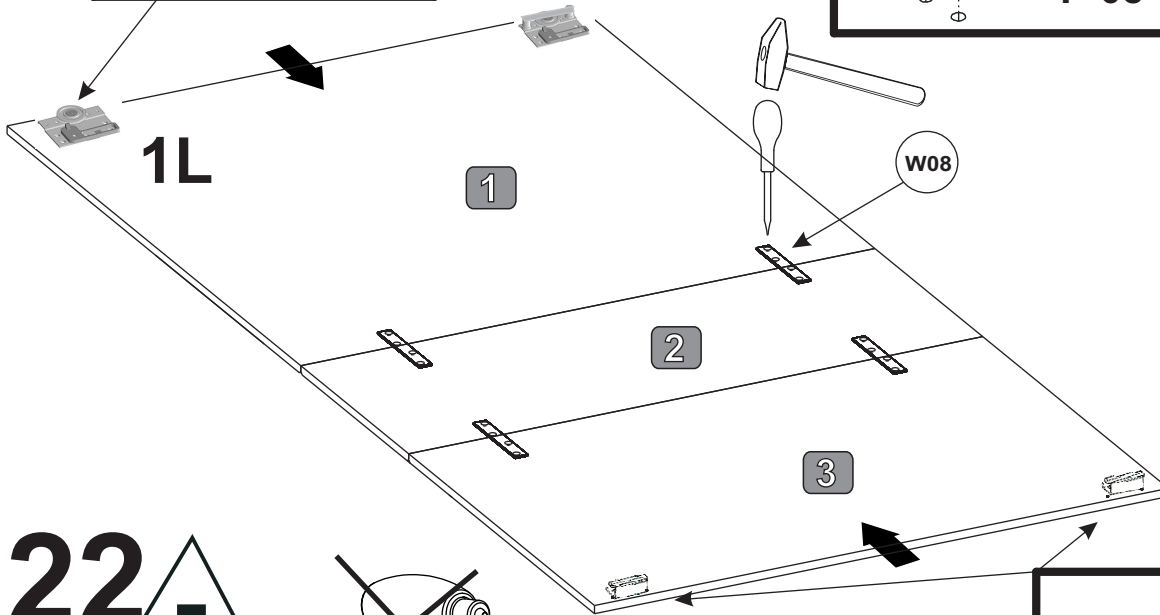
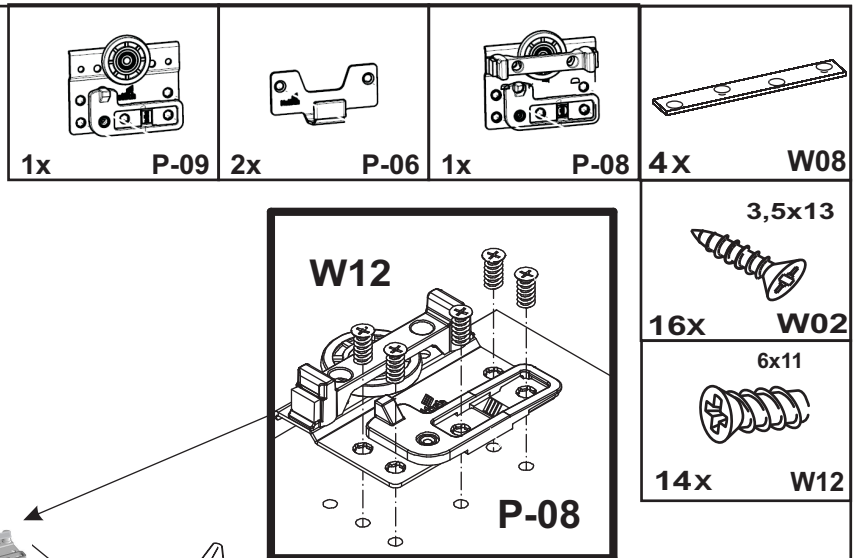


## 20

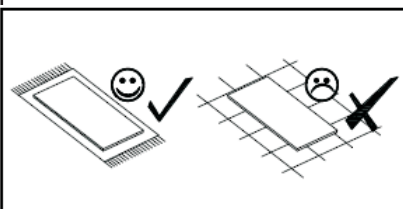
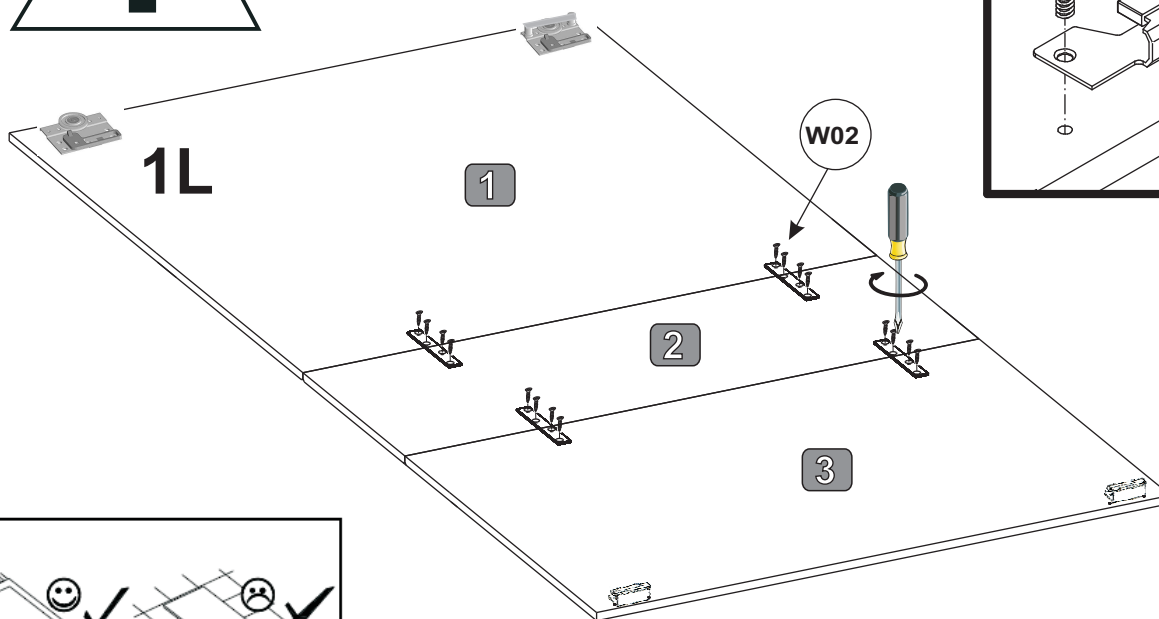
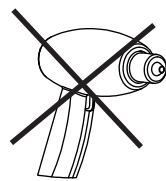
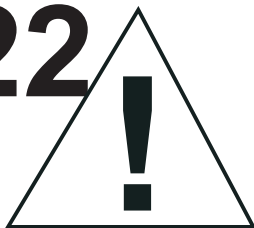


13X

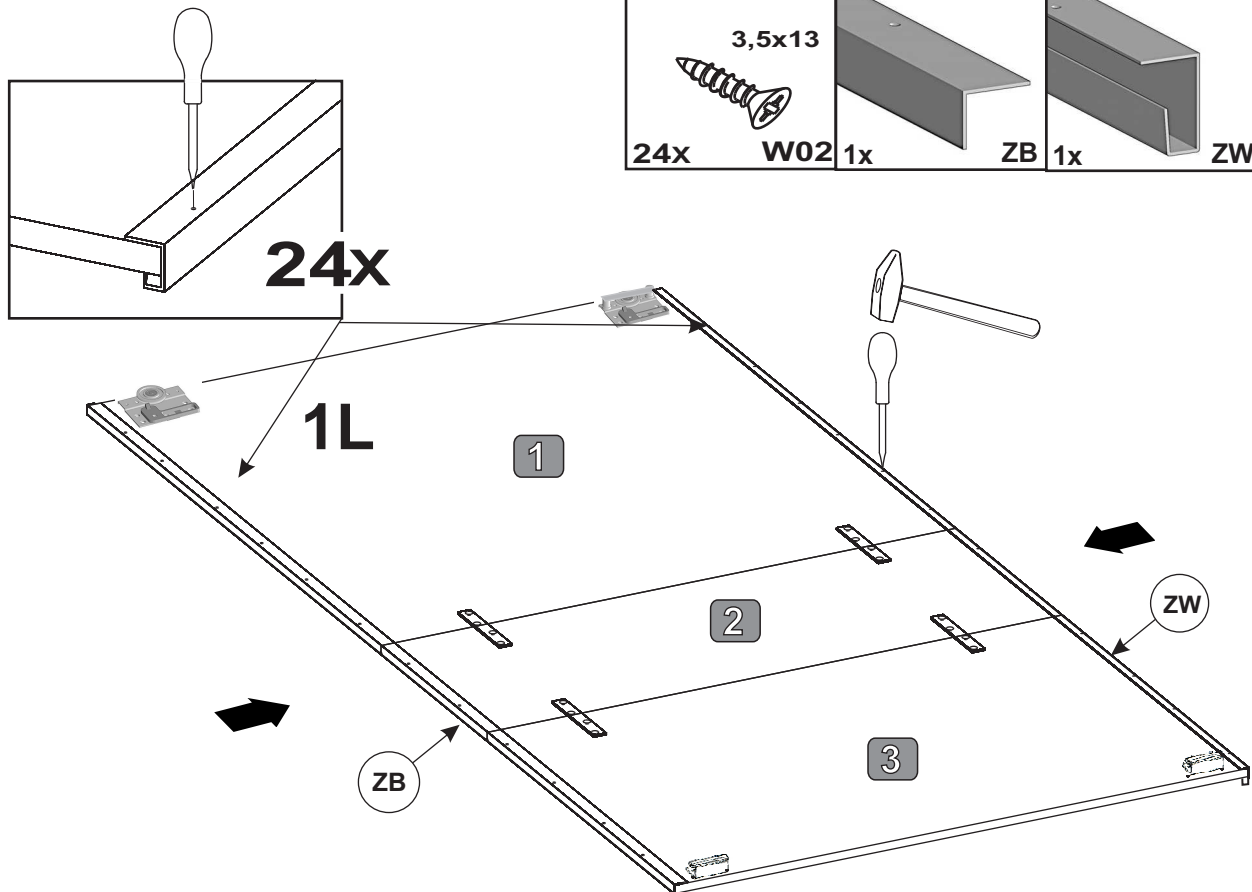
## 21



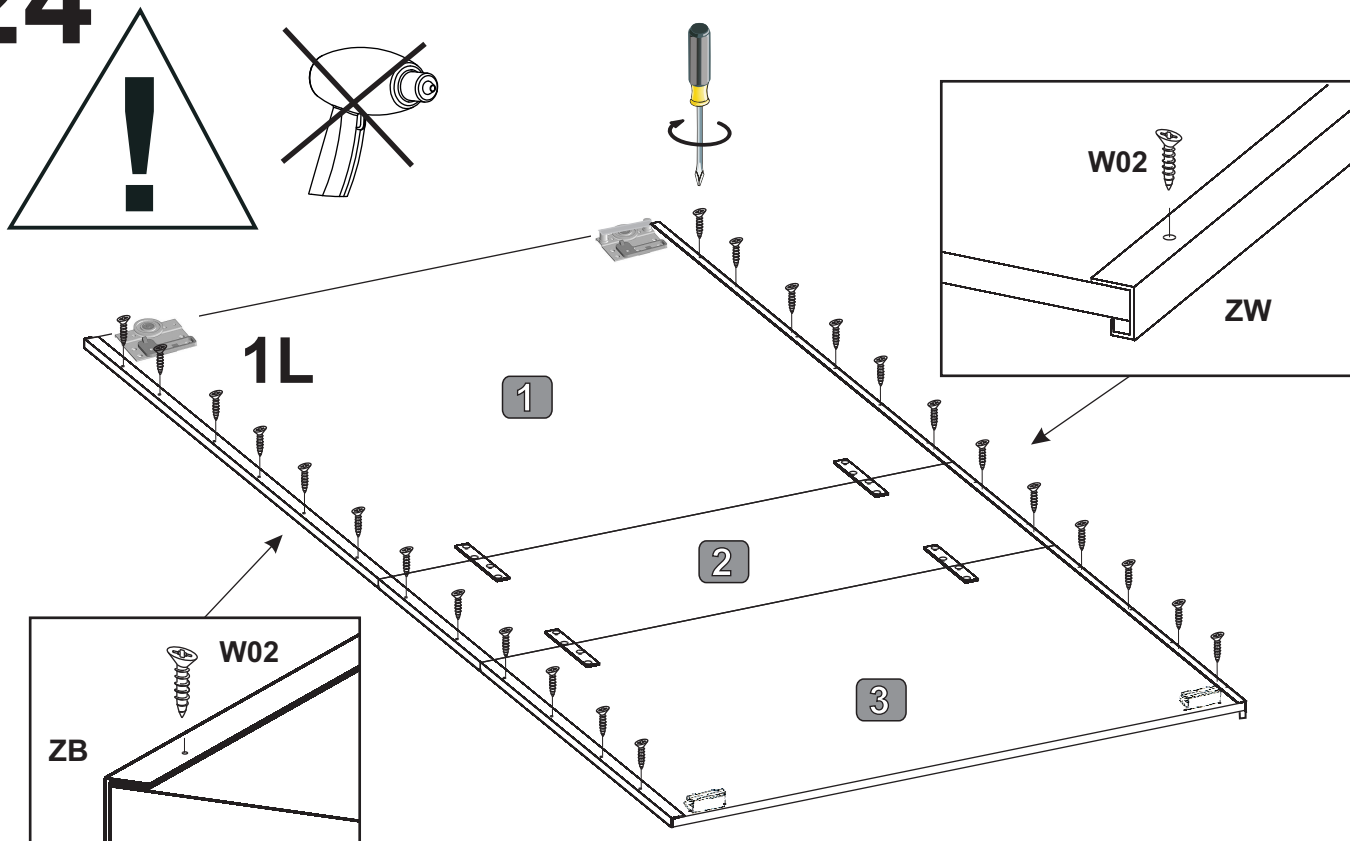
## 22



## 23

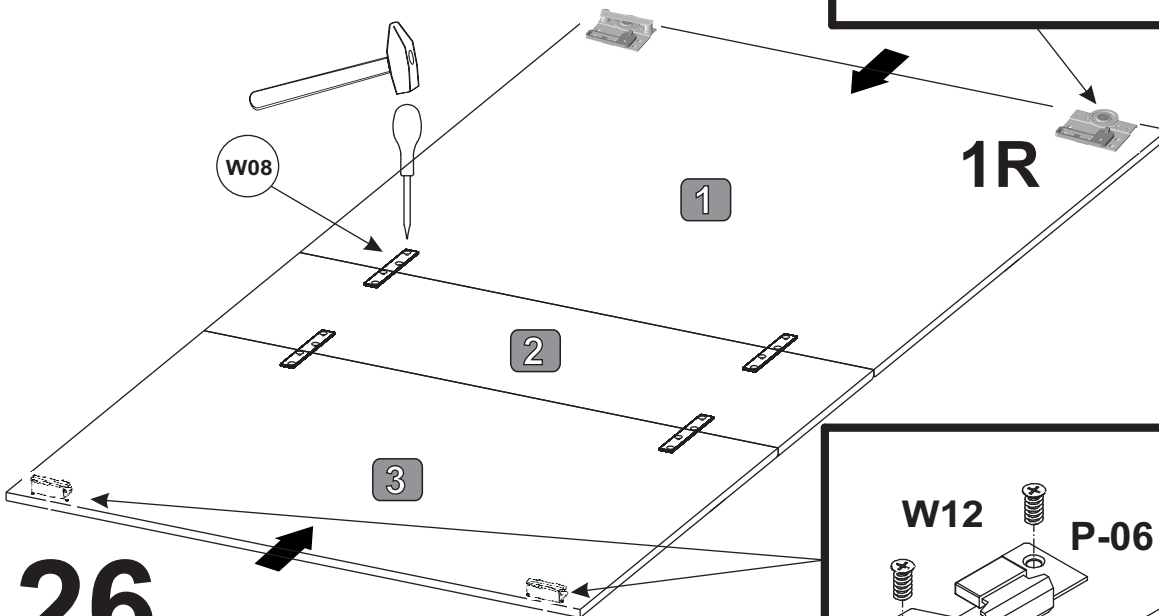
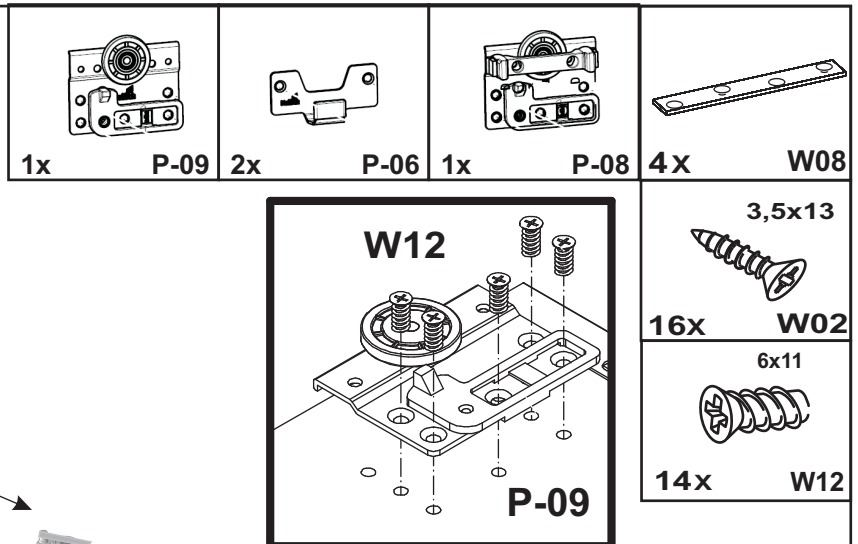


## 24

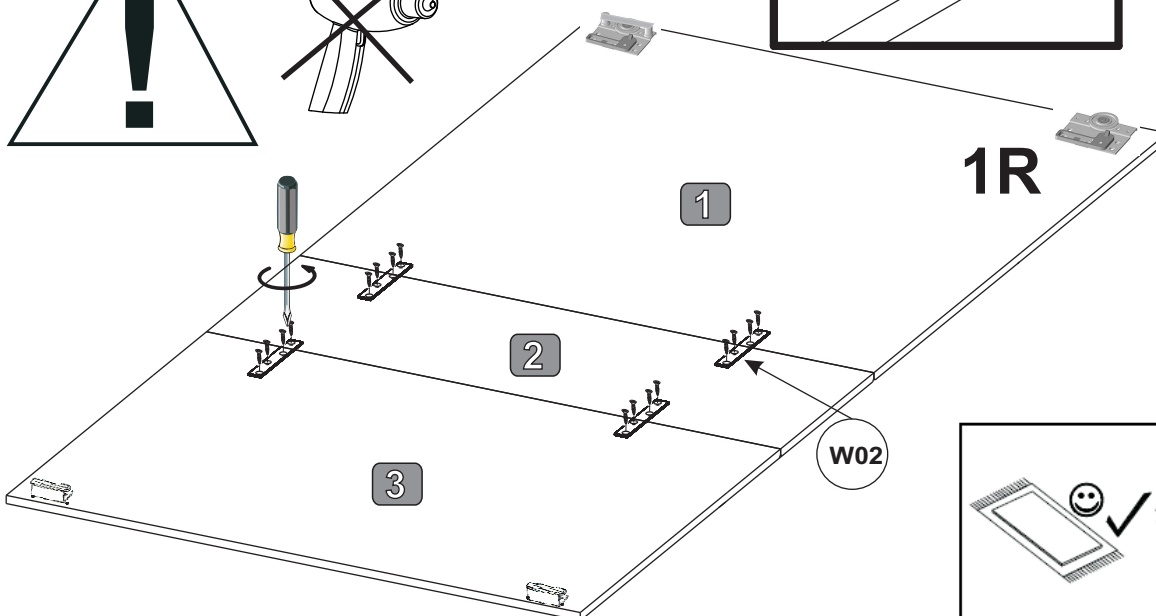
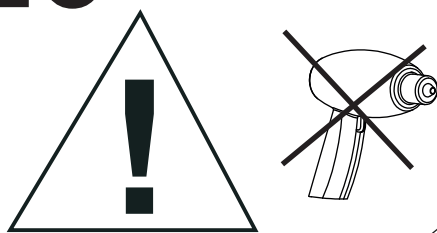




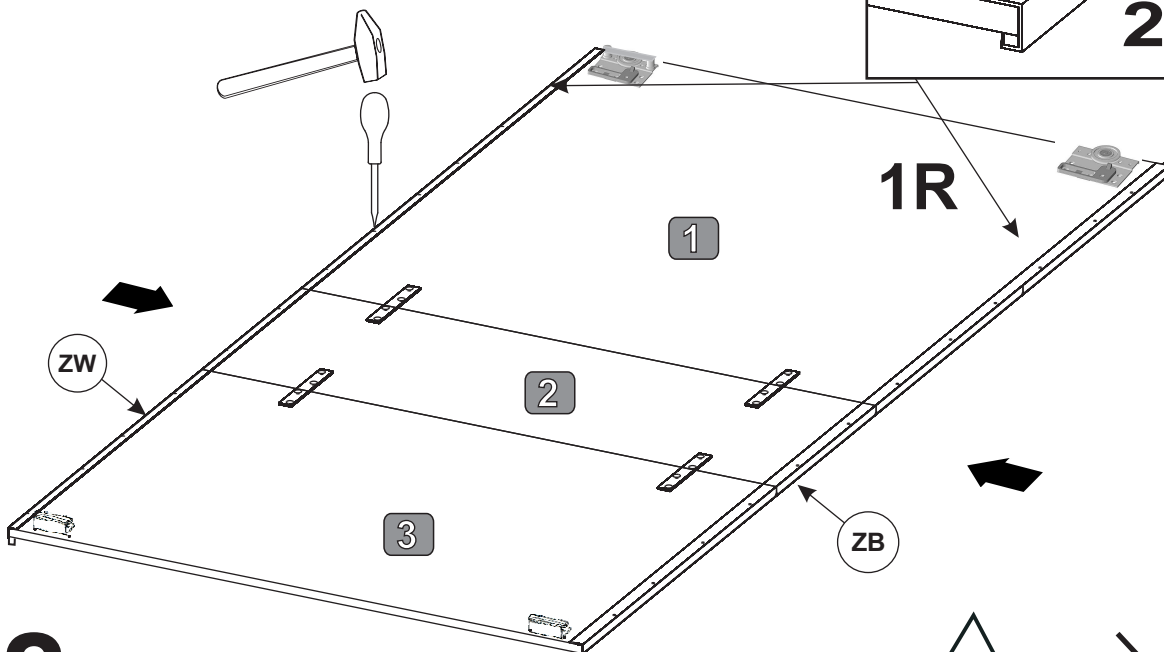
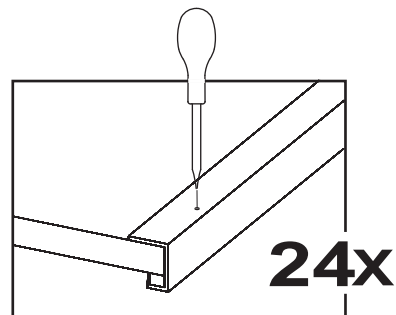
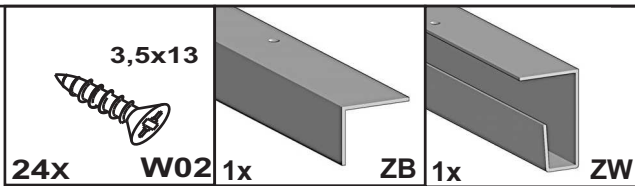
## 25



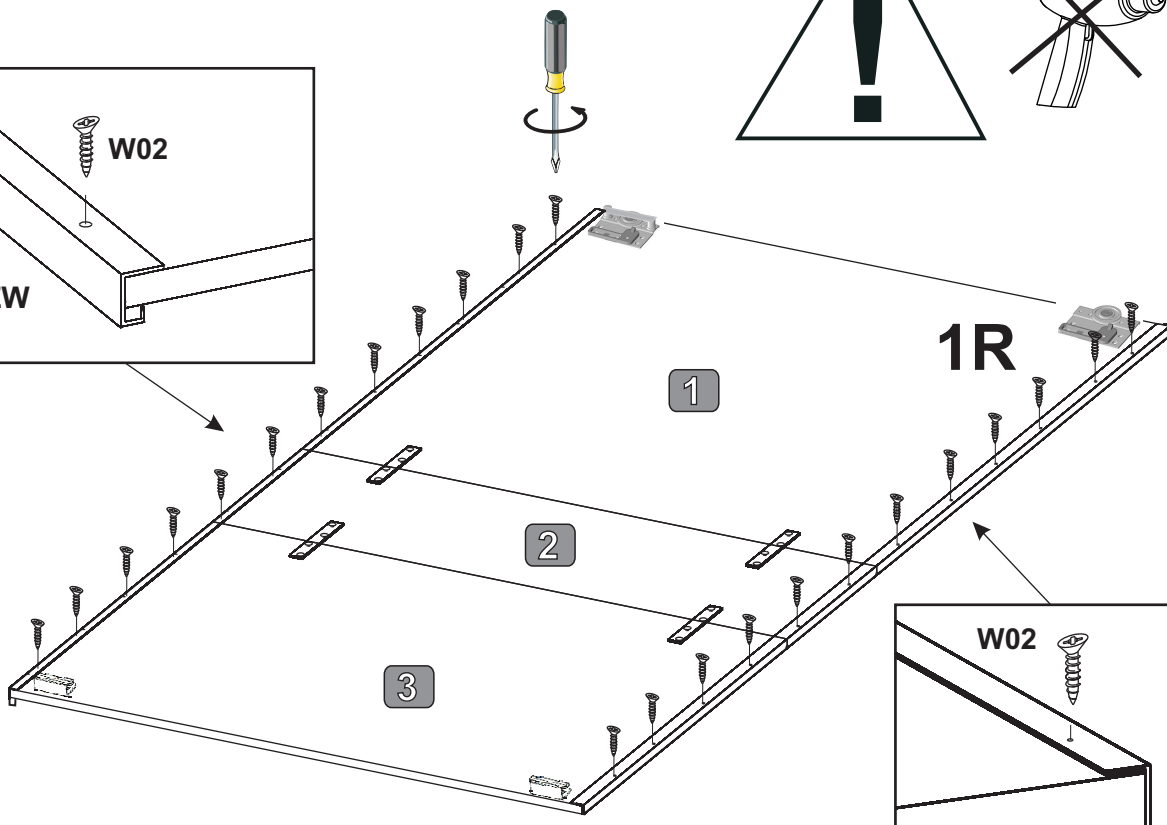
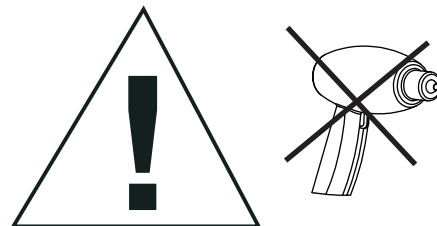
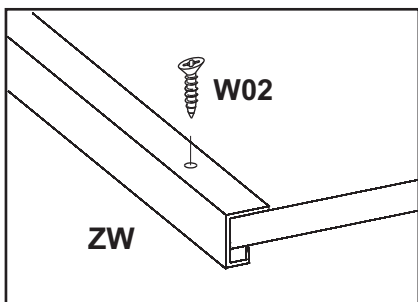
## 26



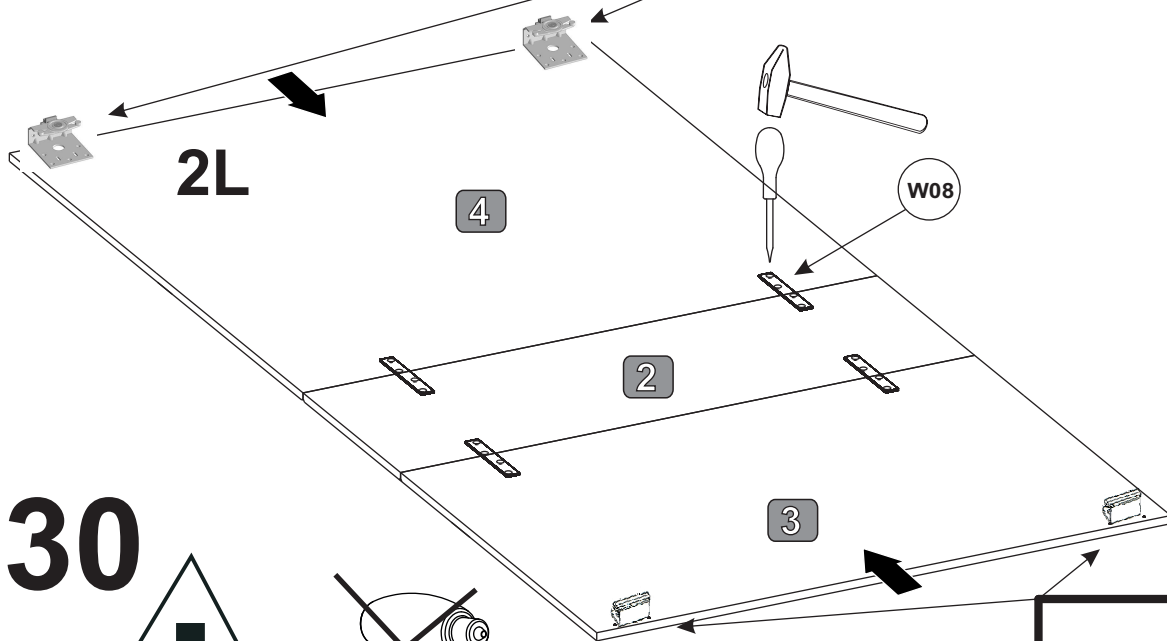
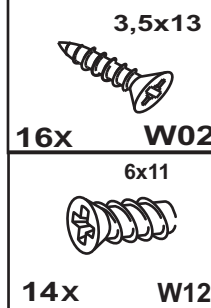
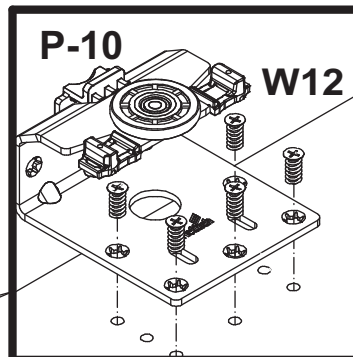
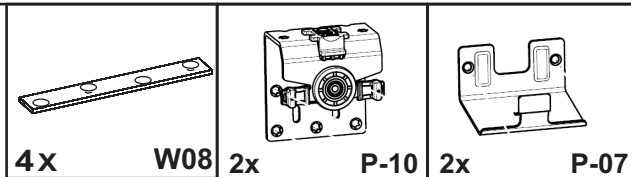
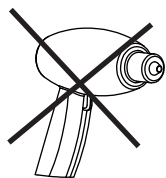
## 27



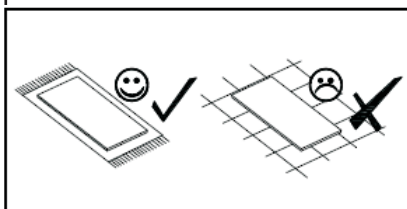
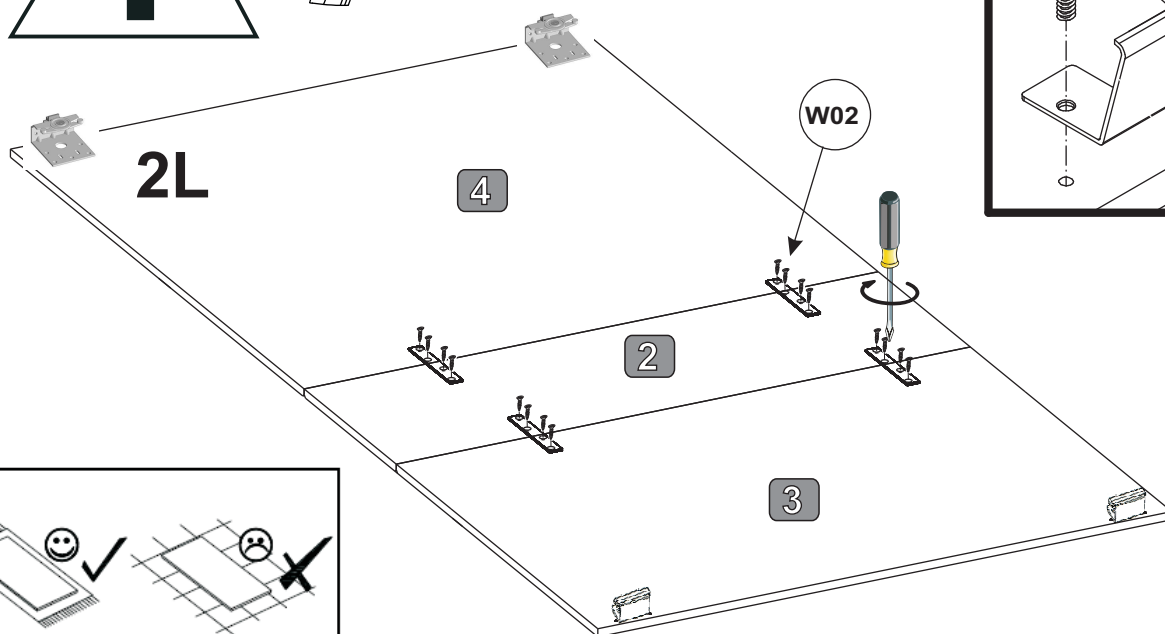
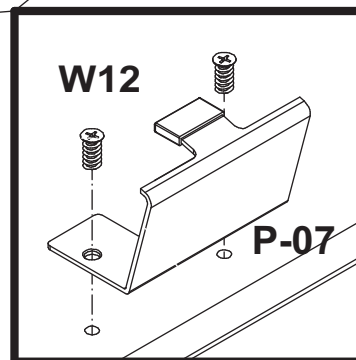
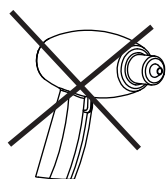
## 28



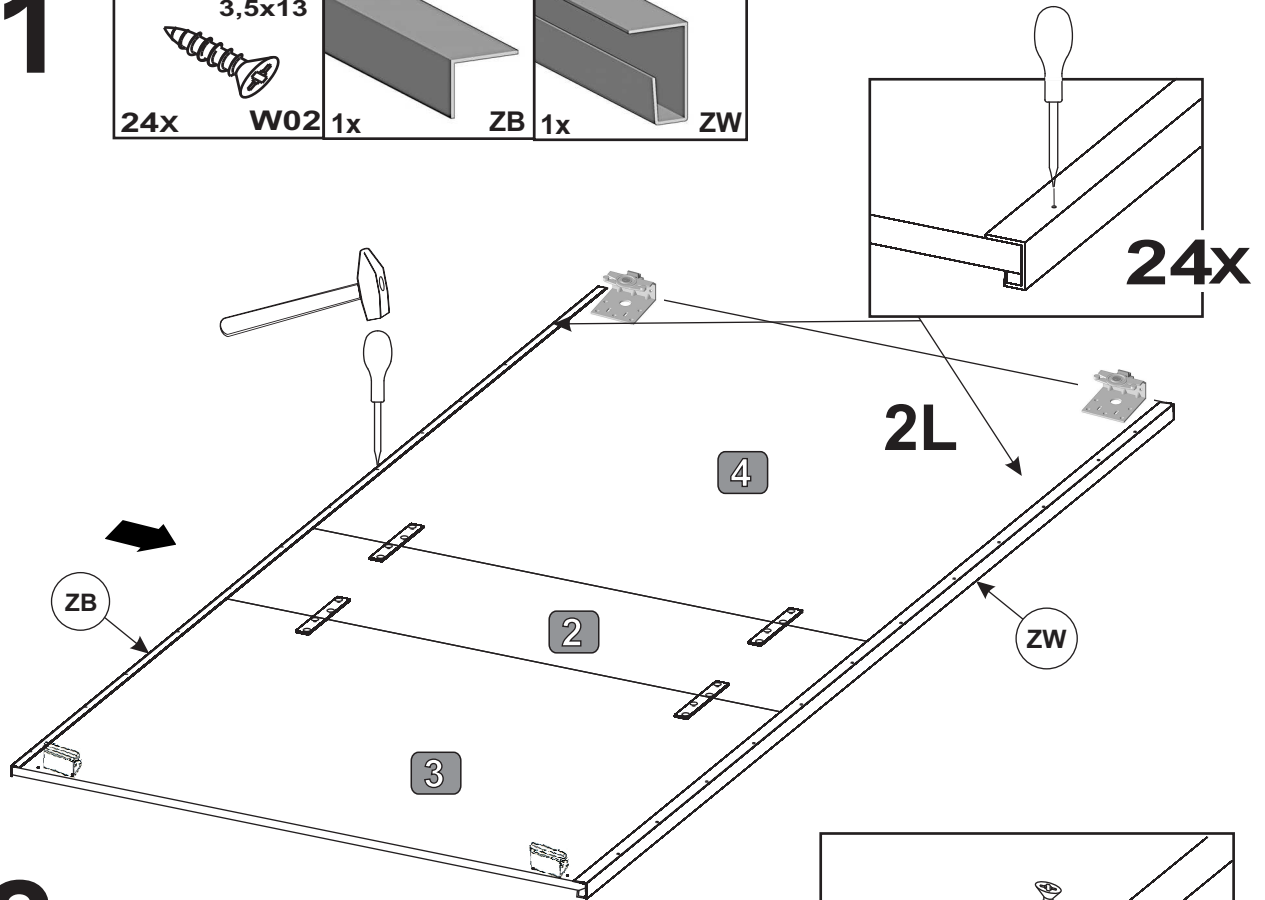
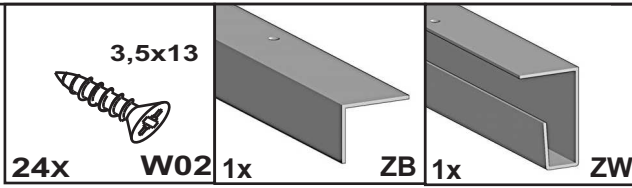
## 29



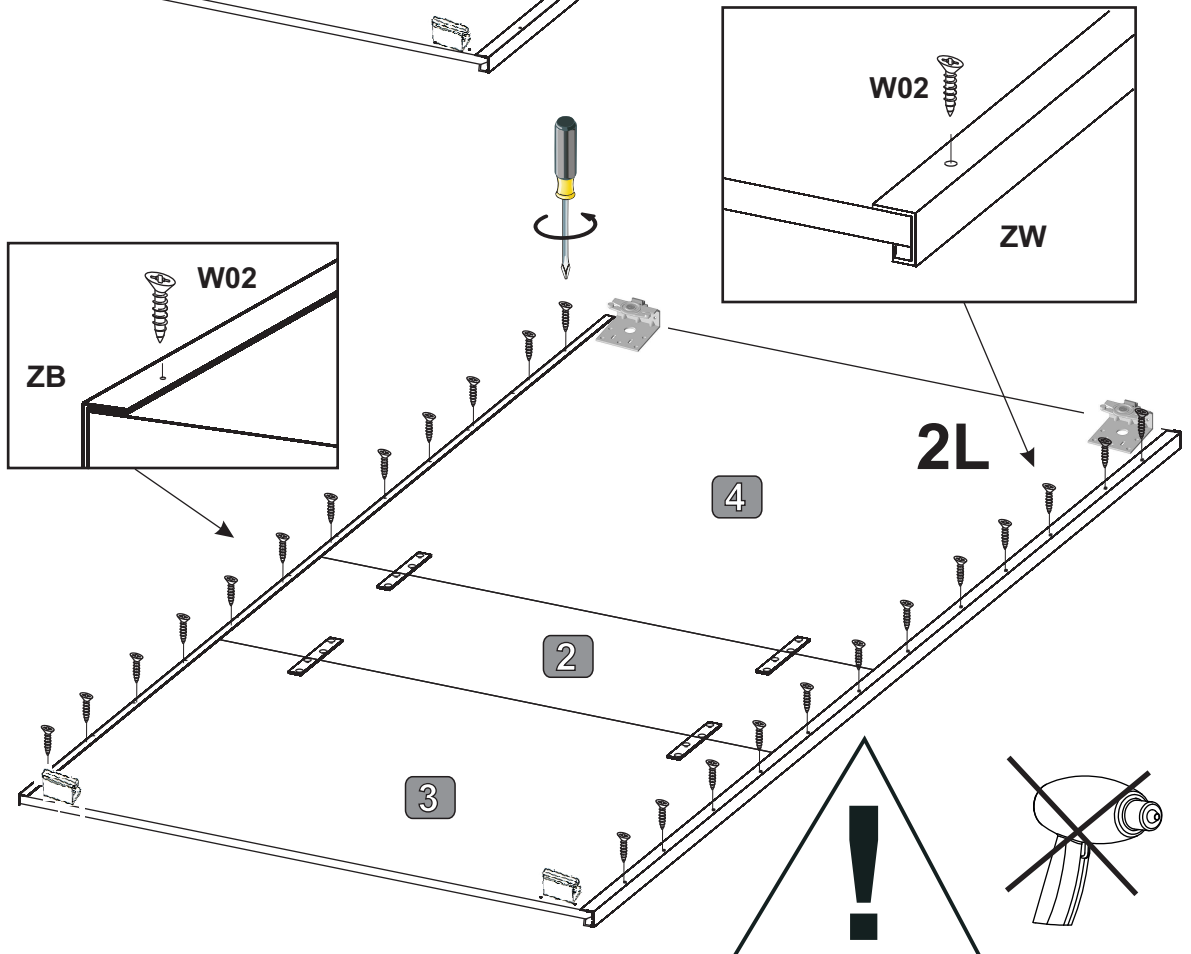
## 30



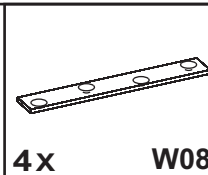
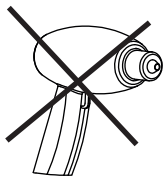
## 31



## 32

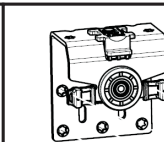


## 33



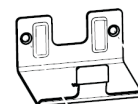
4x

W08



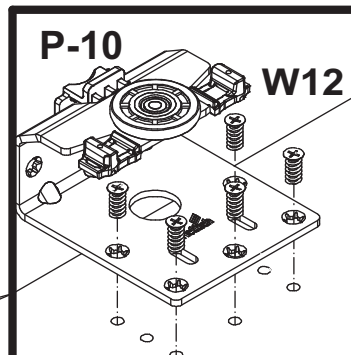
2x

P-10



2x

P-07



3,5x13



16x

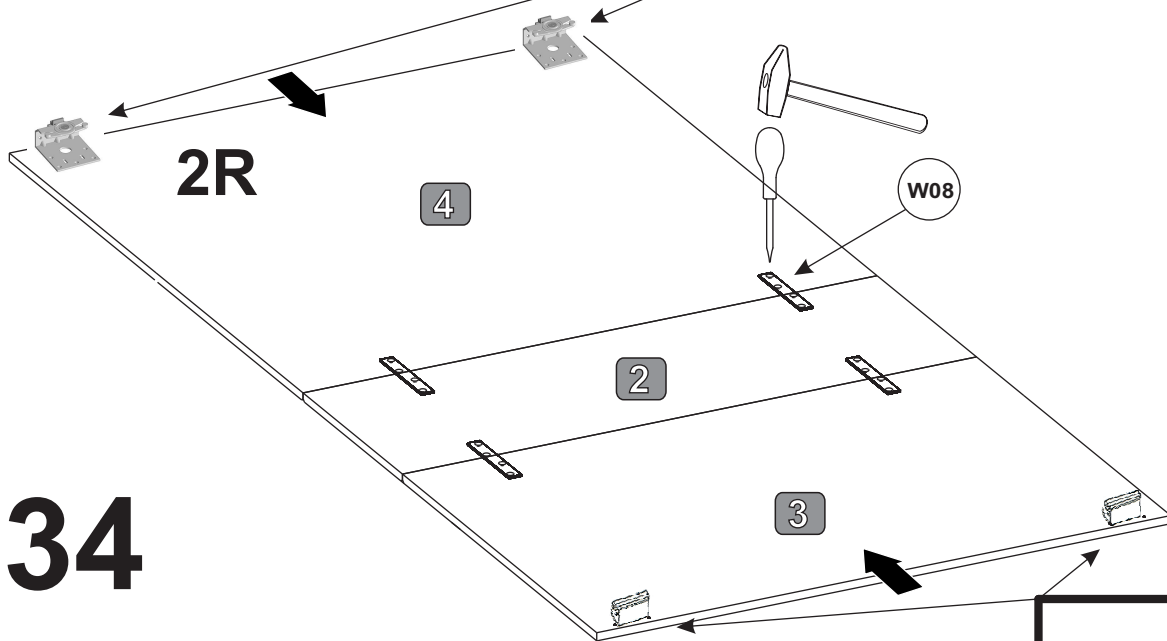
W02

6x11

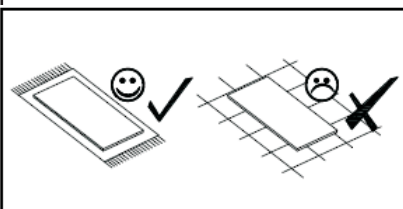
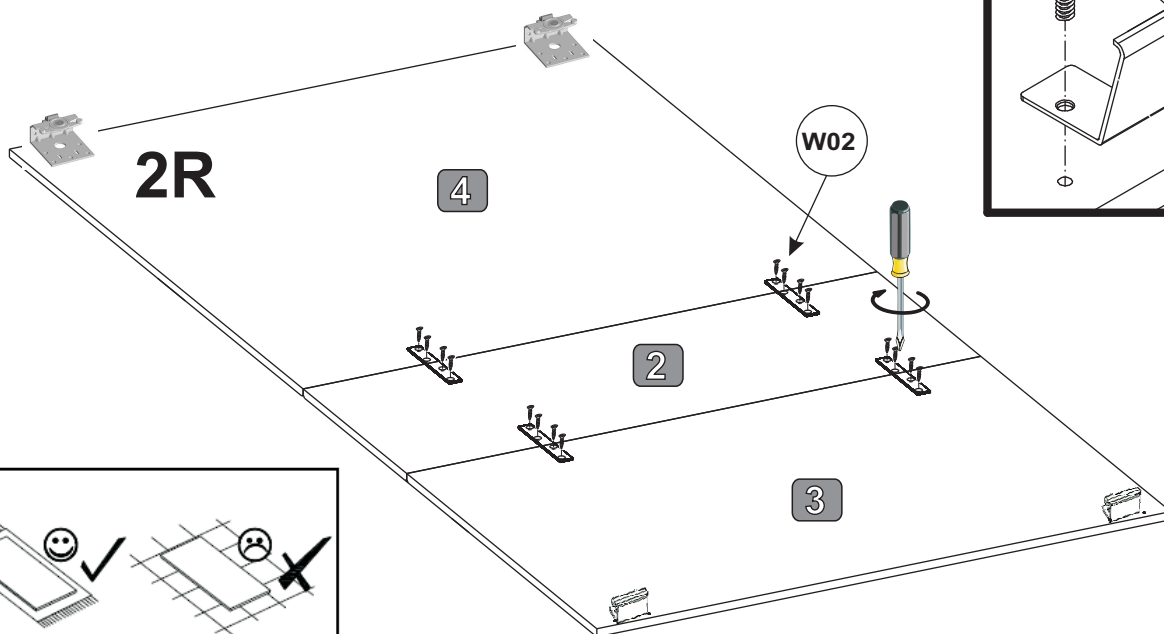
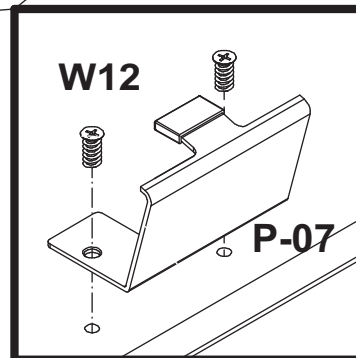


14x

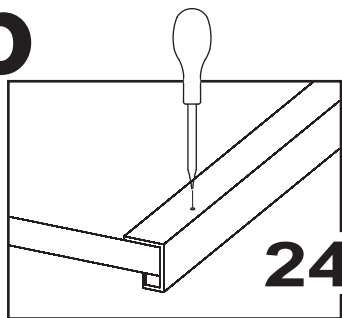
W12



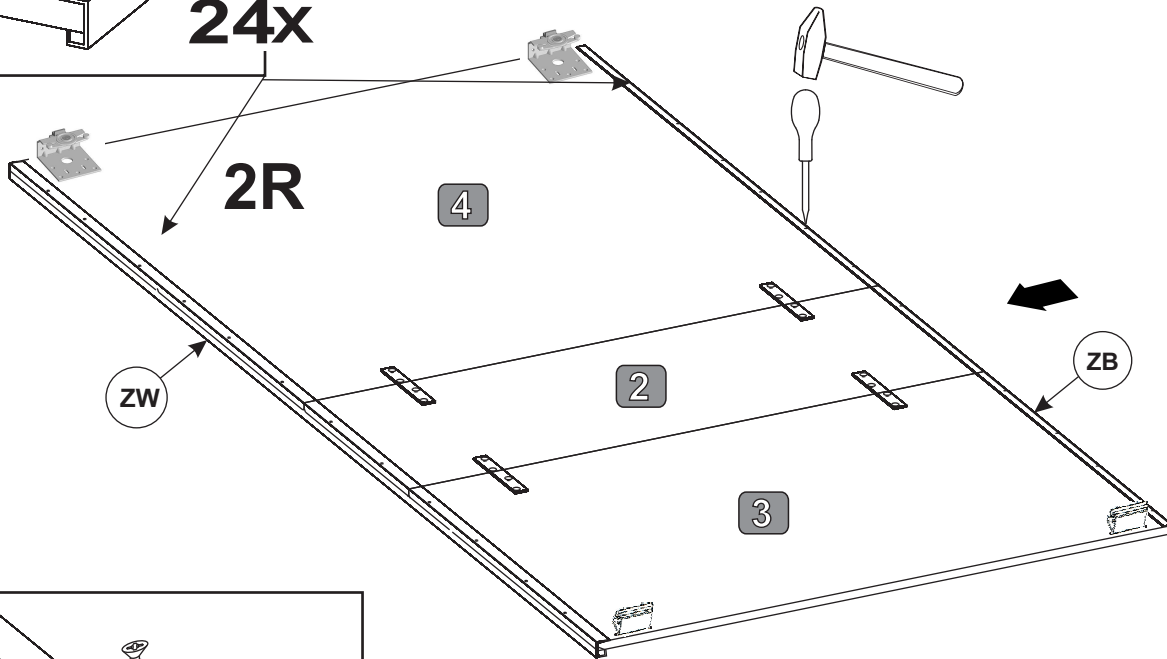
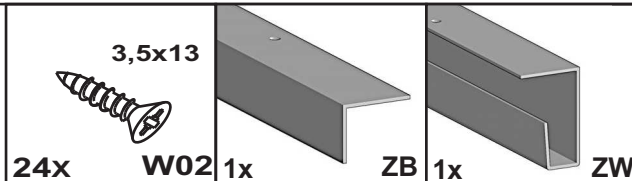
## 34



## 35



24x



2R

4

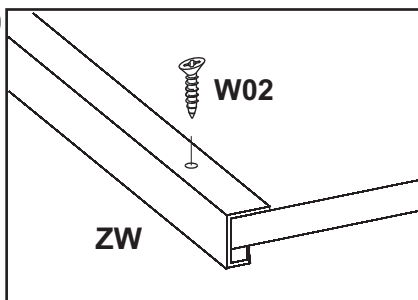
2

3

ZW

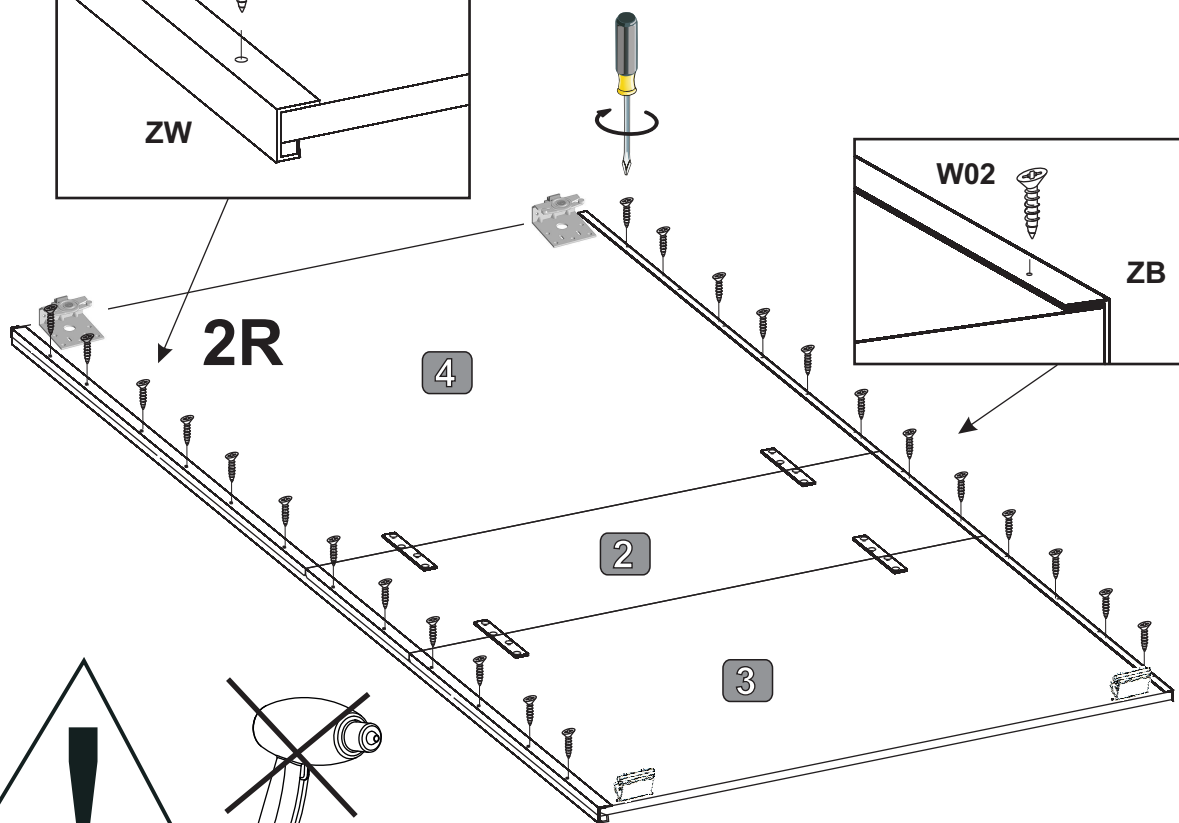
ZB

## 36



ZW

W02



2R

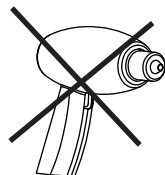
4

2

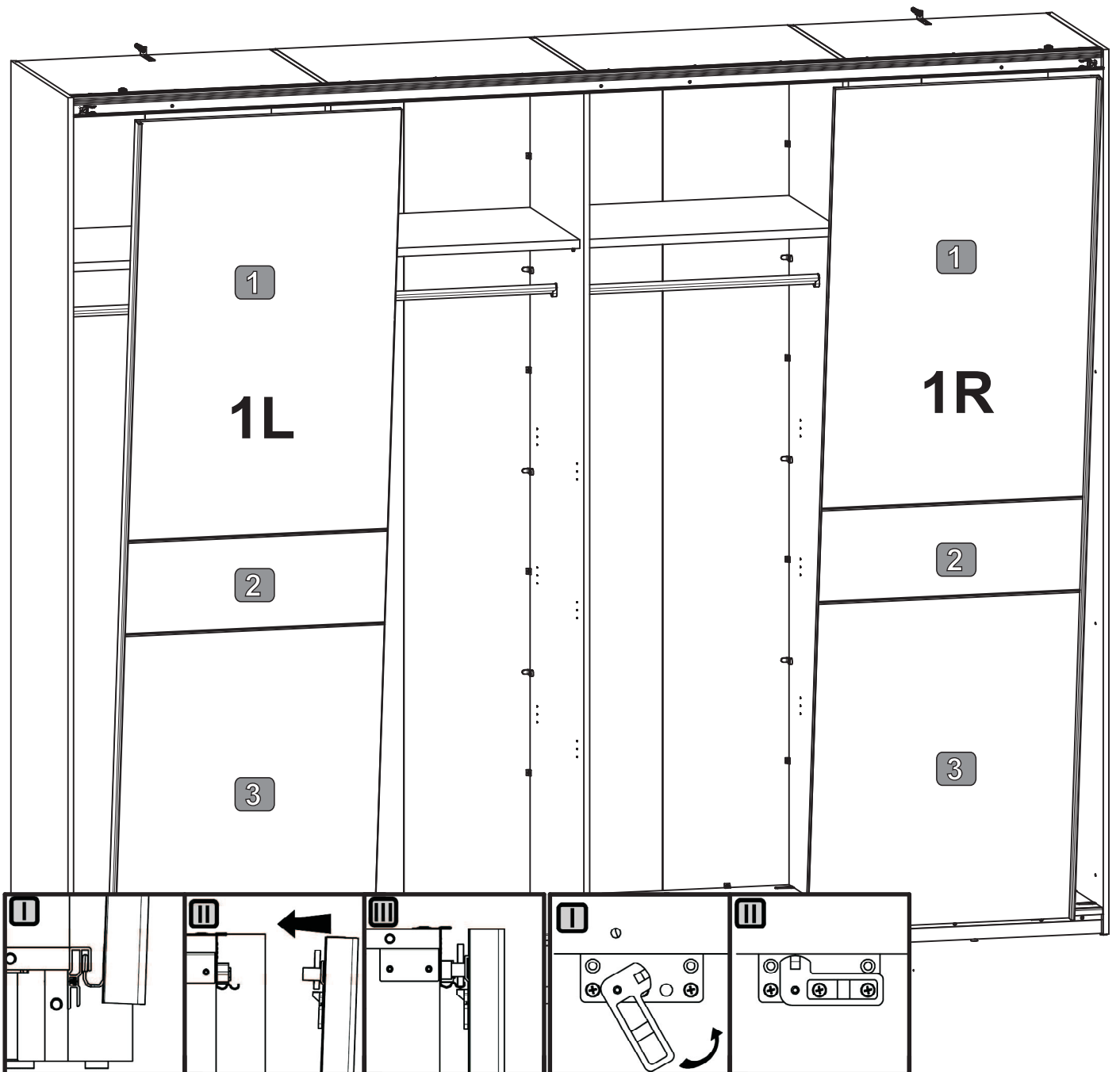
3

W02

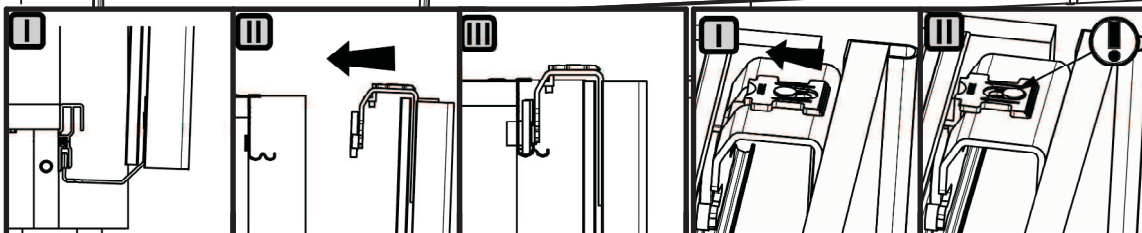
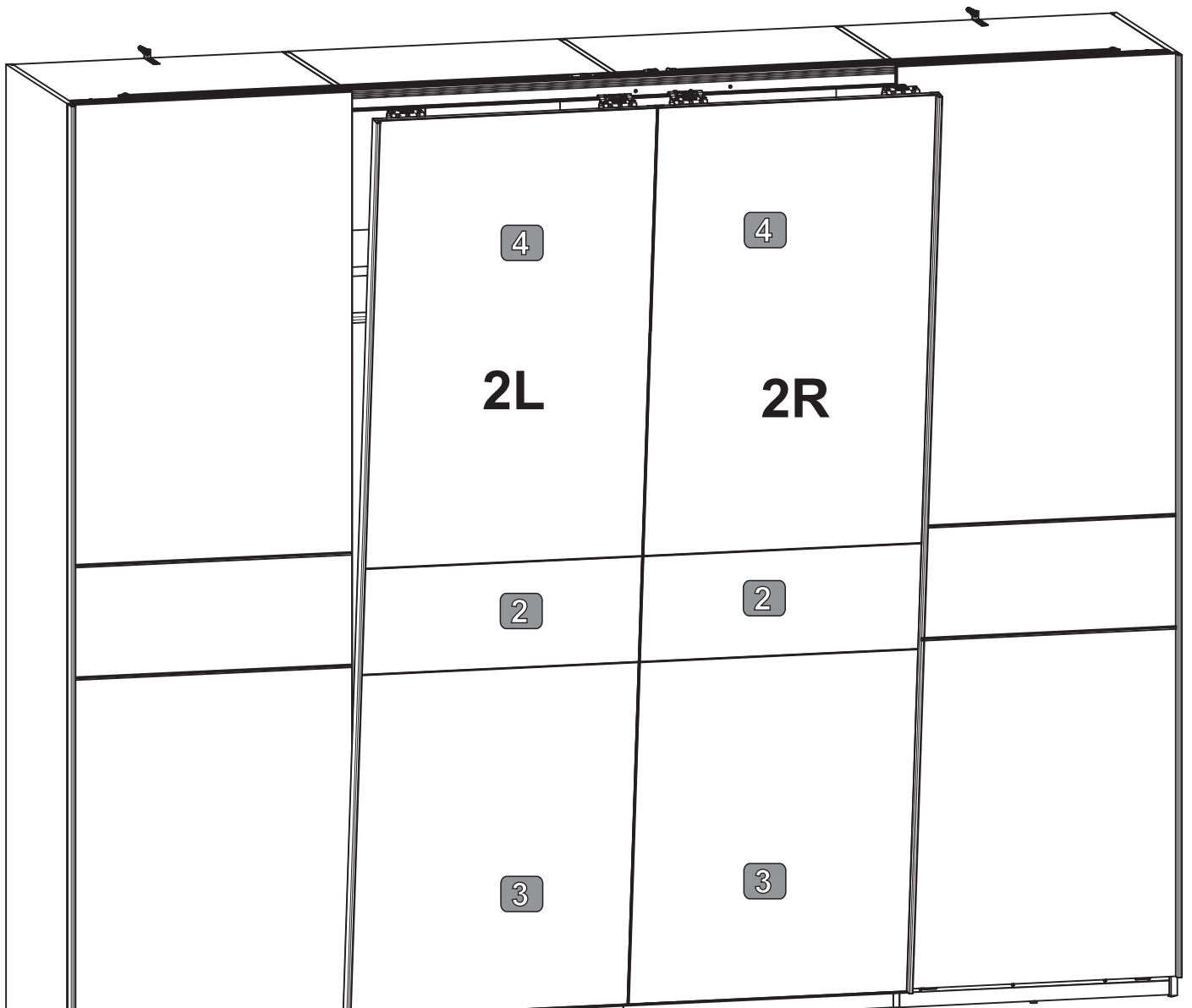
ZB



37



38





# 39



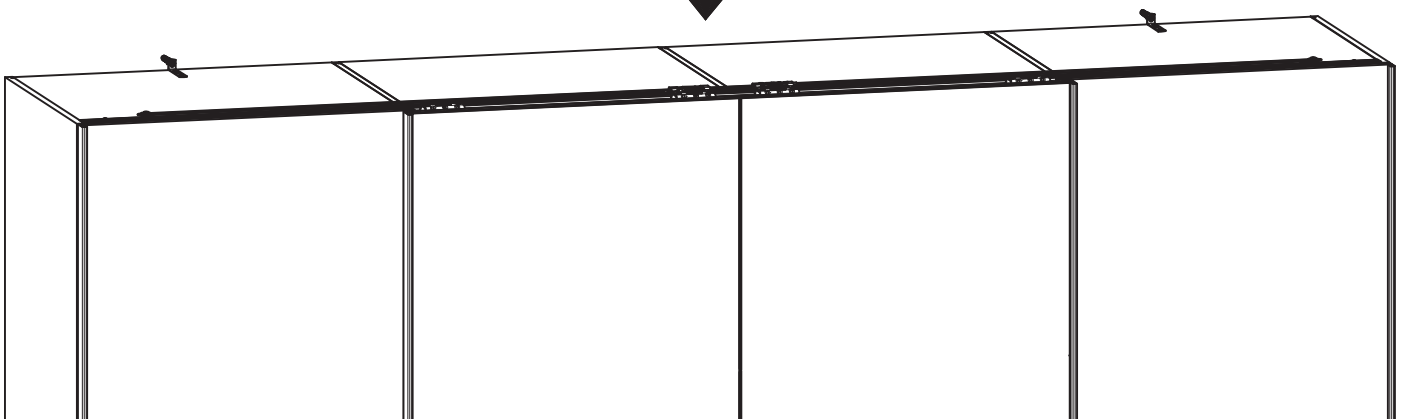
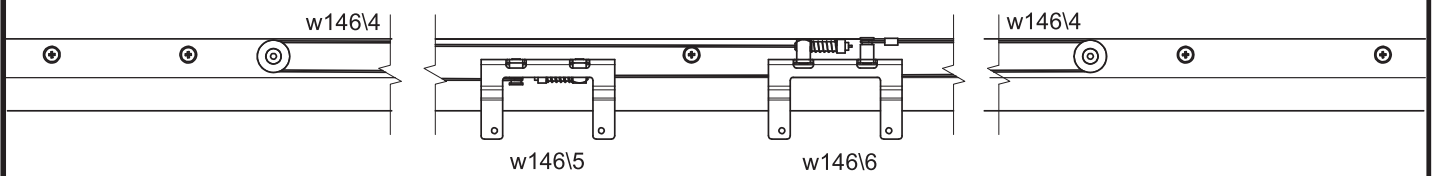
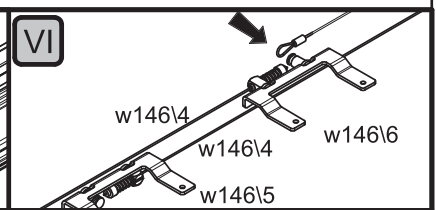
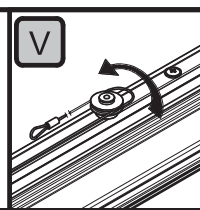
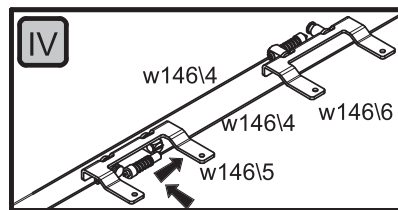
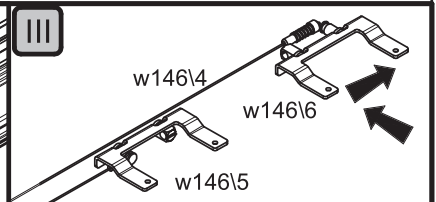
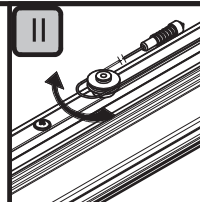
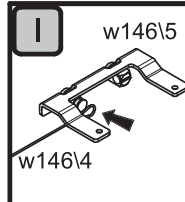
2X w146\4



1X w146\5



1X w146\6



**40**



**4 x**

**j154**

