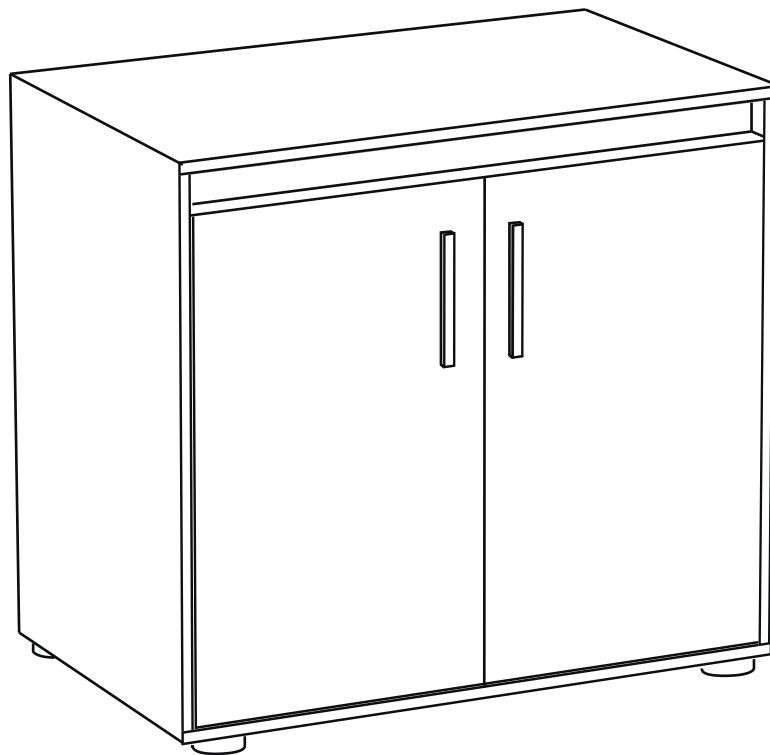
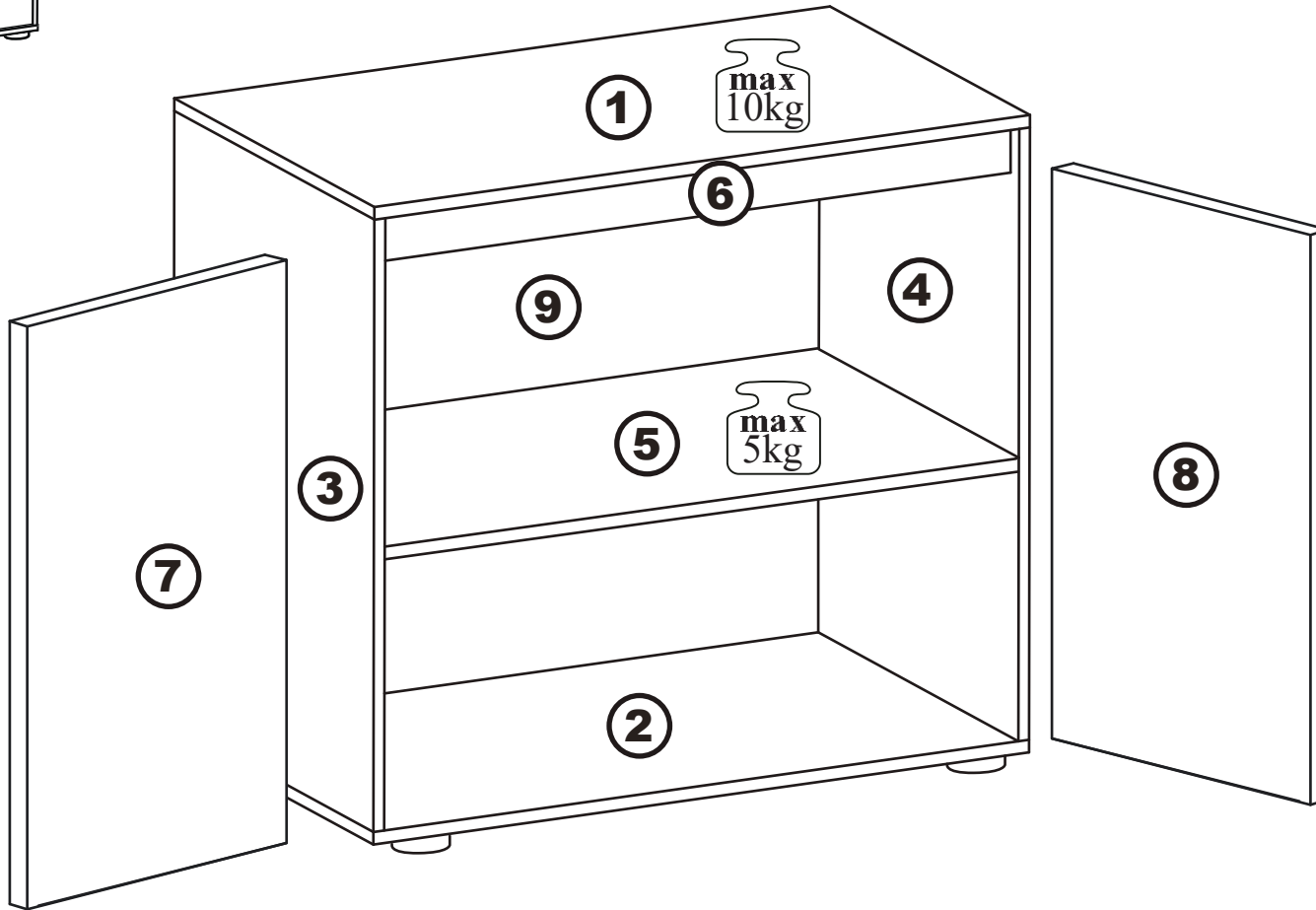
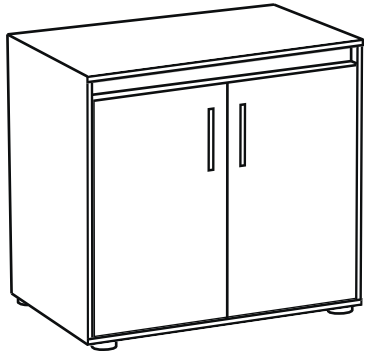


**20 min**



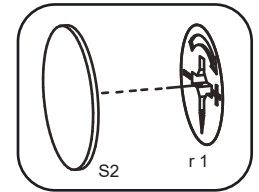
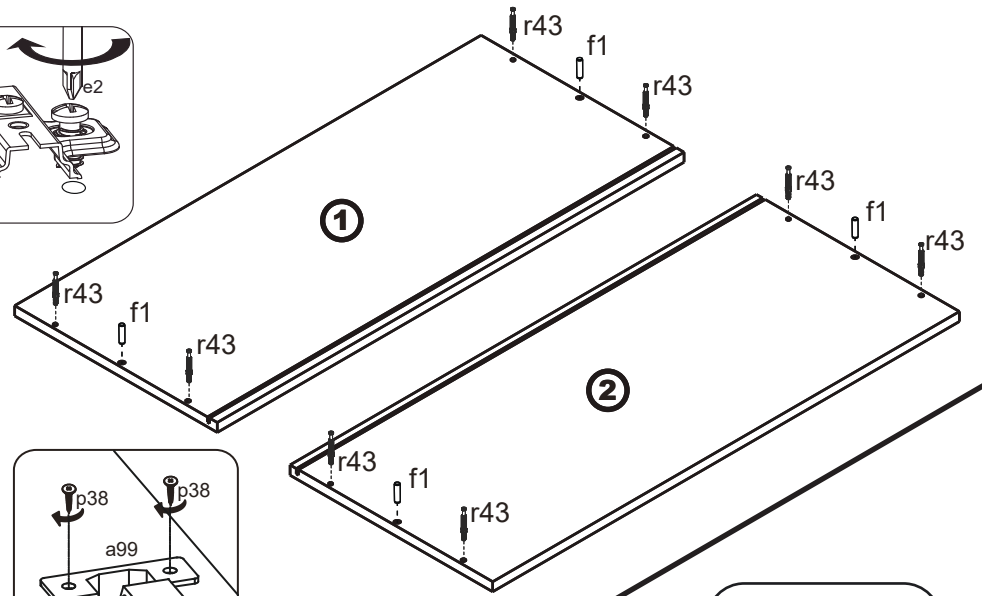
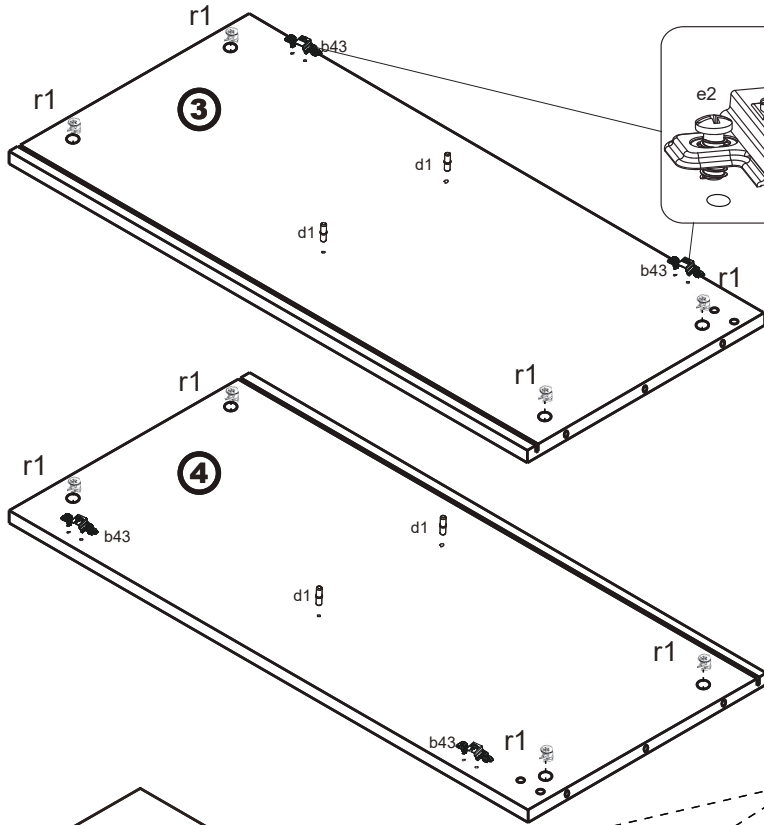
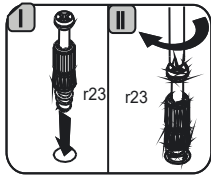
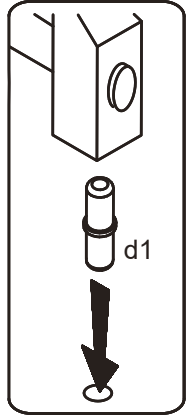
4x  b43	1x  φ8x50 mm f35	1x  86x21x15/1,5mm n14/2	1x  φ5x50 mm p18
4x  φ48/10mm k43	8x  l2	4x  F5*16 d1	10x  φ3x16 mm p55
2x  L=96/128 mm c235	8x  φ8x30 mm f1	8x  φ15x12mm #16 r1	8 x  30/11 r23
8x  φ3,5x16 mm p38	8x  s2	8x  φ6,3x13 mm e2	4x  a99
8x  φ4x25 mm p9			



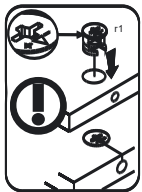
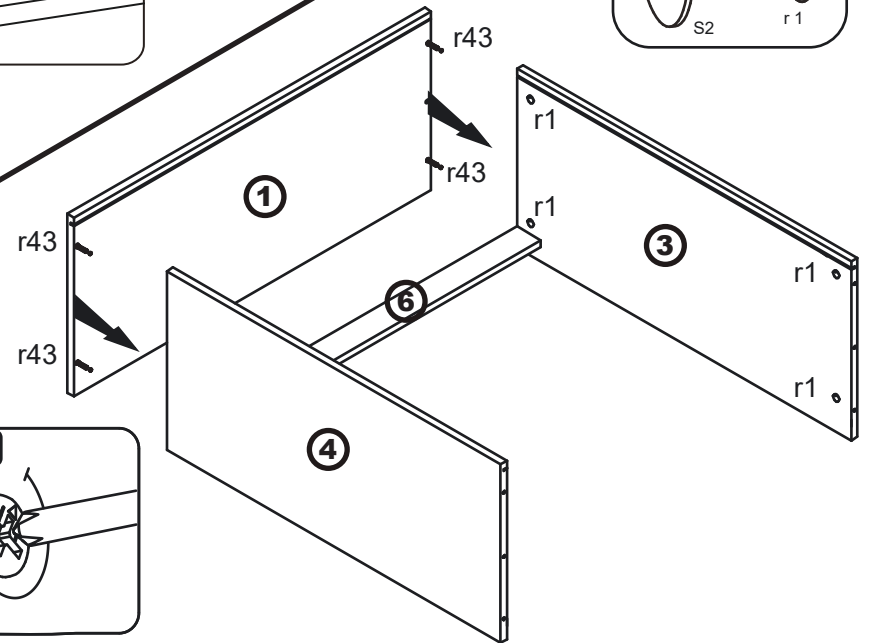
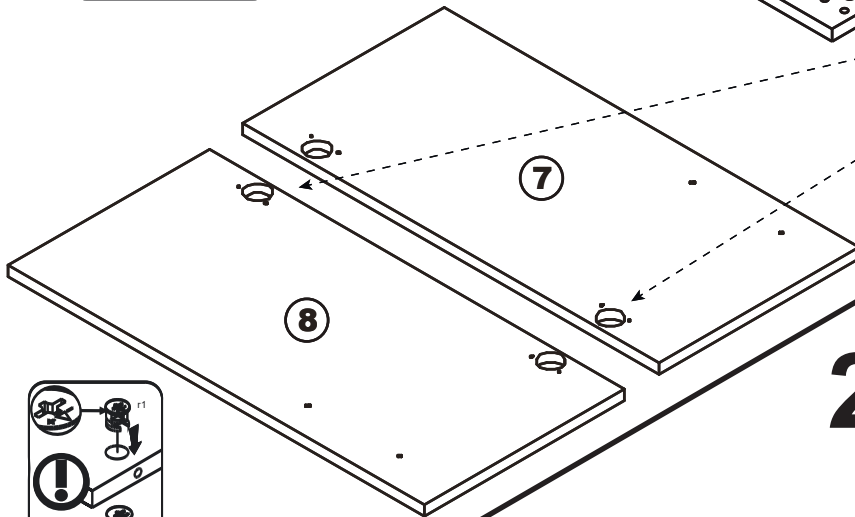
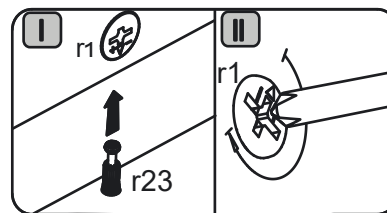
A	C (mm)		Colli
1	921	341	1/1
2	921	341	1/1
3	796	341	1/1
4	796	341	1/1
5	887	310	1/1
6	887	70	1/1
7	439	732	1/1
8	439	732	1/1
9	900	404	1/1



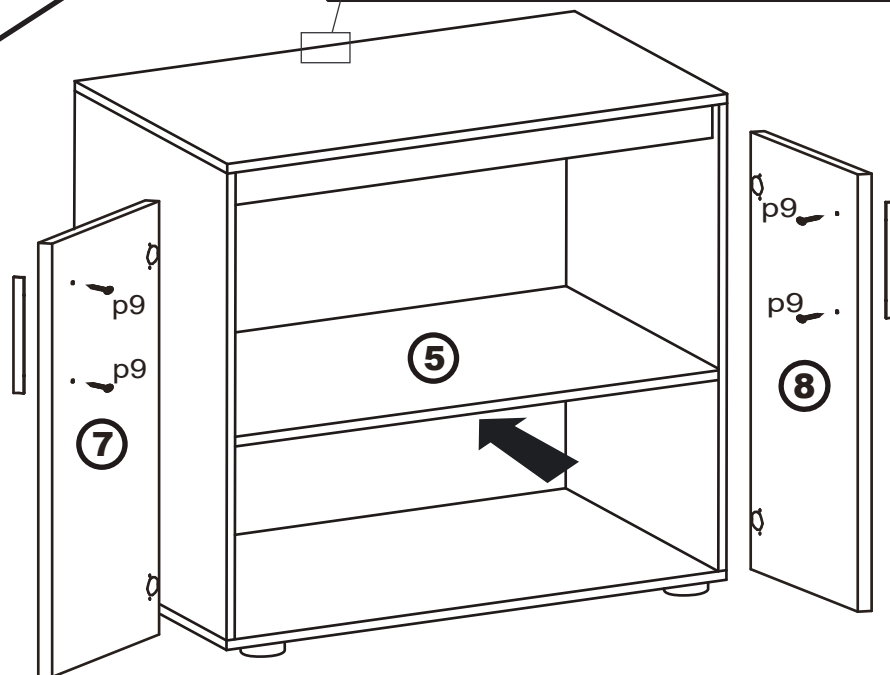
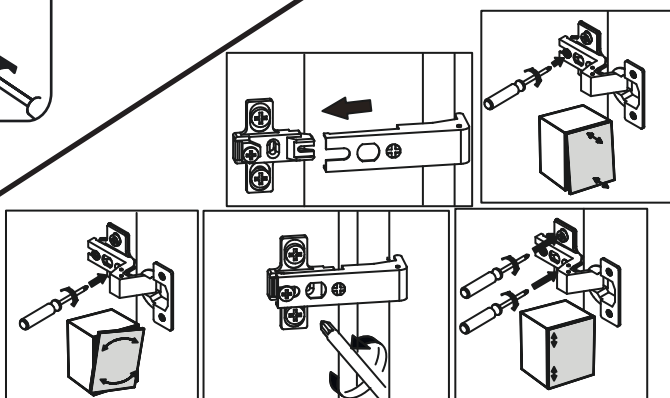
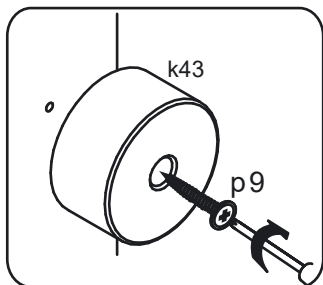
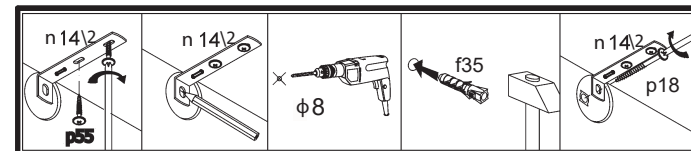
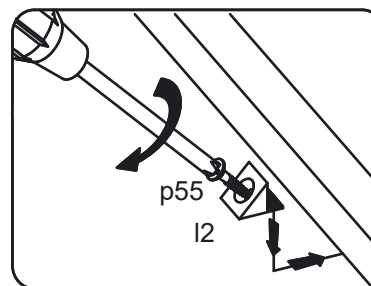
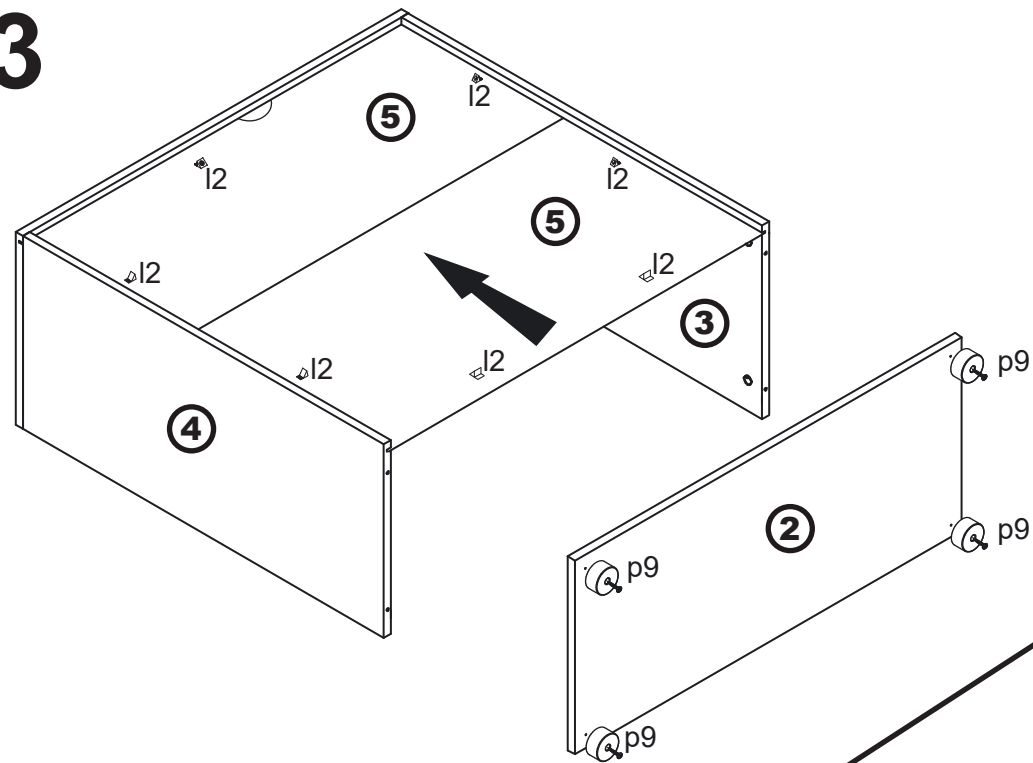
1



2



3



4