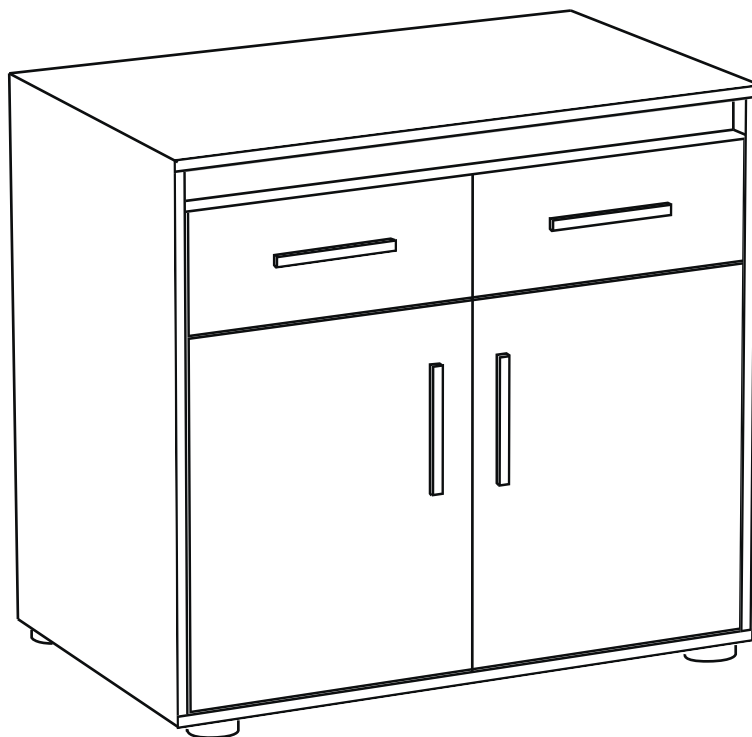
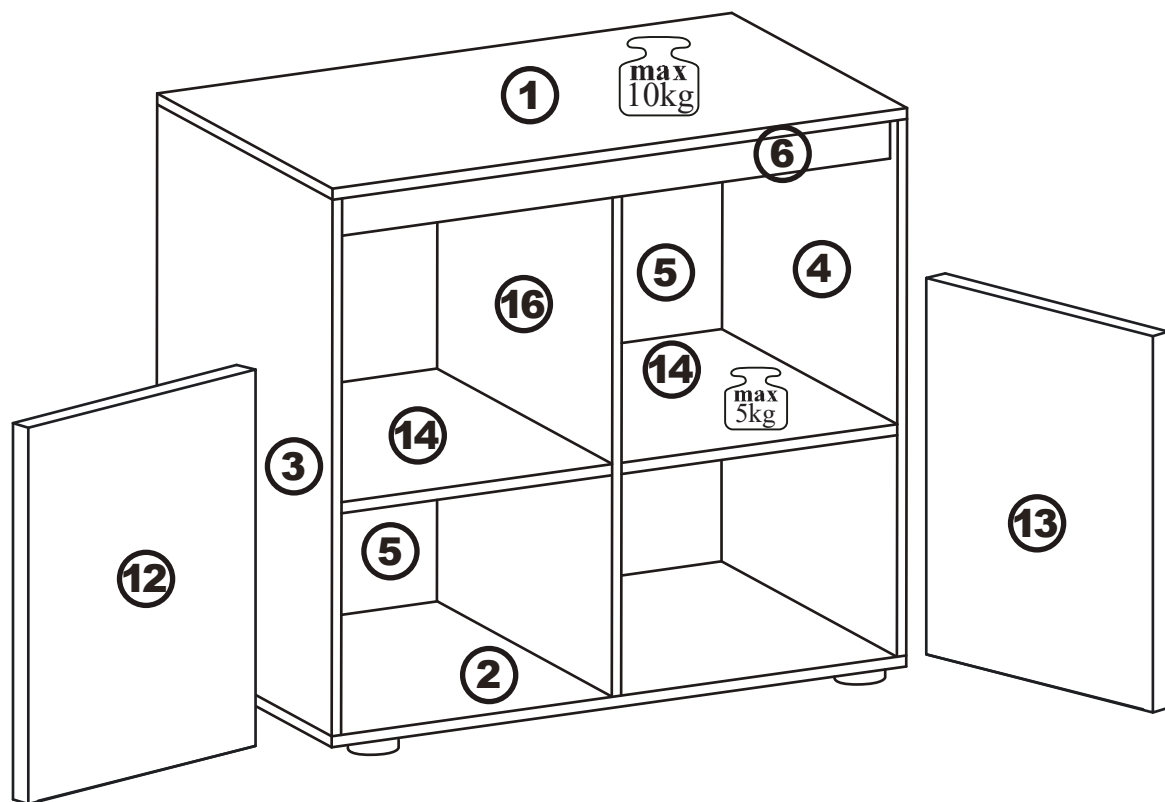


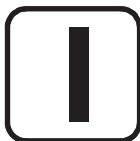
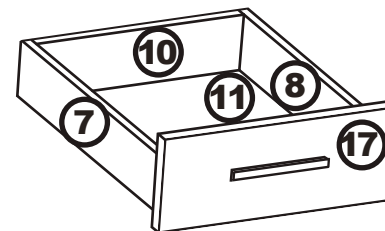
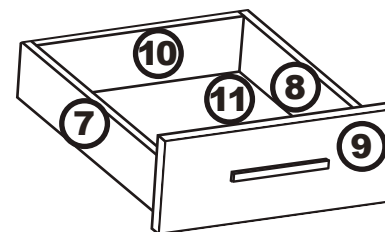
25 min



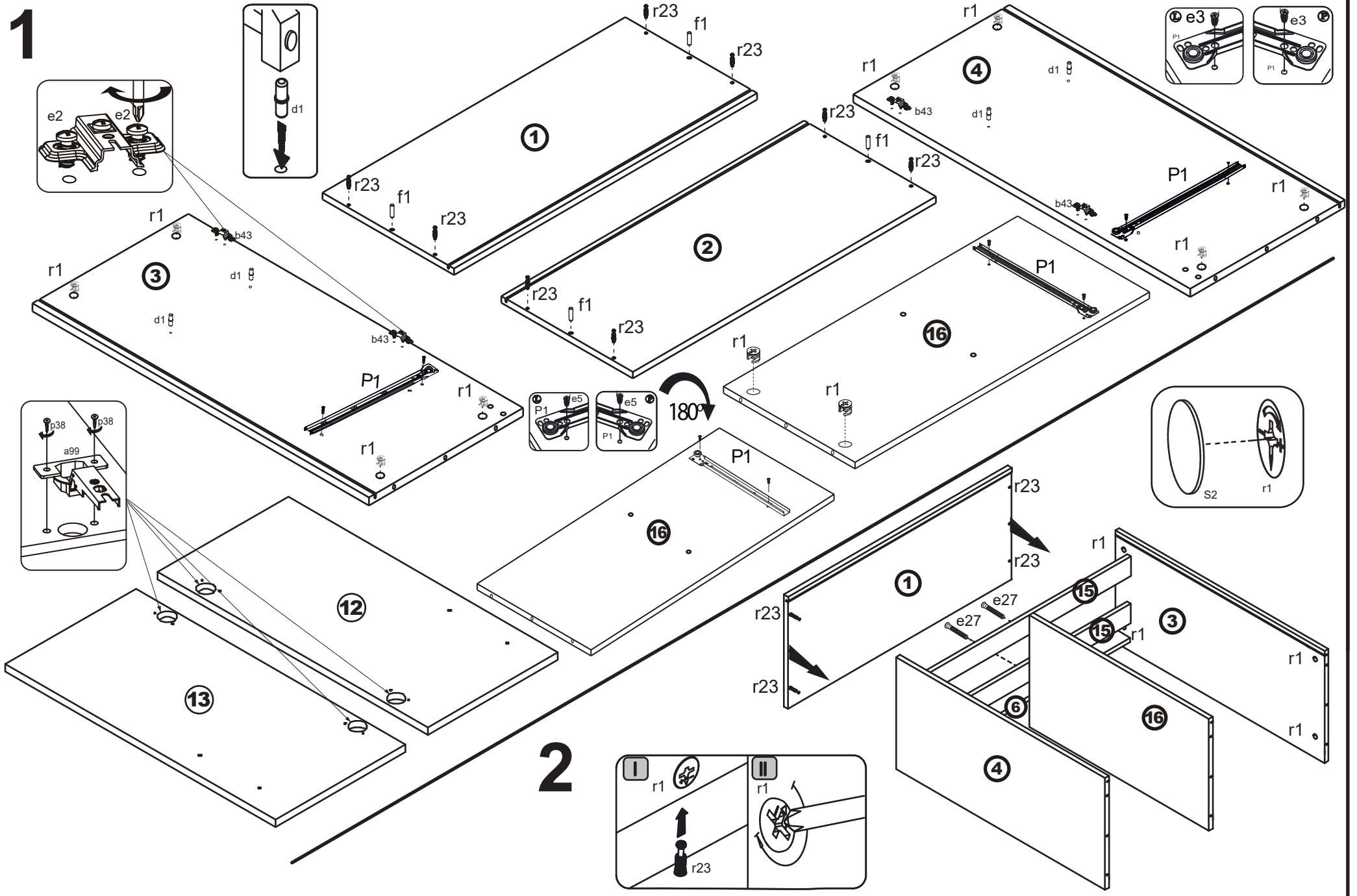
4x b43	8x φ3,5x16 mm p38	8x F5*16 d1	8x φ 6,3x13 mm e2	1x φ8x50 mm f35	1x 86x21x15/1,5mm n14/2	1x φ5x50 mm p18	16x 1,2x20 g4	4x a99	8x 2x20 g3	2x 350mm p1		
4x φ48/10mm k43	8x l2	4x 6,0x08 e5	18x φ3 x16 mm p55	4x L=96/128 mm c235	17x φ8x30 mm f1	18x φ15x12mm #16 r1	18x 30/11 r23	12x φ6,4x50 mm e27	14x n16 s2	4x φ6x13 mm e3	1x z1	12x φ4x25 mm p9



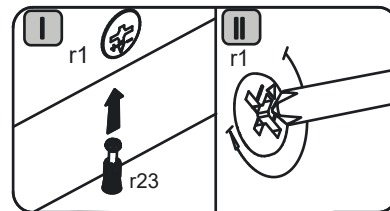
A	C (mm)		Colli
1	921	341	1/1
2	921	341	1/1
3	796	341	1/1
4	796	341	1/1
5	900	404	1/1
6	887	62	1/1
7	300	100	1/1
8	300	100	1/1
9	439	180	1/1
10	379	100	1/1
11	410	306	1/1
12	439	548	1/1
13	439	548	1/1
14	435	310	1/1
15	888	80	1/1
16	718	310	1/1
17	439	180	1/1



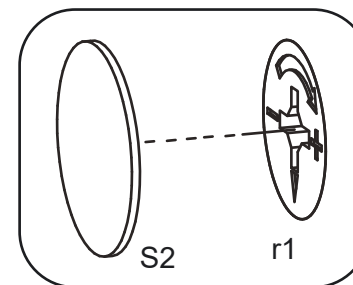
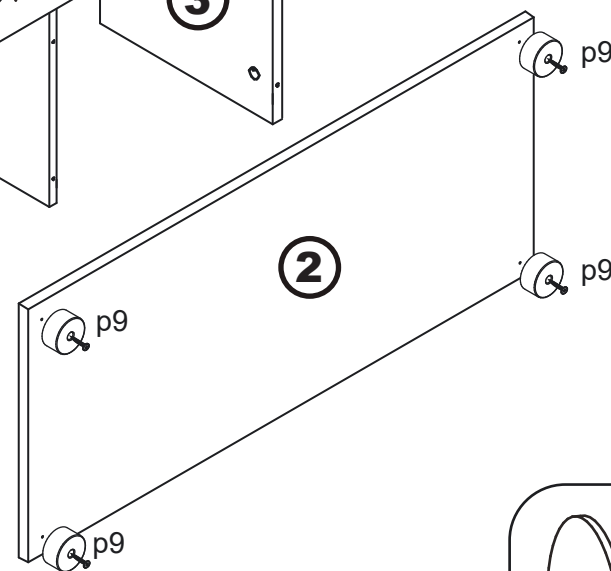
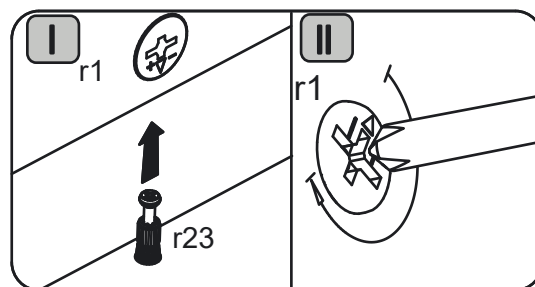
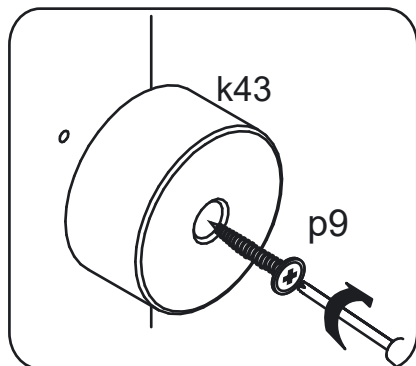
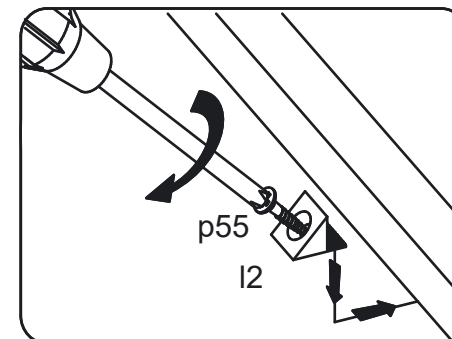
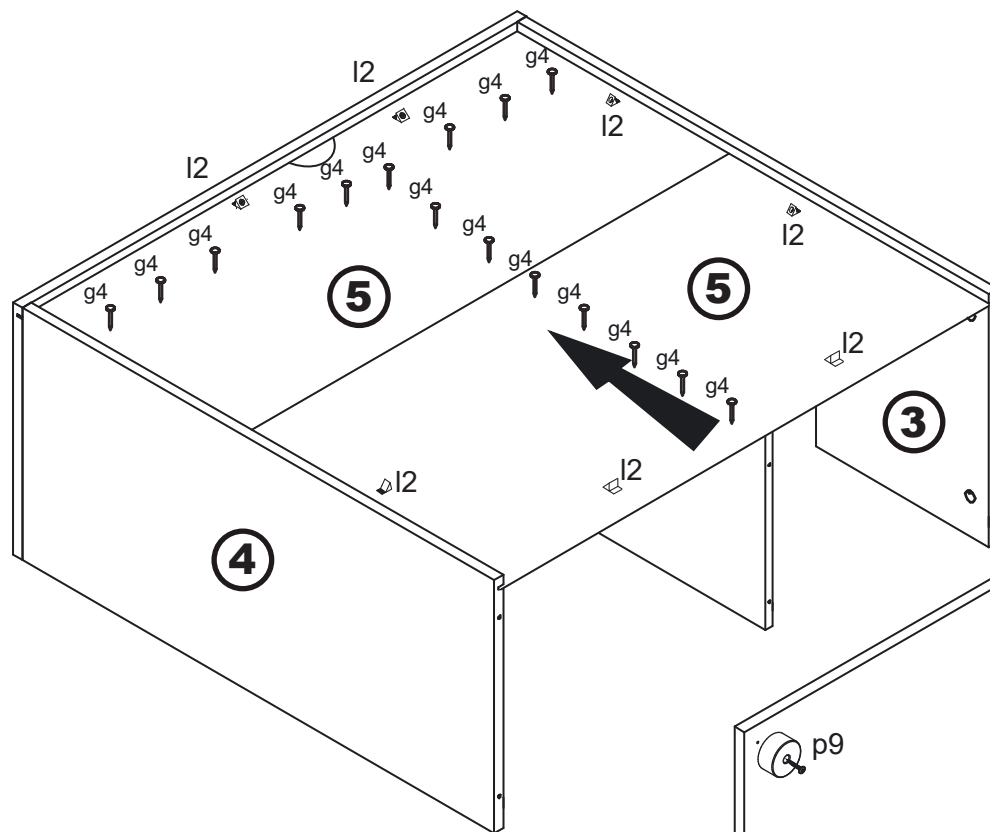
1



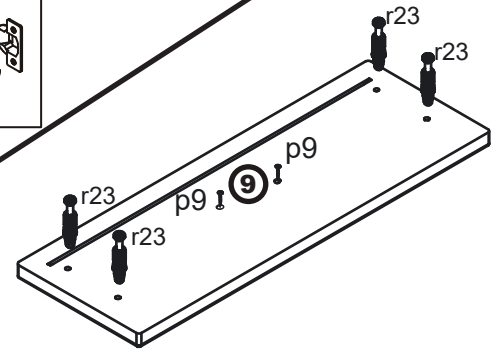
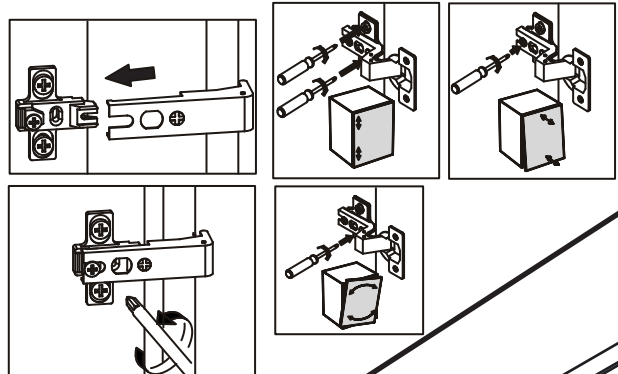
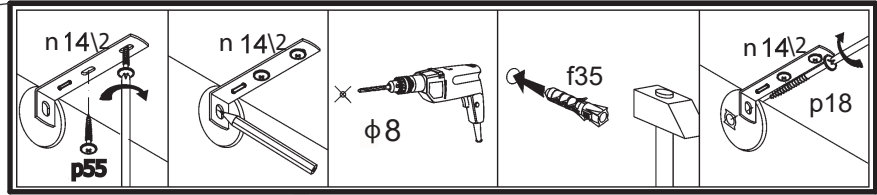
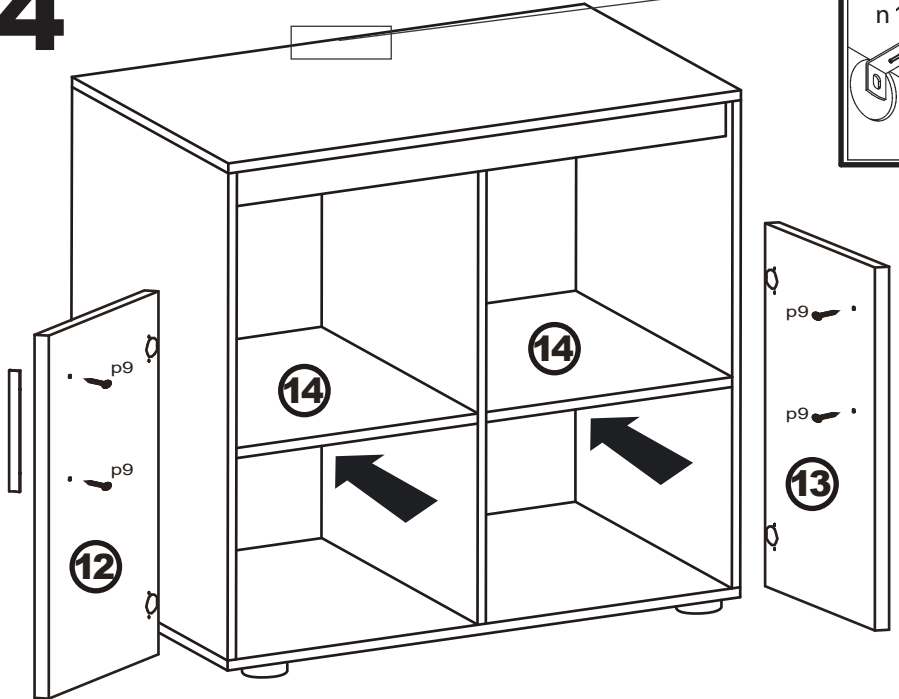
2



3



4



5

