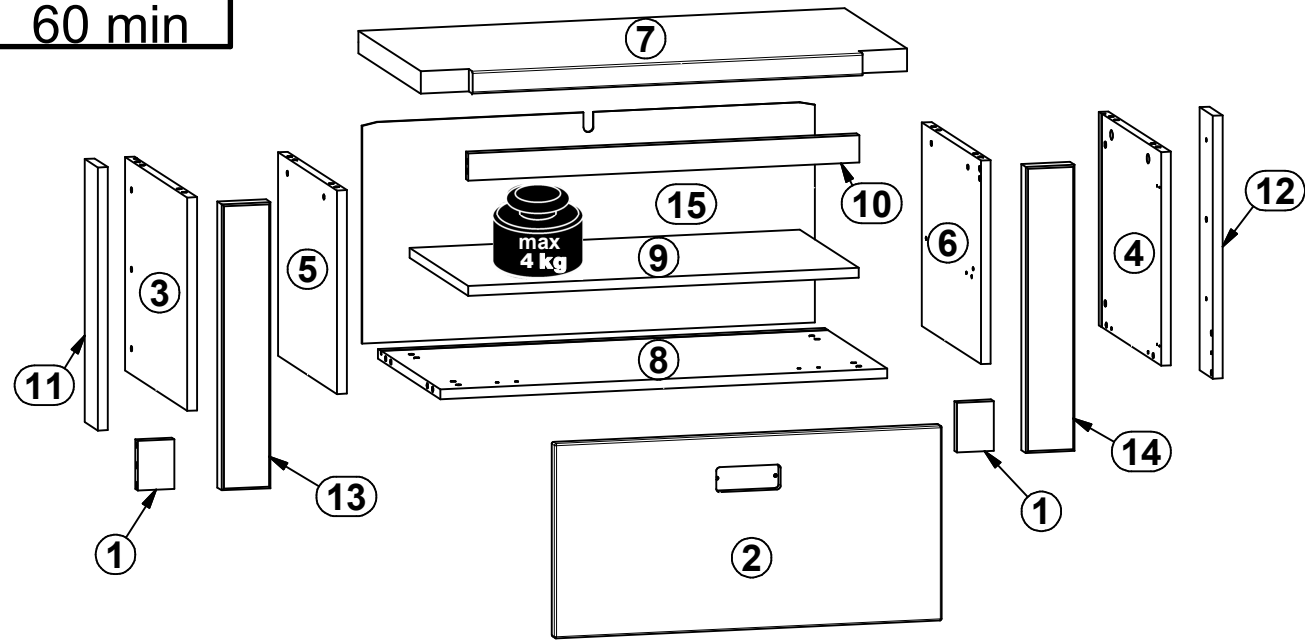
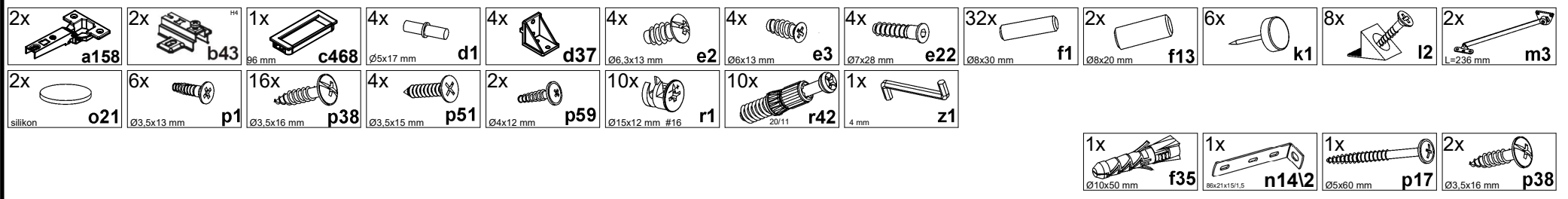
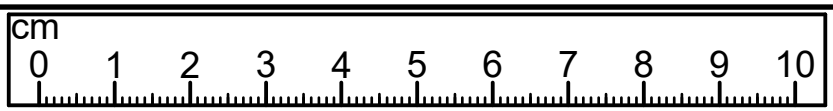
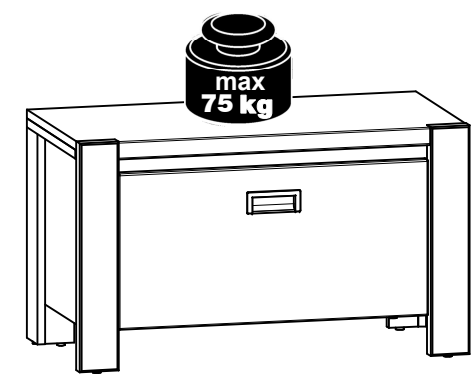


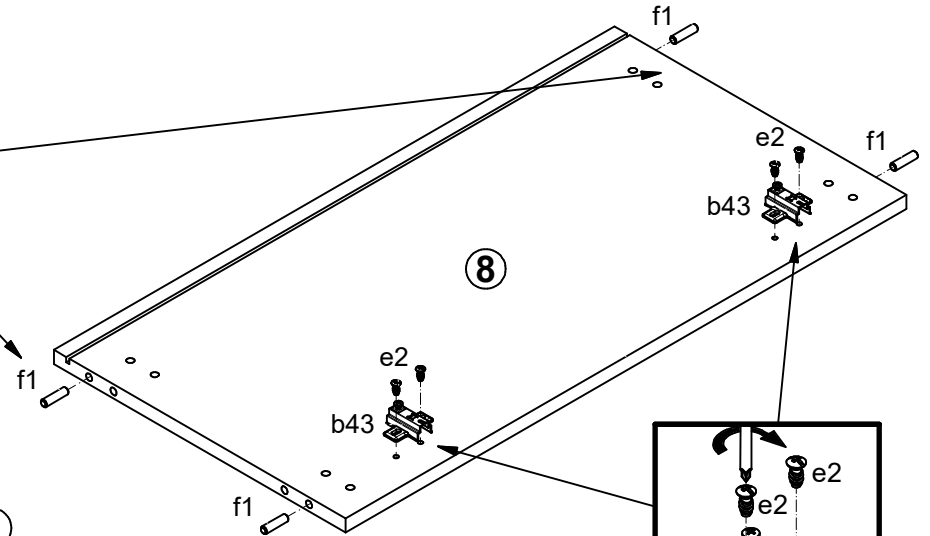
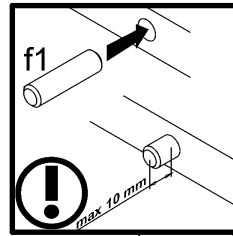
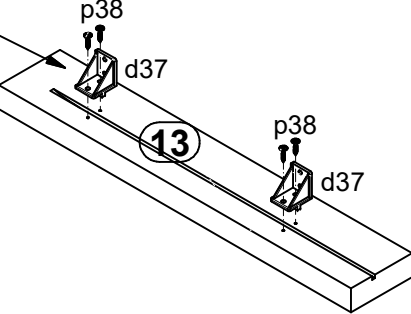
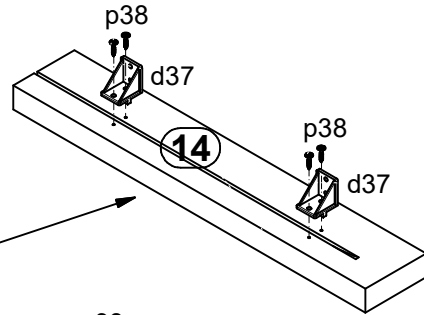
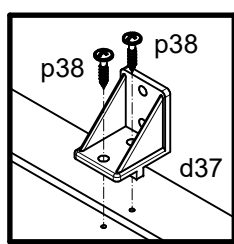

60 min



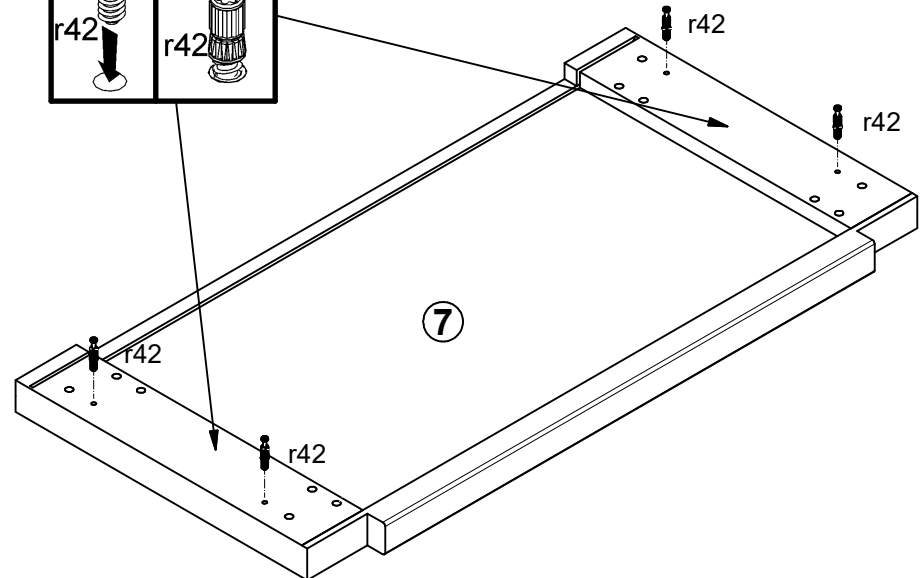
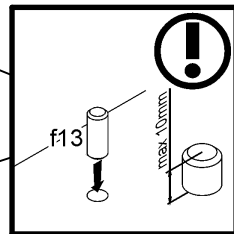
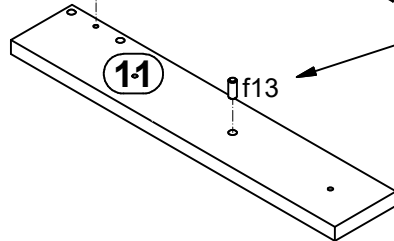
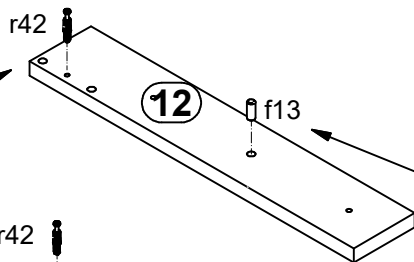
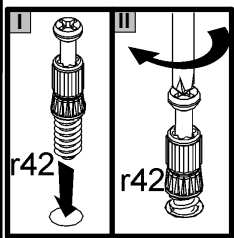
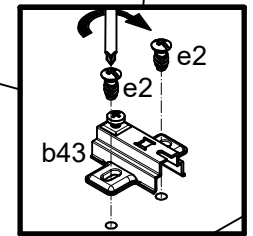
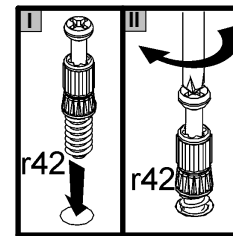
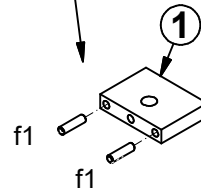
A	B	C (mm)			D
1	S378-5005	80	60	16	1/1
2	S393-0001	636	314	19	1/1
3	S393-1003	344	382	16	1/1
4	S393-1004	344	382	16	1/1
5	S393-1005	362	328	16	1/1
6	S393-1006	362	328	16	1/1
7	S393-2002	799	405	36	1/1
8	S393-3001	734	382	16	1/1
9	S393-3002	641	360	16	1/1
10	S393-4001	642	44	16	1/1
11	S393-5001	424	80	16	1/1
12	S393-5002	424	80	16	1/1
13	S393-5005	461	80	30	1/1
14	S393-5006	461	80	30	1/1
15	S393-9001	744	356	2,5	1/1



1

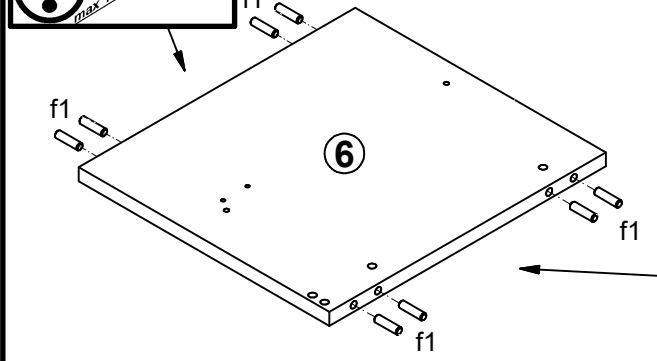
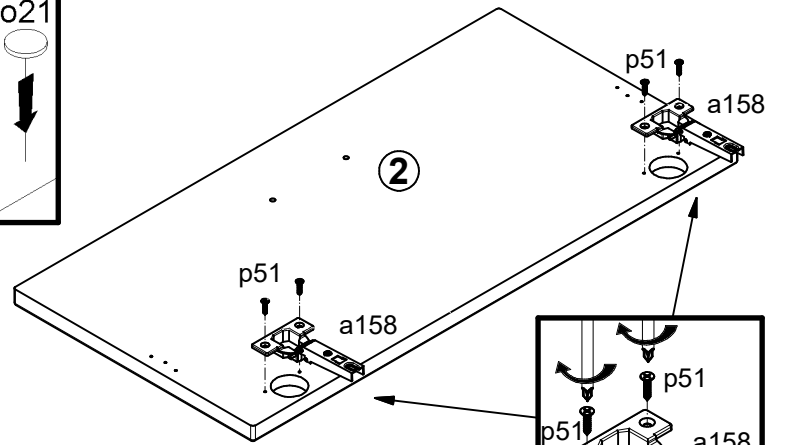
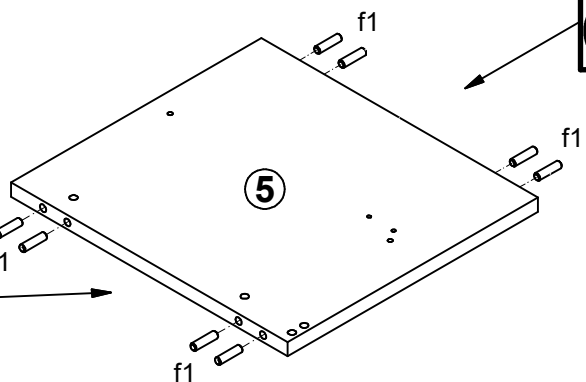
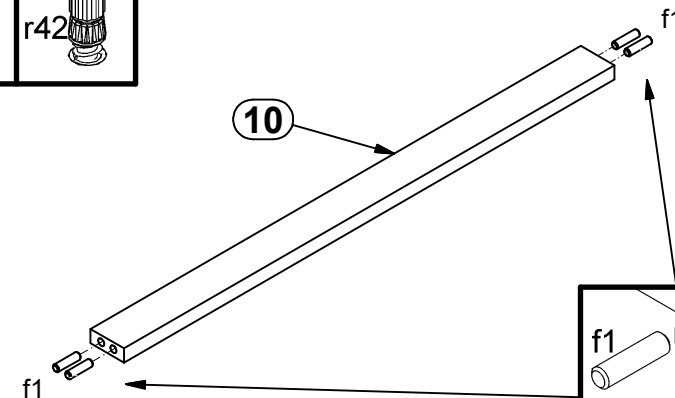
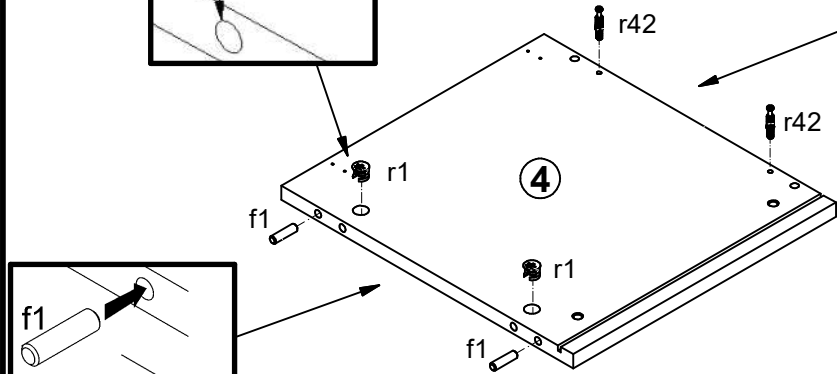
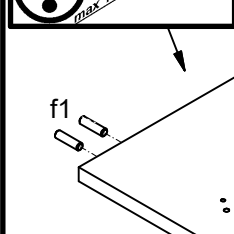
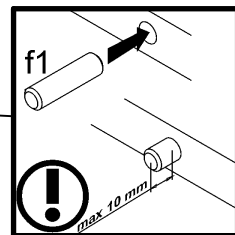
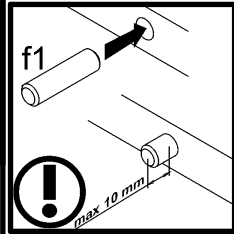
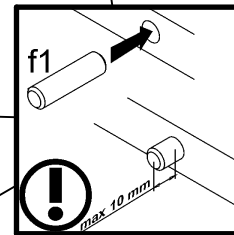
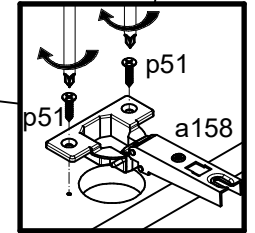
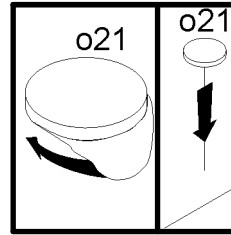
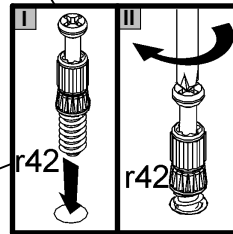
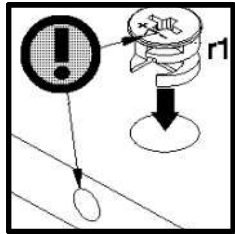
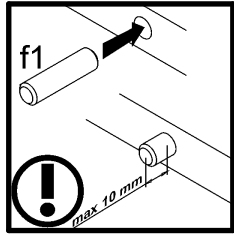


2x



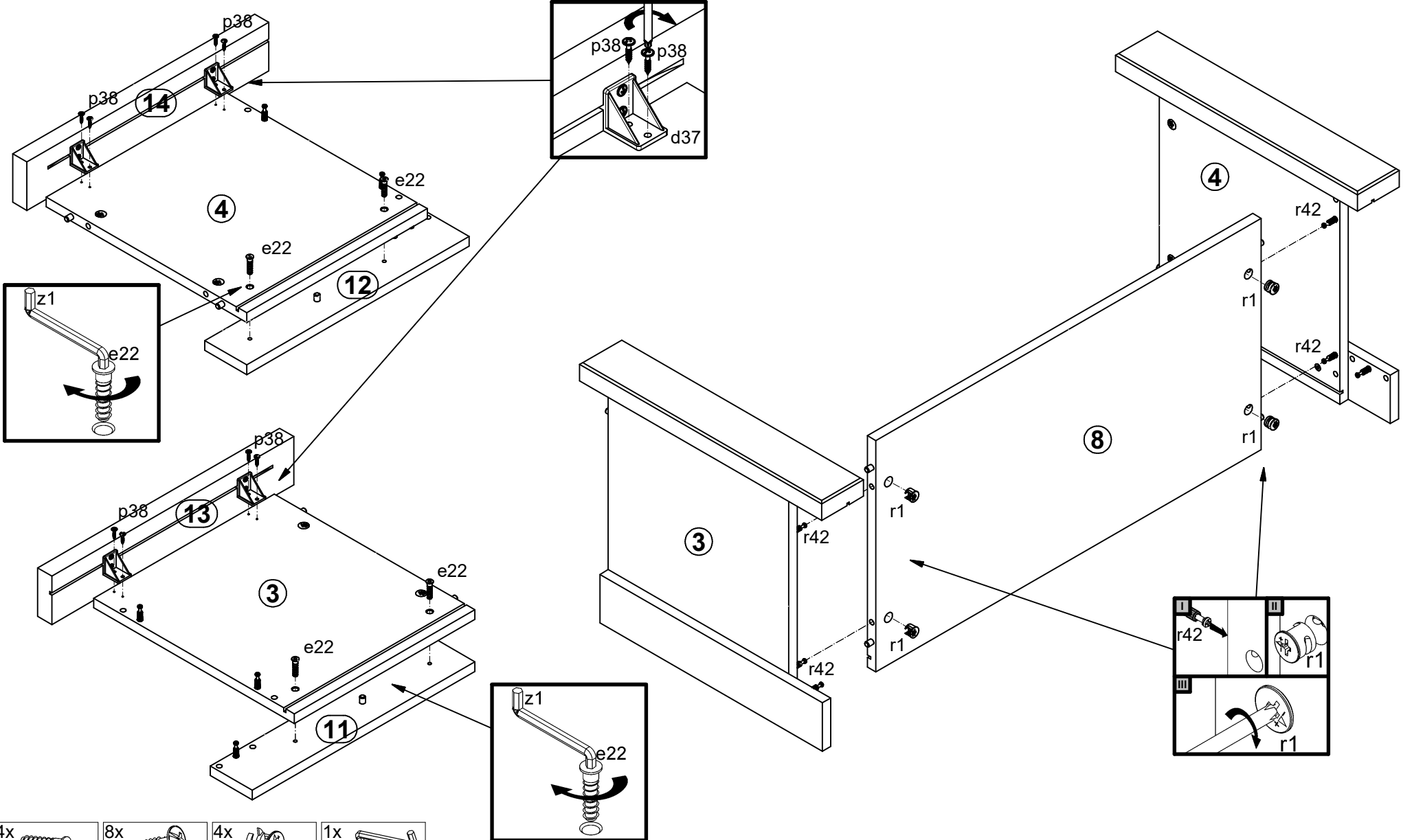
- 2x
- 4x
- 4x
- 8x
- 2x
- 8x
- 6x





2



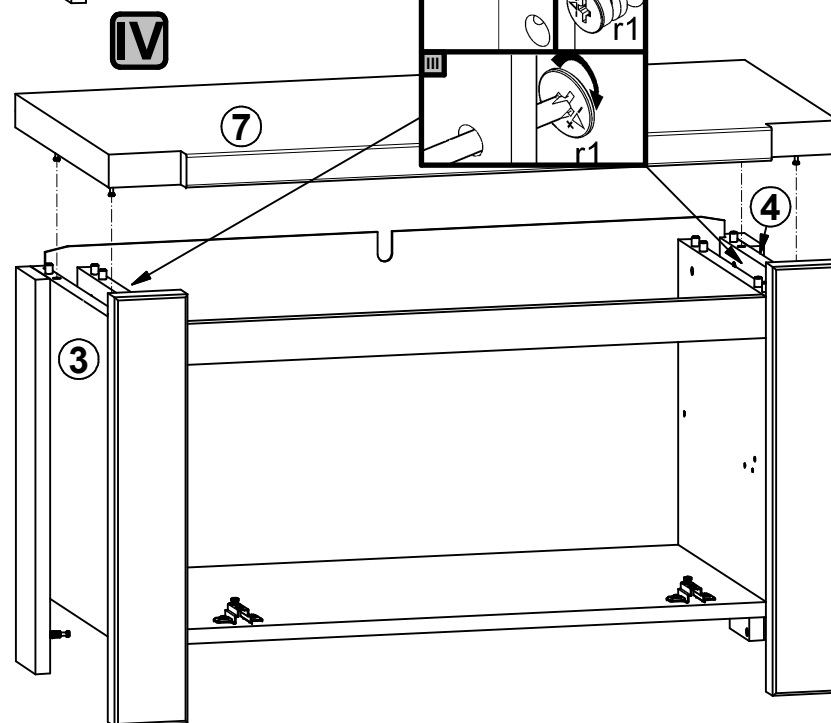
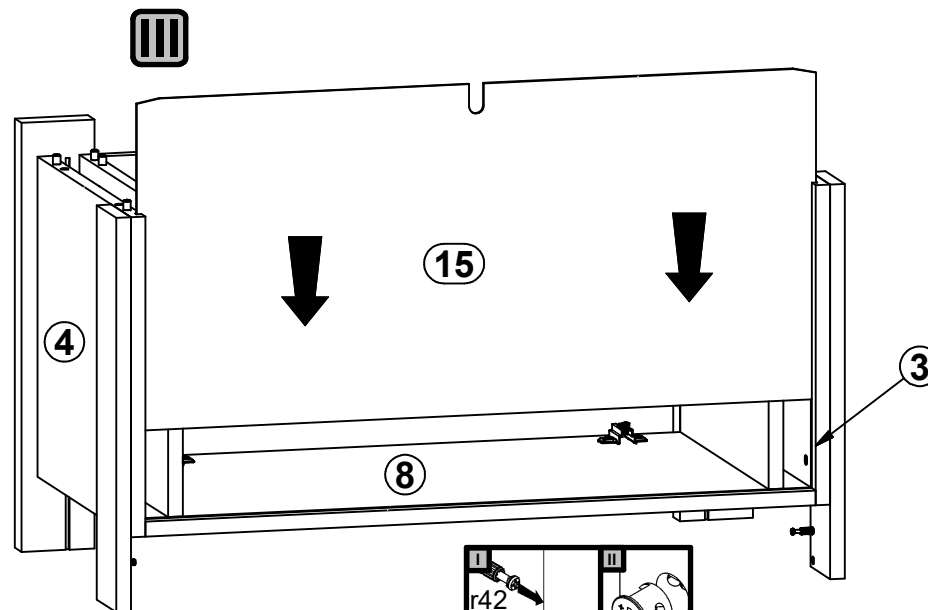
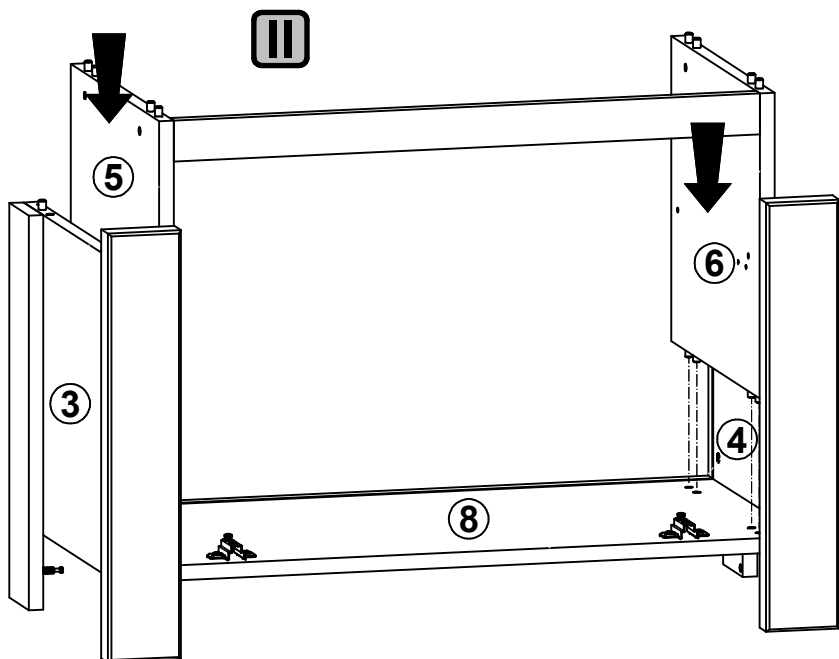
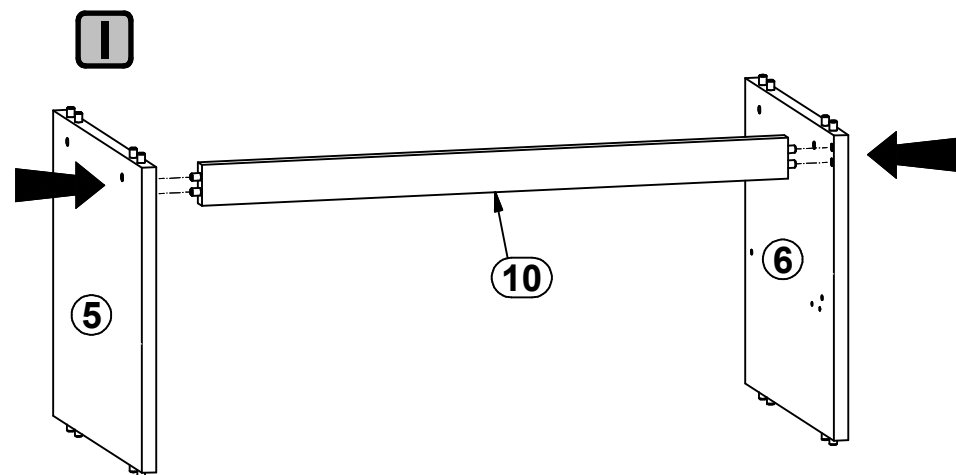
2x a158	24x f1 Ø8x30 mm	2x silikon o21
4x p51 Ø3.5x15 mm	4x r1 Ø15x12 mm #16	4x r42 20/11

3 

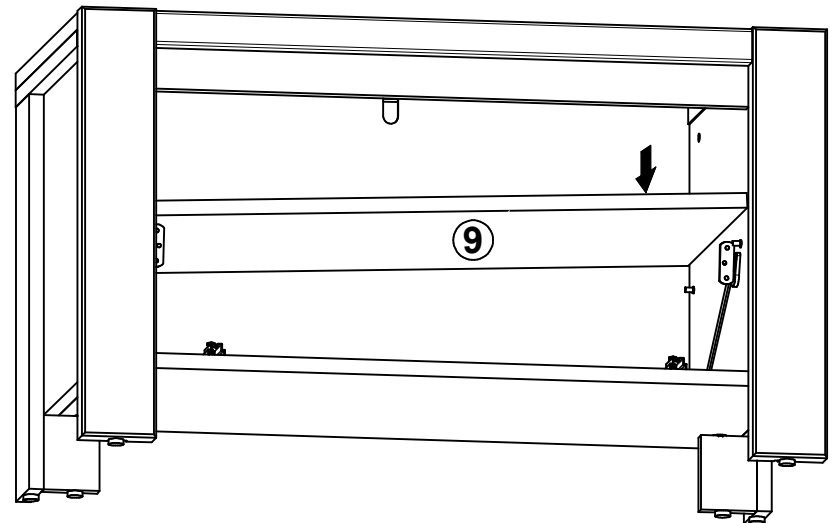
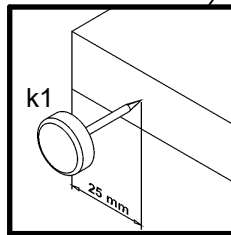
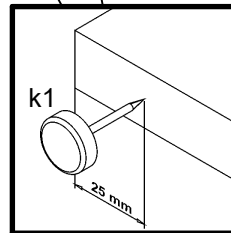
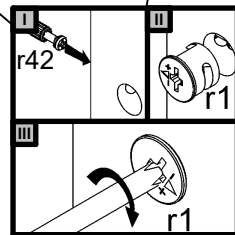
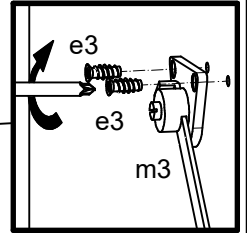
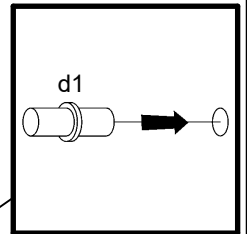
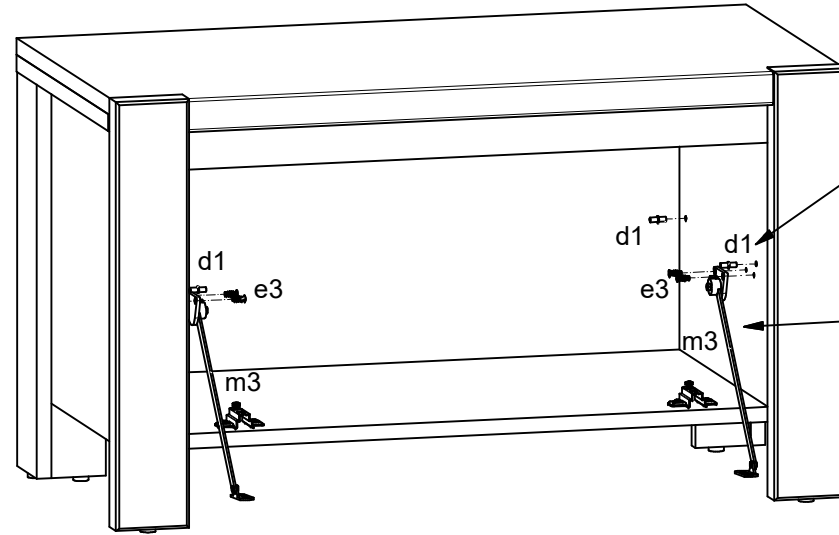
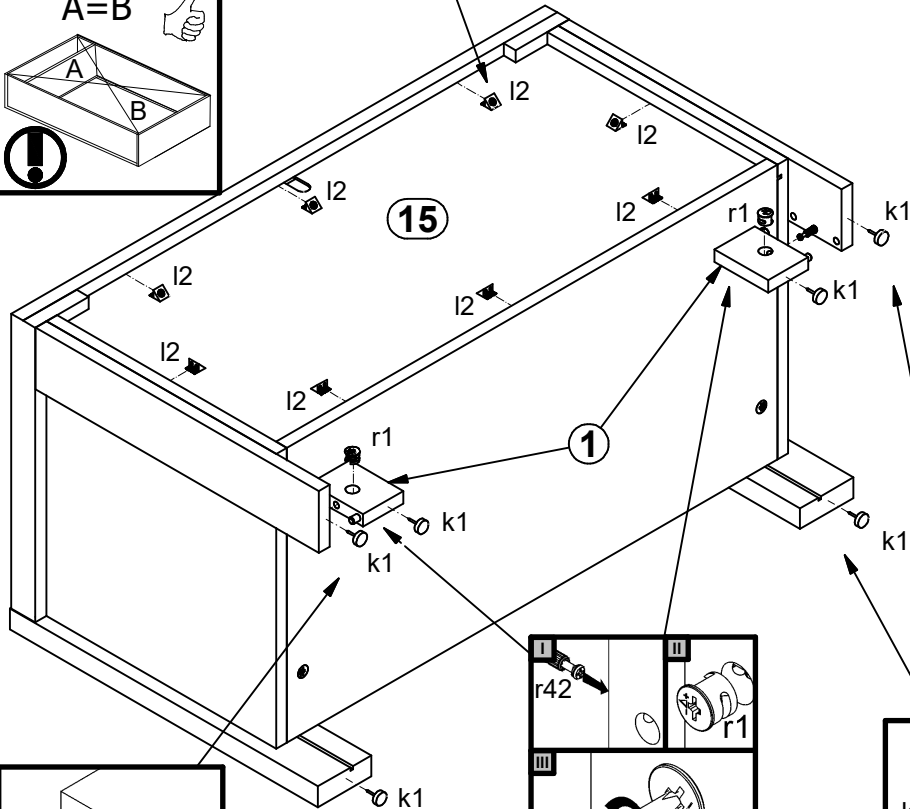
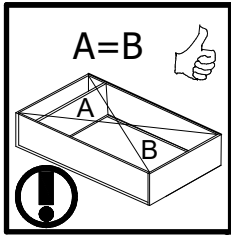
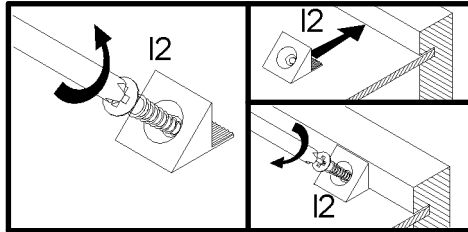


- 4x  **e22** Ø7x28 mm
- 8x  **p38** Ø3.5x16 mm
- 4x  **r1** Ø15x12 mm #16
- 1x  **z1** 4 mm

4

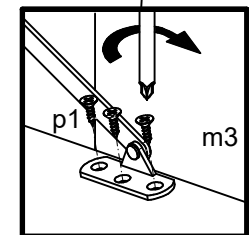
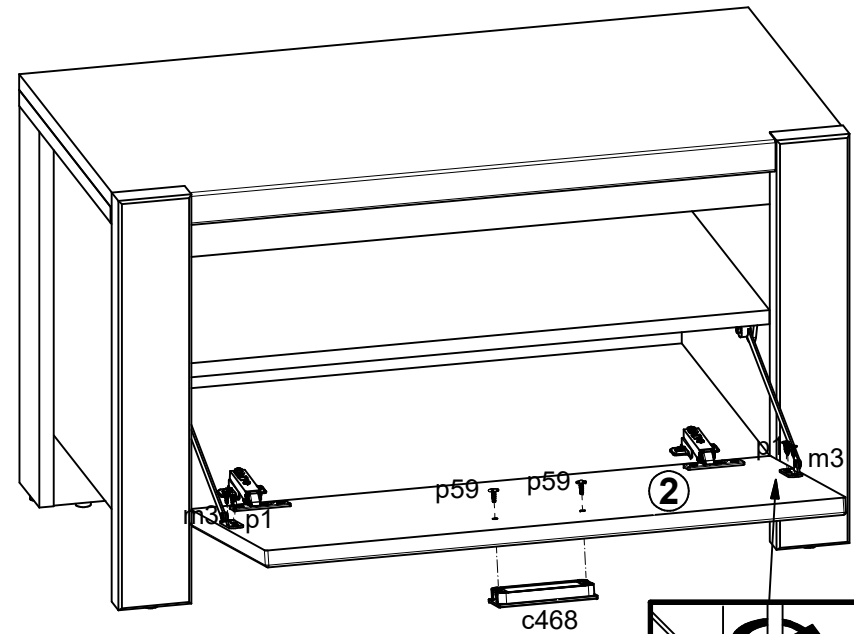
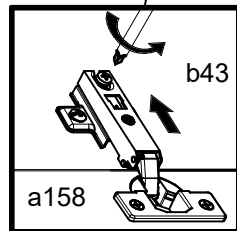
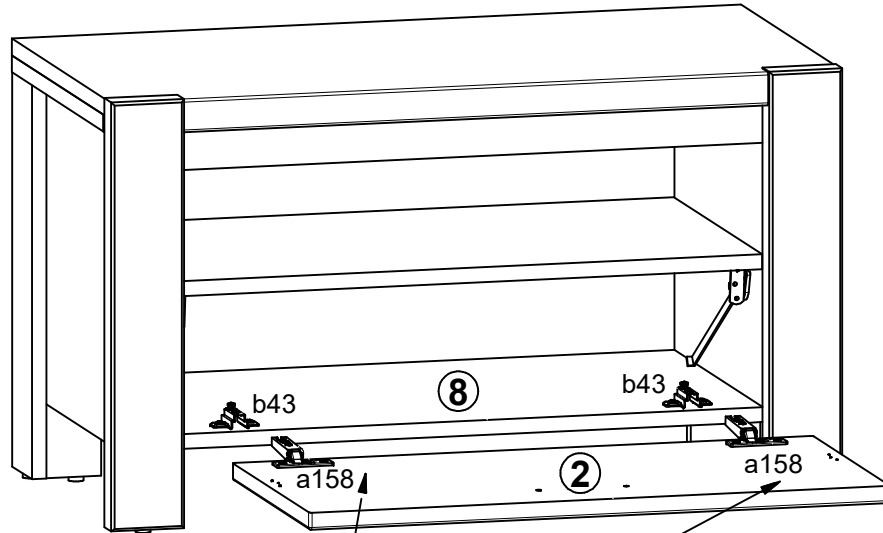
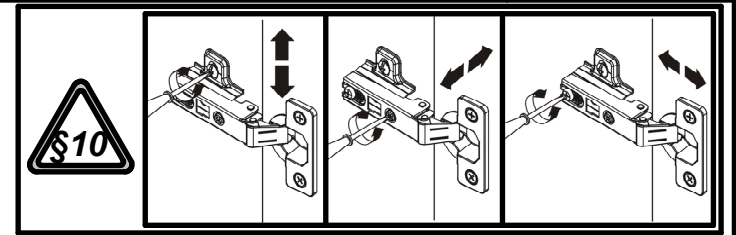





5



- 4x **d1** $\varnothing 5 \times 17 \text{ mm}$
- 4x **e3** $\varnothing 6 \times 13 \text{ mm}$
- 6x **k1**
- 8x **l2**
- 2x **m3** $L=236 \text{ mm}$
- 2x **r1** $\varnothing 15 \times 12 \text{ mm} \#16$

6



- 1x  **c468** 96 mm
- 6x  **p1** Ø3.5x13 mm
- 2x  **p59** Ø4x12 mm

7

